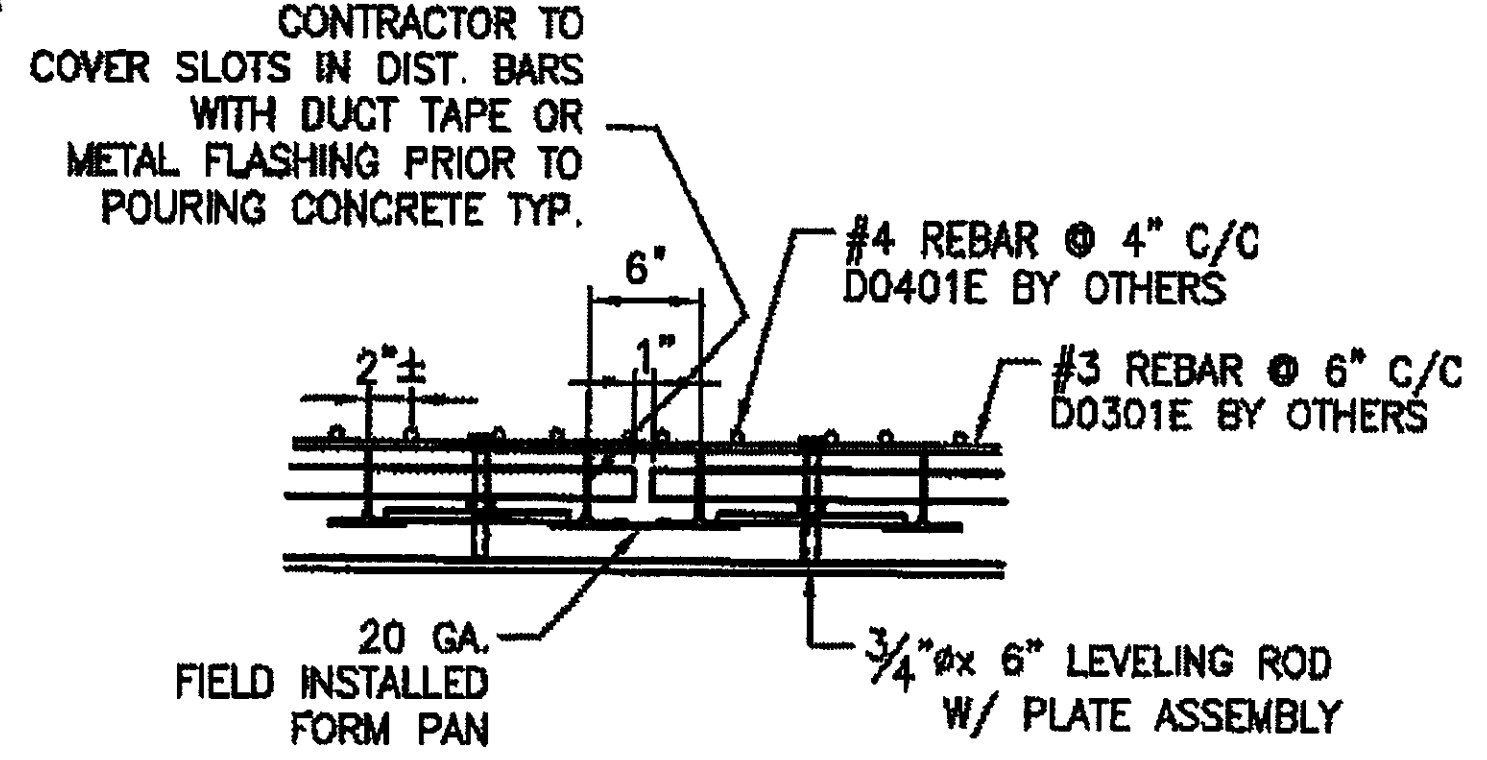
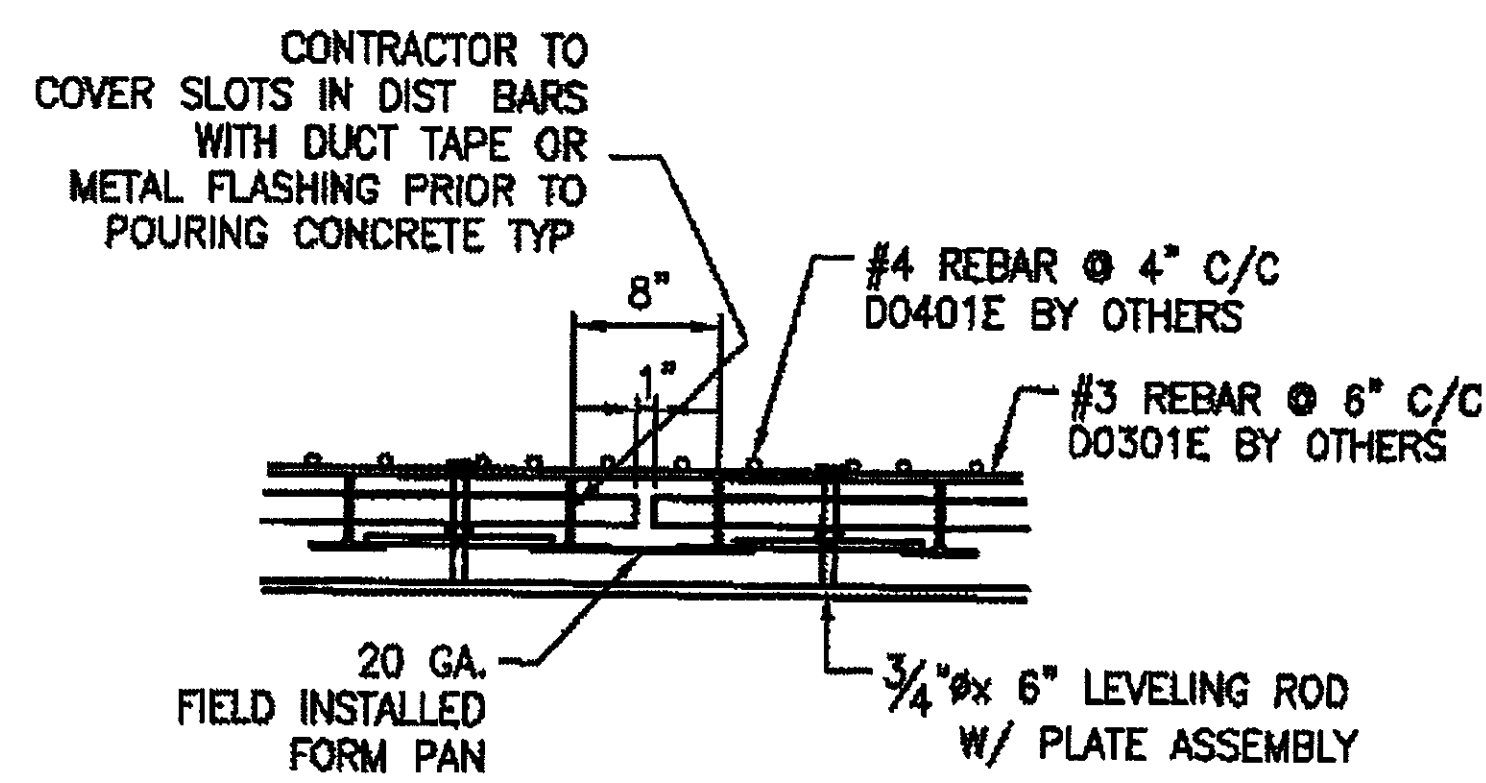


PLAN VIEW



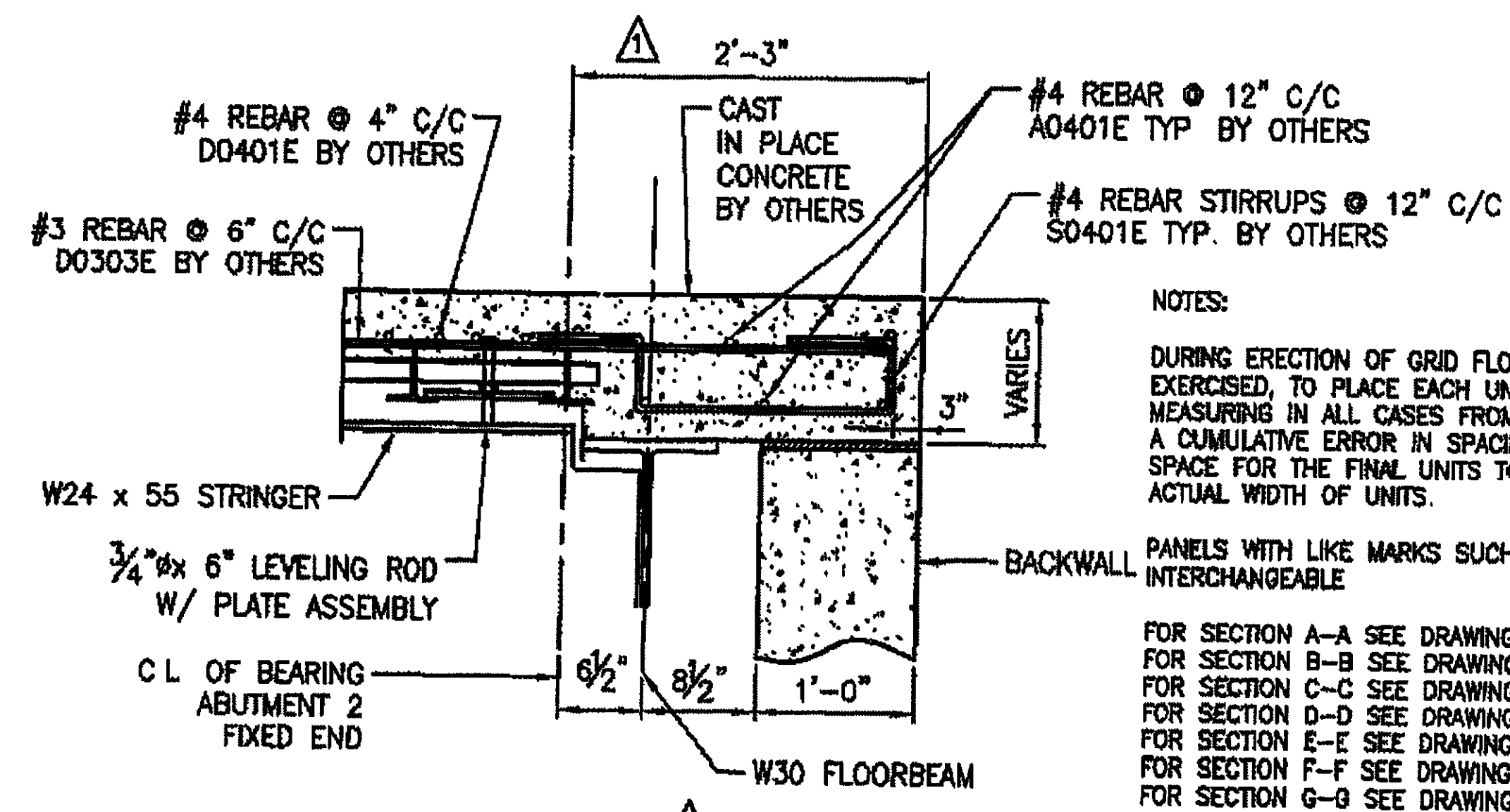
SECTION C-C

STRINGER HAUNCH NOT SHOWN
VERTICAL ZEES NOT SHOWN



SECTION E-E

STRINGER HAUNCH NOT SHOWN
VERTICAL ZEES NOT SHOWN



SECTION G-G

STRINGER HAUNCH NOT SHOWN
VERTICAL ZEES NOT SHOWN

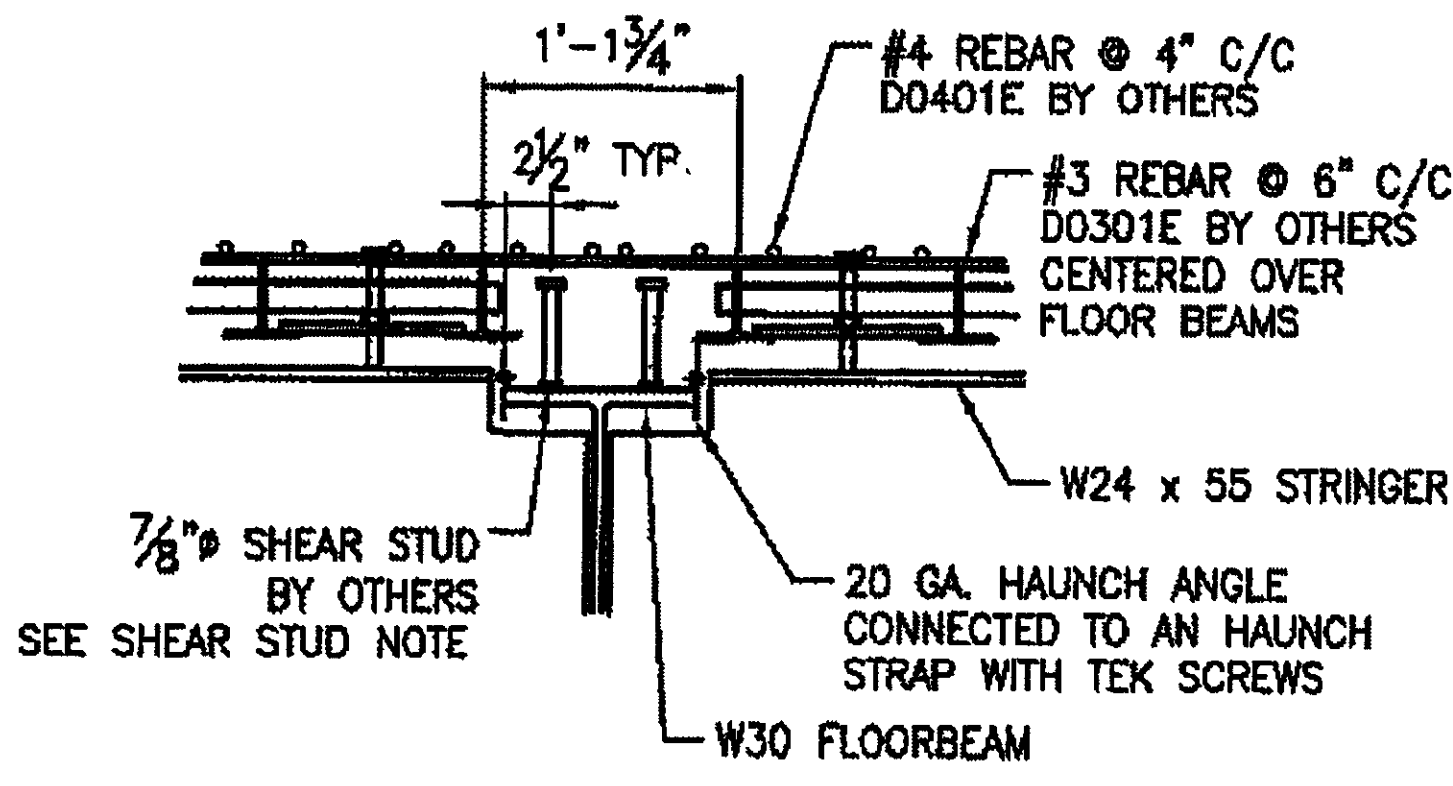
NOTES:

DURING ERECTION OF GRID FLOOR UNITS CARE MUST BE EXERCISED TO PLACE EACH UNIT IN ITS PROPER LOCATION, MEASURING IN ALL CASES FROM SOME FIXED POINT AS OTHERWISE A CUMULATIVE ERROR IN SPACING WILL APPEAR CAUSING THE SPACE FOR THE FINAL UNITS TO BE MORE OR LESS THAN THE ACTUAL WIDTH OF UNITS.

PANELS WITH LIKE MARKS SUCH AS D1 D2, ARE ALIKE AND INTERCHANGEABLE

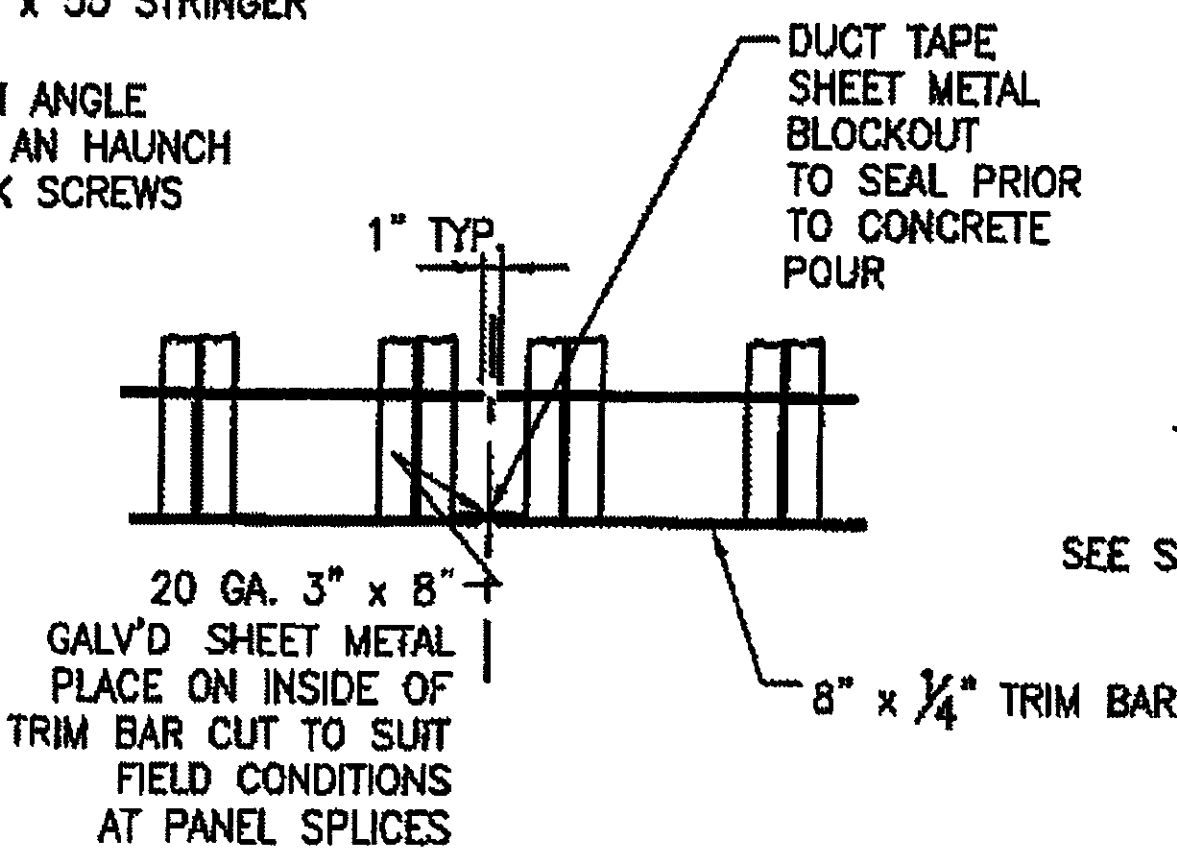
FOR SECTION A-A SEE DRAWING SHEET LB3
FOR SECTION B-B SEE DRAWING SHEET LB3
FOR SECTION C-C SEE DRAWING SHEET LB2
FOR SECTION D-D SEE DRAWING SHEET LB2
FOR SECTION E-E SEE DRAWING SHEET LB2
FOR SECTION F-F SEE DRAWING SHEET LB2
FOR SECTION G-G SEE DRAWING SHEET LB2
FOR DETAIL THREE SEE DRAWING SHEET LB2

PANEL IDENTIFICATION LETTER & NUMBER WELDED TO OUTSIDE FACE OF MAIN TEE STEM UPPER/LEFT HAND CORNER OF PANEL IN PLAN

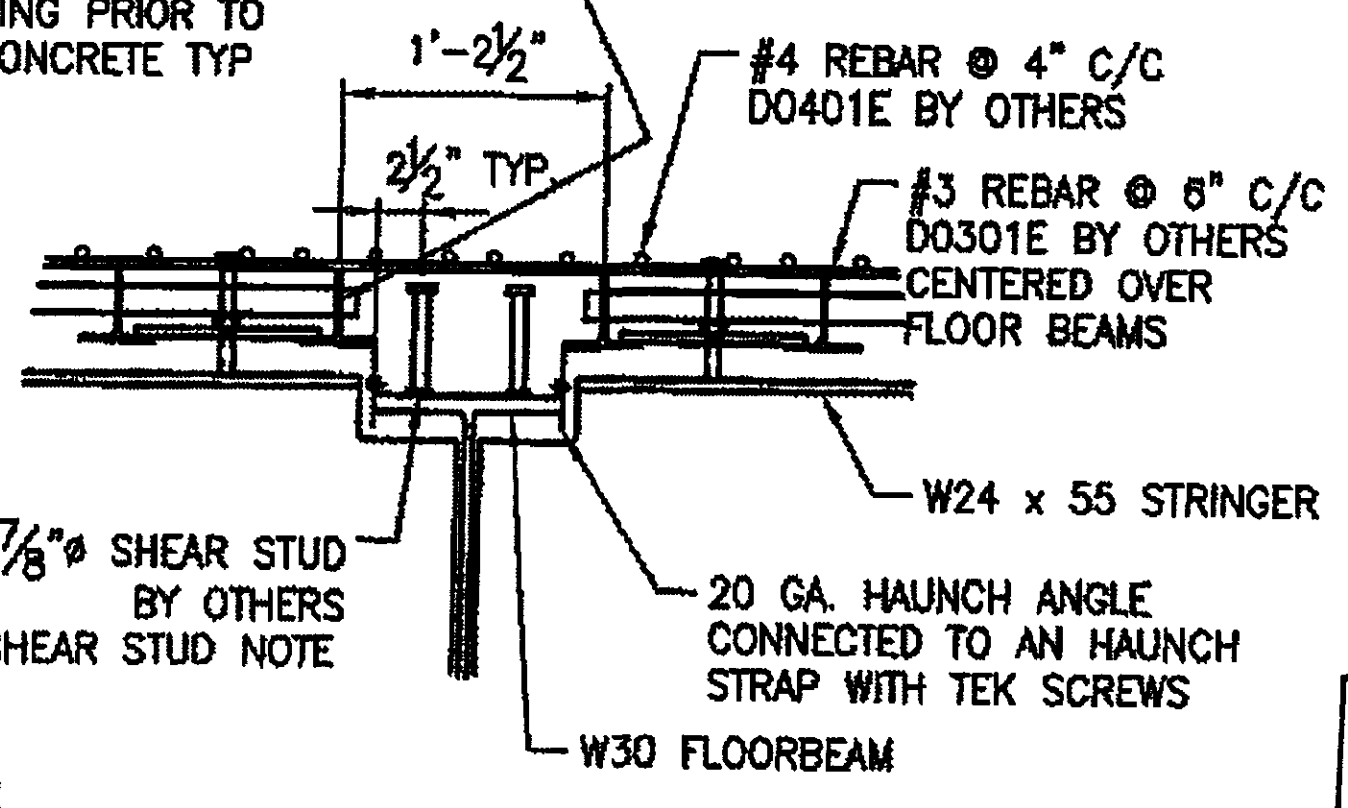


SECTION D-D

STRINGER HAUNCH NOT SHOWN
VERTICAL ZEES NOT SHOWN



DETAIL THREE



SECTION F-F

STRINGER HAUNCH NOT SHOWN
VERTICAL ZEES NOT SHOWN

LIFTING NOTES:

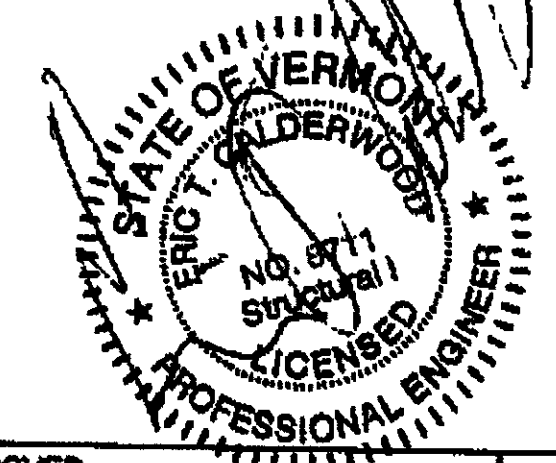
USE LIFTING POINT ADJACENT TO LEVELING DEVICE LOCATION. LIFT AT MIN. OF FOUR CORNERS. USES OF A RIDGED LIFTING BEAM THAT PICKS IN ONLY A VERTICAL DIRECTION IS RECOMMENDED

SHEAR STUDS SHOULD BE PLACED ONLY AFTER PANELS HAVE BEEN PLACED IN FINAL LOCATION.

#3 LONGITUDINAL REBARS ARE CENTERED OVER FLOOR BEAMS WITH A TYPICAL 2'-0" LAP OCCURRING OVER PANELS A1 AND A2 AND ALL E-MARKED PANELS.

DATE	3/2/09	BY	7/2/09
REVISIONS			

REV	DESCRIPTION	BY	DATE	CHECKED	DATE
1	REVISED PER INTERNAL CHECK & APPROVERS COMMENTS	B L J	02 05 09		



APPROVED:	
L. B. FOSTER CO.	
PITTSBURGH, PENNSYLVANIA 15220	
FOR: STATE OF VERMONT	
STATE OF VERMONT AGENCY OF TRANSPORTATION	
TOWN OF RICHMOND HIGHWAY T.H.#1 BRIDGE #31	
TOWN HIGHWAY #1 OVER WINOOSKI RIVER BHF 0209(5)	
PLAN VIEW AND SECTION DETAILS	
DATE	01/27/09
PROJECT NO.	SDD285
DATE	02/04/09
REVISION	LB2
REV. NO.	1

REMOVED NOTE: