

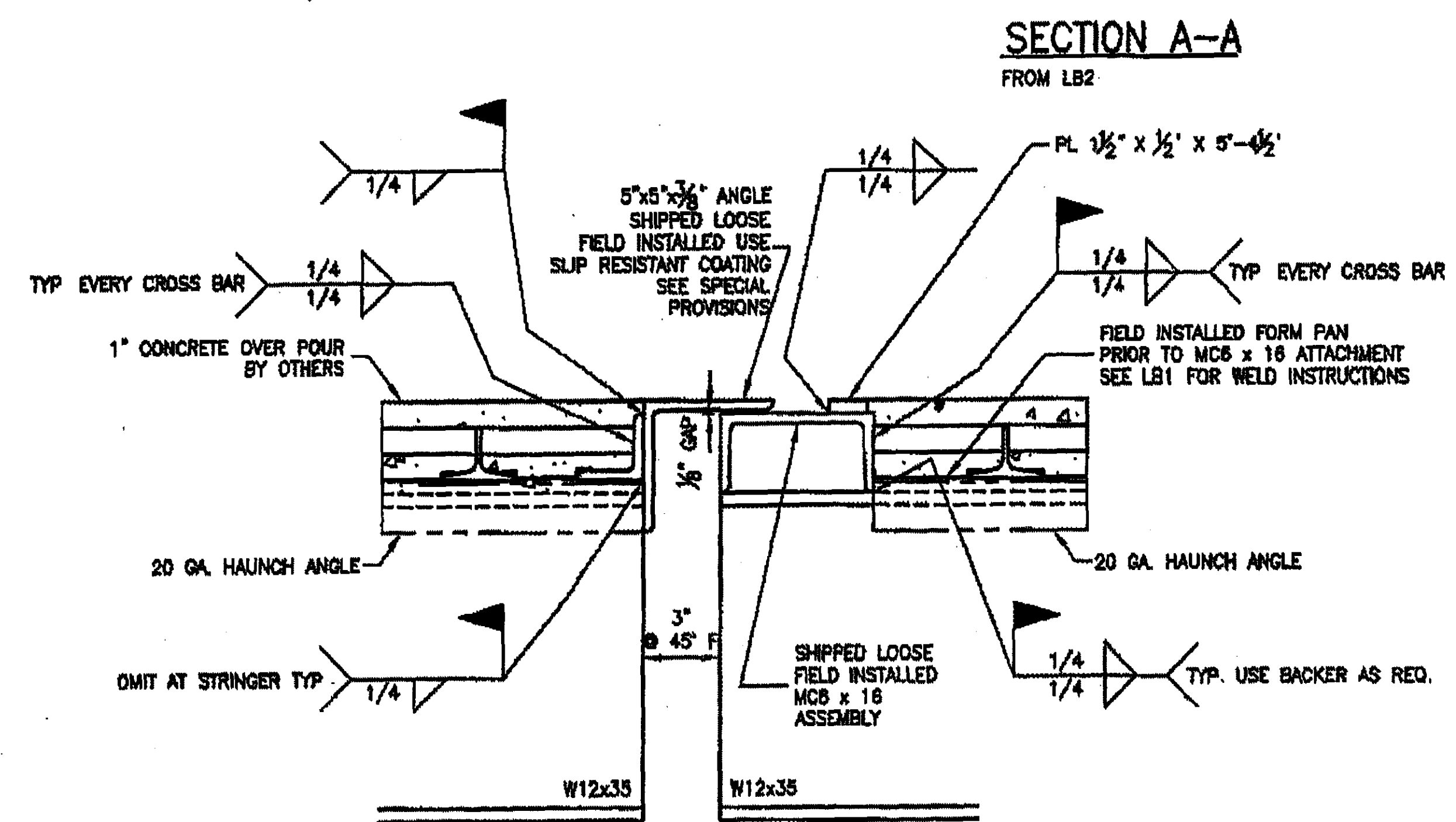
NO EXCEPTION TAKEN
 REVISED AS NOTED
 PERMISSON NOT REQUIRED
 REVISED AS NOTED
 PERMISSON NOT REQUIRED
 REVISED AS NOTED
 PERMISSON NOT REQUIRED
 DATE: 3/2/9
 SIGNATURE: [Signature]

ENLARGED HAUNCH DETAIL

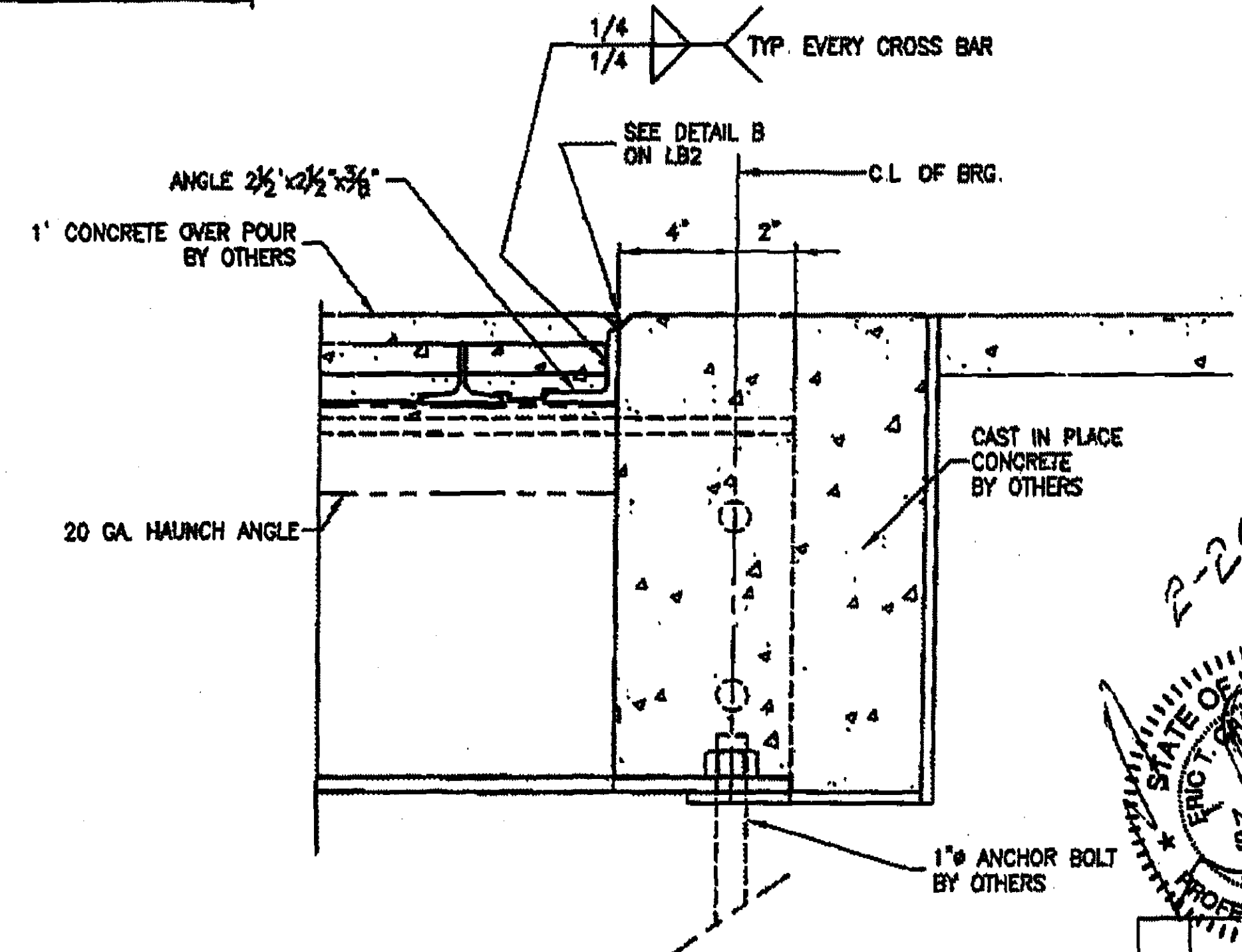
SHEAR STUDS NOT SHOWN

SHIPPING LIST

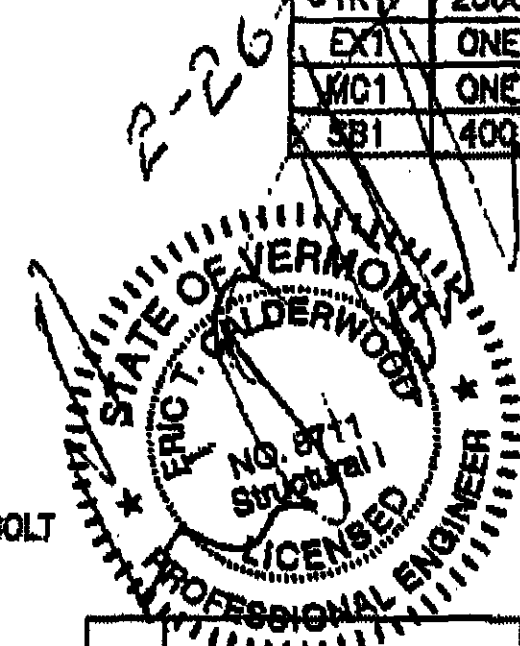
| PIECE MARK | NO. REQ'D. | DESCRIPTION | LENGTH | | REMARKS |
|------------|------------|------------------------------|--------|--------|------------------|
| | | | FT. | IN. | |
| A1/A23 | 23 | 2" TEE PANEL 5'-4 1/2" | 9 | 5 3/4 | GALV'D. |
| B | ONE | 2" TEE PANEL 5'-4 1/2" | 5 | 7 | GALV'D. |
| C | ONE | 2" TEE PANEL 5'-4 1/2" | 5 | 7 | GALV'D. |
| D | ONE | 2" TEE PANEL 5'-4 1/2" | 8 | 10 | GALV'D. |
| E | ONE | 2" TEE PANEL 5'-4 1/2" | 8 | 10 1/4 | GALV'D. |
| FP500 | 25 | 20 GA. FIELD PANS 2 1/2" | 2 | 1/4 | GALV'D. |
| FP600 | 25 | 20 GA. FIELD PANS 2 1/2" | 3 | 2 1/2 | GALV'D. |
| FP700 | 25 | 20 GA. FIELD PANS 2 1/2" | 10 | 1/4 | GALV'D. |
| FP800 | ONE | 20 GA. FIELD PANS 4 3/8" | 2 | 1/4 | GALV'D. |
| FP900 | ONE | 20 GA. FIELD PANS 4 3/8" | 3 | 2 1/2 | GALV'D. |
| FP110 | ONE | 20 GA. FIELD PANS 4 3/8" | 10 | 1/4 | GALV'D. |
| SP4 | 500 | 20 GA. GALV'D. HAUNCH STRAP | 8 | 1/2 | ALONG STRINGERS |
| HA4 | 147 | 20 GA. GALV'D. HAUNCH ANGLES | 8 | 6 | ALONG STRINGERS |
| LR1 | 108 | 5/8" LEVELING ROD w/NUT | 3 | 15/16 | GALV'D. |
| TKA | 2500 | SMD 8-18 HWH #4 ZINC PLATED | 1/2 | | SHIP TO JOB SITE |
| EX1 | ONE | EXPANSION ANGLE 5x5x 3/8" | 5 | 4 1/2 | GALV'D. |
| MC1 | ONE | MCB x 18 w/ STOP PL. | 5 | 4 1/2 | GALV'D. |
| SB1 | 400 | 3" x 3/8" x 5/8" BAR | | | CROSSBAR SPLICE |



SECTION C-C
FROM LB2



SECTION E-E
FROM LB2



APPROVED: _____
L. B. FOSTER CO.
 PITTSBURGH, PENNSYLVANIA 15220
 FOR: STATE OF VERMONT
 STATE OF VERMONT AGENCY OF TRANSPORTATION
 TOWN OF RICHMOND HIGHWAY T.H.#1 BRIDGE #31
 TOWN HIGHWAY #1 OVER WINOOSKI RIVER RIF 0208(5)
 2" TEE GRID GENERAL NOTES AND TYPICAL DETAILS
 DATE: 01/23/09 JOB NO. S00284
 DATE: 02/04/09 DRAWING NO. LB3

| REV. | DESCRIPTION | BY | CHK | DATE |
|------|-------------|----|-----|------|
| | | | | |