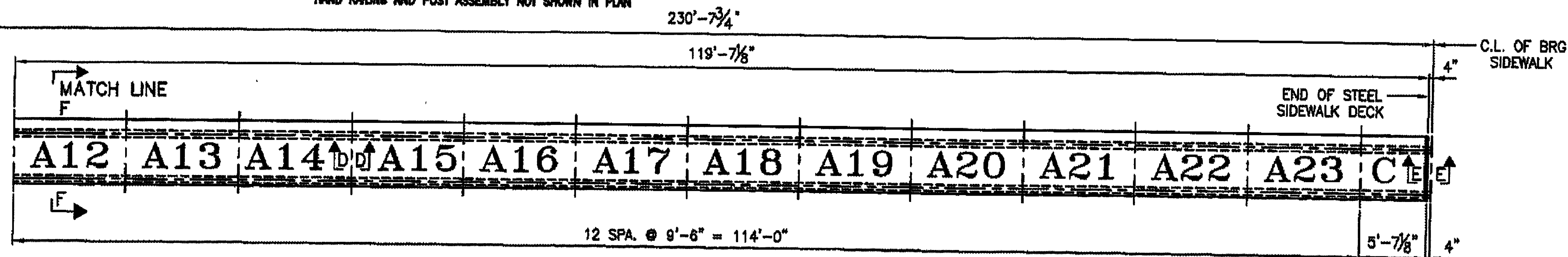


PLAN VIEW
HAND RAILING AND POST ASSEMBLY NOT SHOWN IN PLAN



PLAN VIEW
HAND RAILING AND POST ASSEMBLY NOT SHOWN IN PLAN

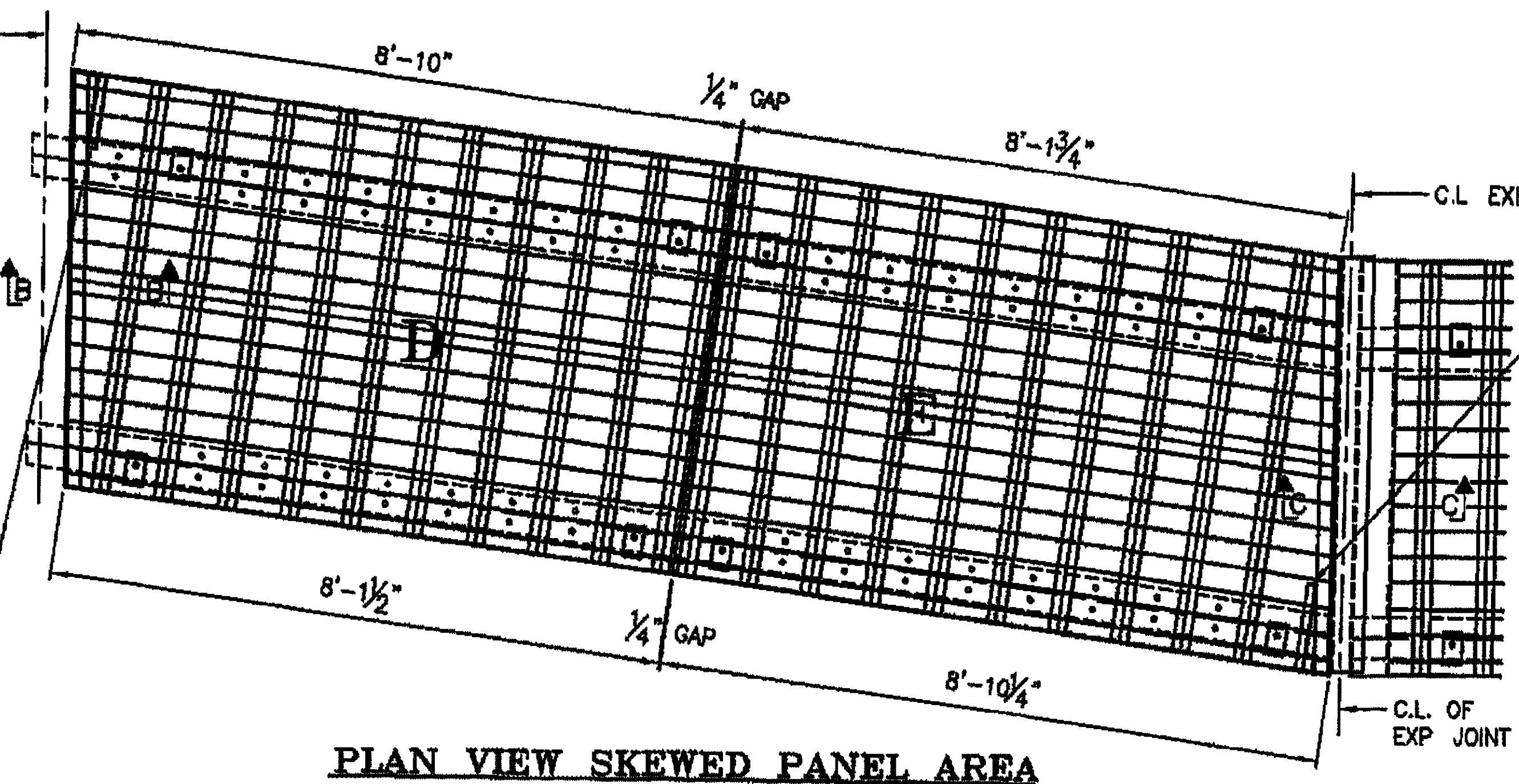
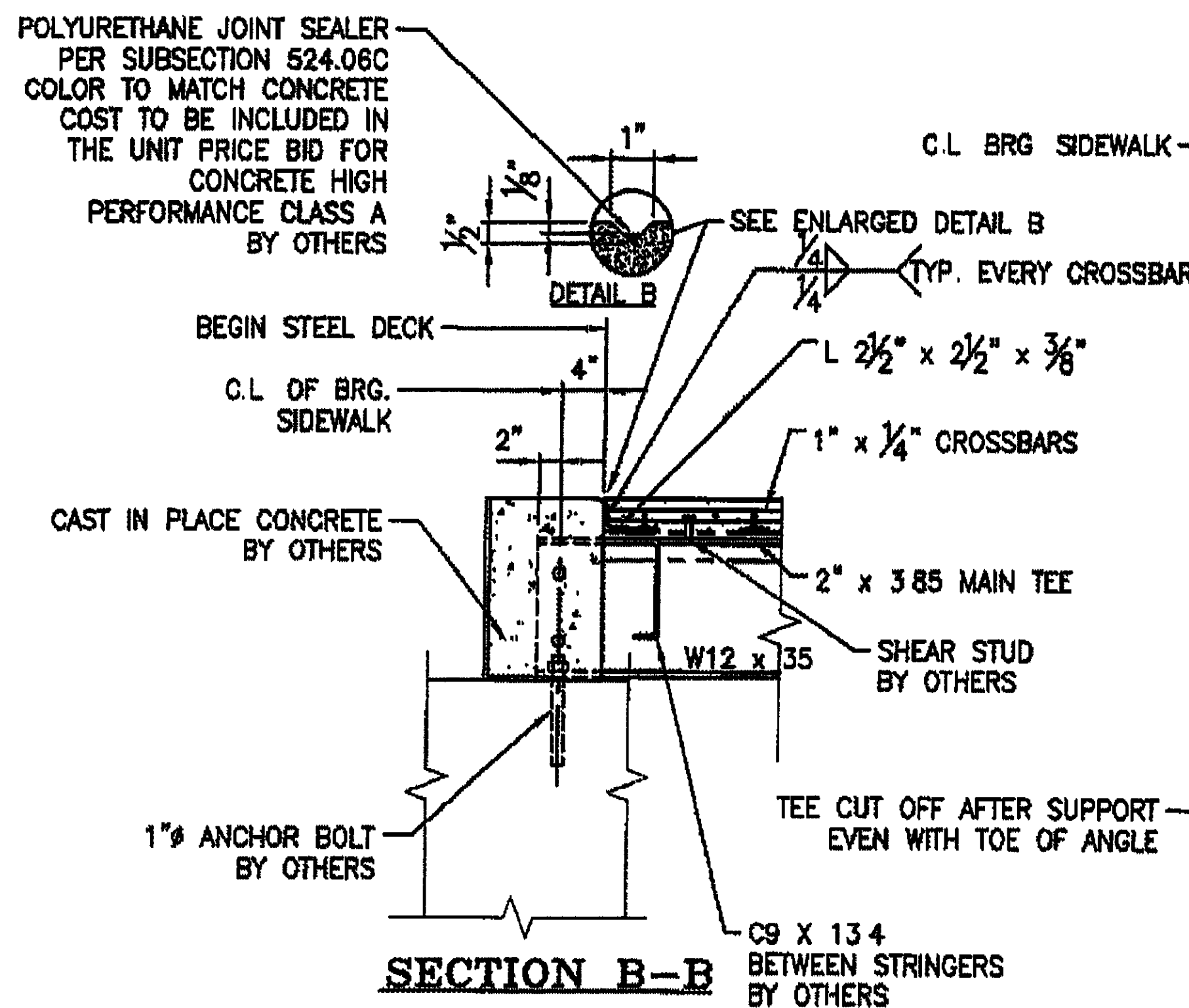
NOTES:

DURING ERECTION OF GRID FLOOR UNITS, CARE MUST BE EXERCISED, TO PLACE EACH UNIT IN ITS PROPER LOCATION, MEASURING IN ALL CASES FROM SOME FIXED POINT AS OTHERWISE A CUMULATIVE ERROR IN SPACING WILL APPEAR CAUSING THE SPACE FOR THE FINAL UNITS TO BE MORE OR LESS THAN THE ACTUAL WIDTH OF UNITS.

PANELS WITH LIKE MARKS SUCH AS A1, A2 ARE ALIKE AND INTERCHANGEABLE.

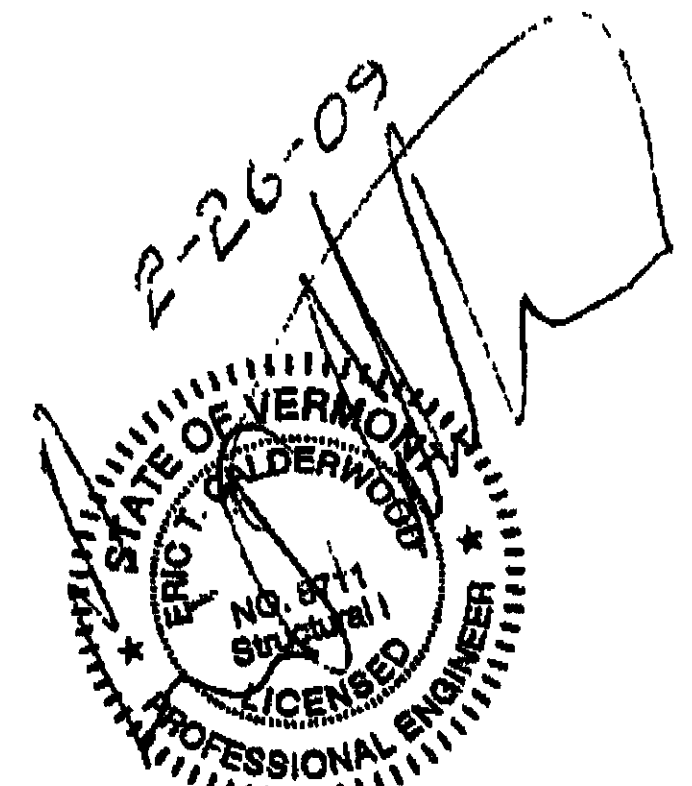
FOR SECTION A-A SEE DRAWING SHEET LB3
FOR SECTION B-B SEE DRAWING SHEET LB2
FOR SECTION C-C SEE DRAWING SHEET LB3
FOR SECTION D-D SEE DRAWING SHEET LB1
FOR SECTION E-E SEE DRAWING SHEET LB3

PANEL IDENTIFICATION LETTER / NUMBER WELDED TO OUTSIDE FACE OF MAIN TEE STEM LOWER RIGHT HAND CORNER OF PANEL IN PLAN.



PLAN VIEW SKEWED PANEL AREA
HAND RAILING AND POST ASSEMBLY NOT SHOWN IN PLAN
FORM PANS NOT SHOWN IN PLAN

NO EXCEPTION TAKEN	<input checked="" type="checkbox"/>
DESIGN APPROVED	<input checked="" type="checkbox"/>
PERMISSION NOT REQUIRED	<input checked="" type="checkbox"/>
REVISION AS NOTED	<input checked="" type="checkbox"/>
PERMISSION REQUIRED	<input type="checkbox"/>
REJECTED	<input type="checkbox"/>
DATE	3/1/17
SIGNATURE	ZLK



APPROVED: _____ DATE: _____

L. B. FOSTER CO.
GENERAL OFFICE
PITTSBURGH, PENNSYLVANIA 15220

FOR: STATE OF VERMONT
STATE OF VERMONT AGENCY OF TRANSPORTATION
TOWN OF RICHMOND HIGHWAY T.H.#1 BRIDGE #31
TOWN HIGHWAY #1 OVER WINDOSKI RIVER BHF 0208(5)
BRIDGE PLAN VIEW