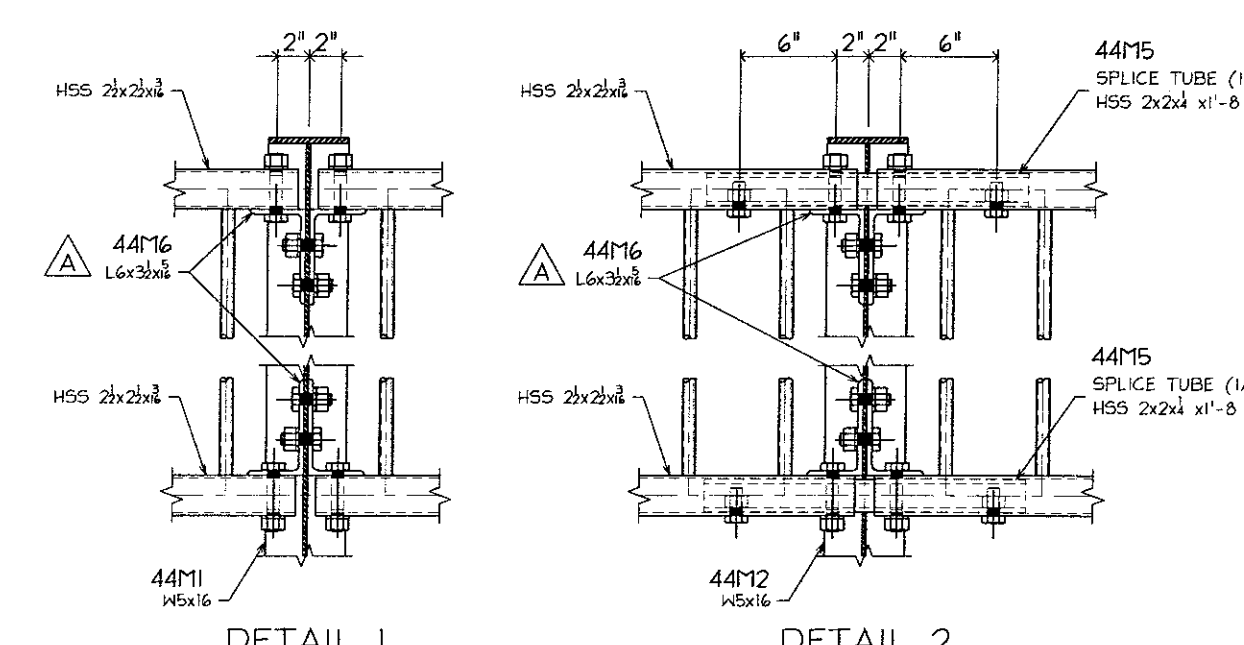
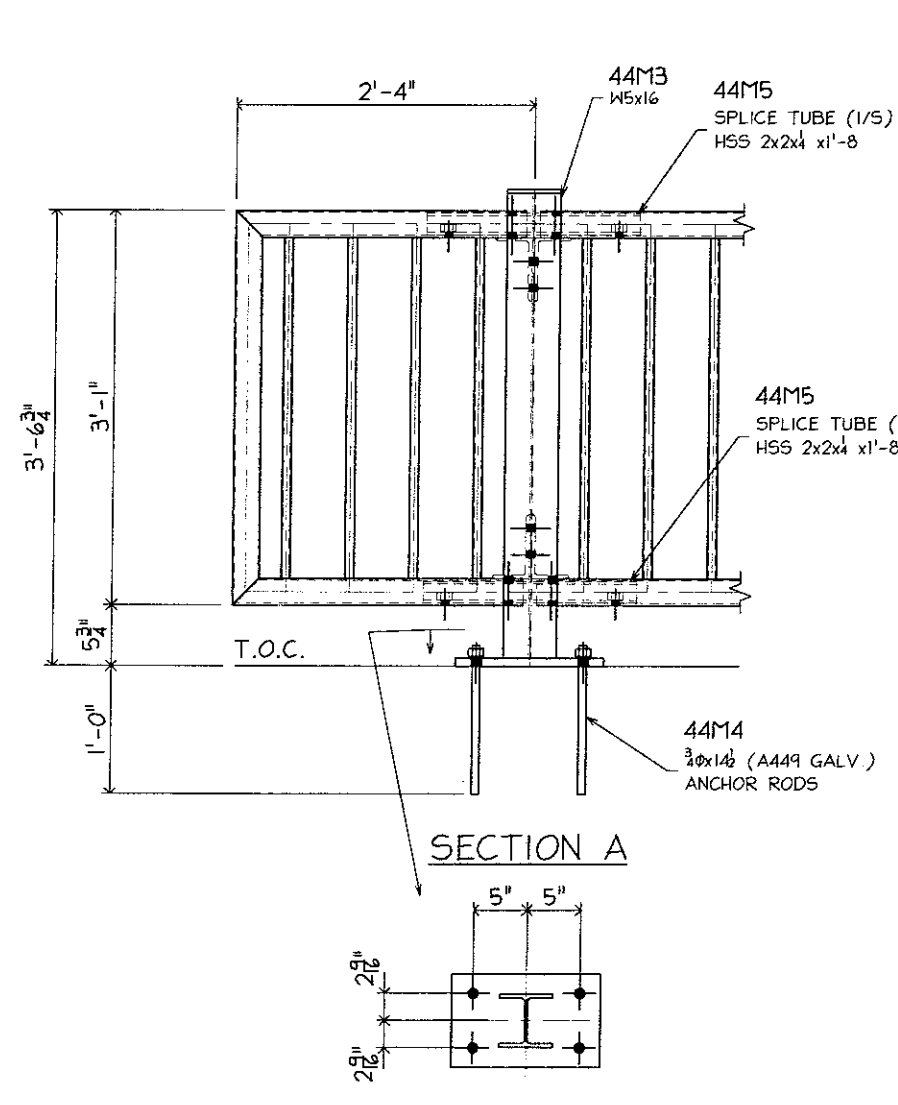
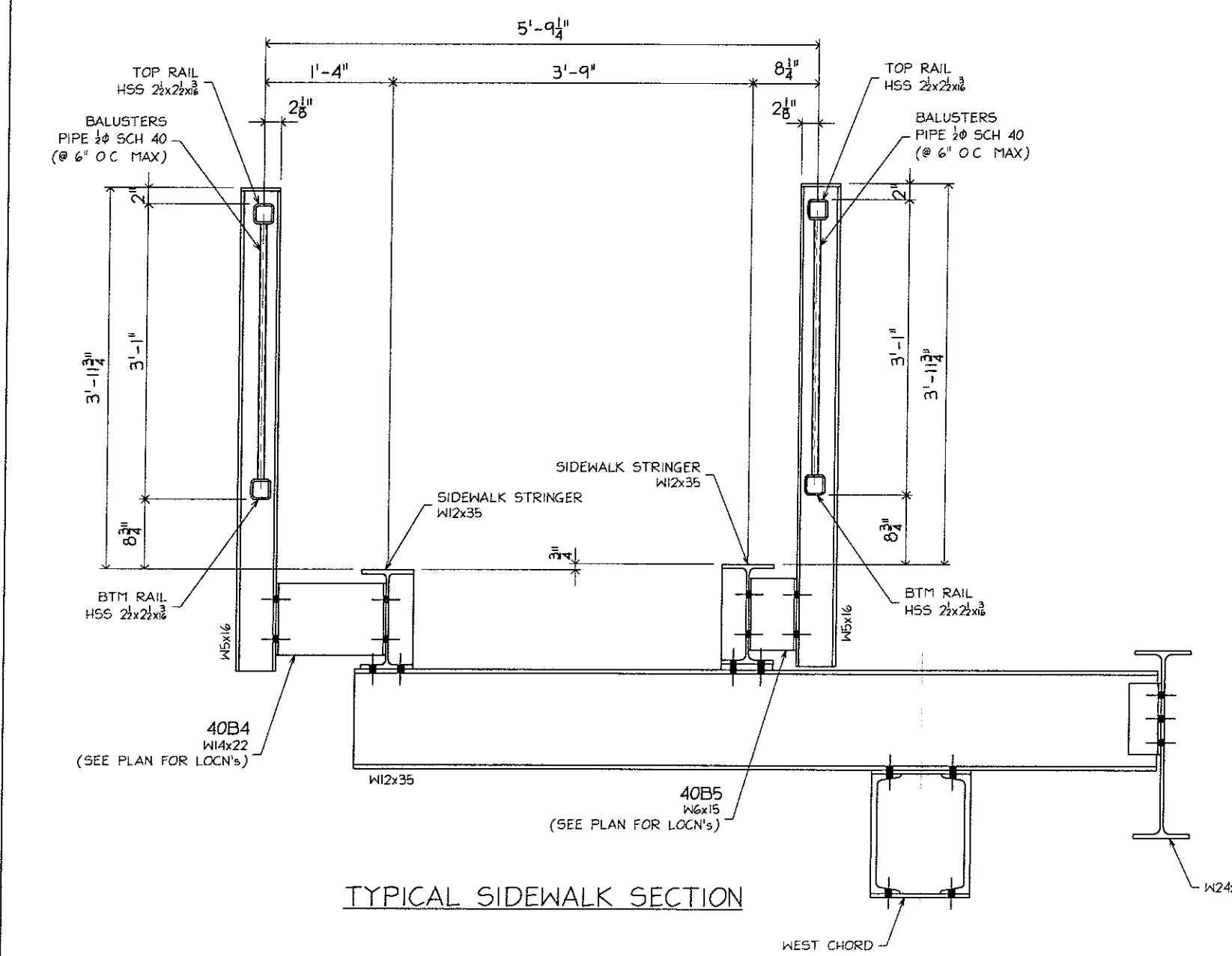


PARTIAL PLAN @ PEDESTRIAN RAILS



1. ALL DIMENSIONS ARE UNLESS OTHERWISE NOTED. 2. ALL DIMENSIONS ARE IN FEET AND INCHES. 3. ALL DIMENSIONS ARE TO FACE UNLESS OTHERWISE NOTED. 4. ALL DIMENSIONS ARE TO CENTERLINE UNLESS OTHERWISE NOTED. 5. ALL DIMENSIONS ARE TO SURFACE UNLESS OTHERWISE NOTED. 6. ALL DIMENSIONS ARE TO CENTERLINE UNLESS OTHERWISE NOTED. 7. ALL DIMENSIONS ARE TO SURFACE UNLESS OTHERWISE NOTED. 8. ALL DIMENSIONS ARE TO CENTERLINE UNLESS OTHERWISE NOTED. 9. ALL DIMENSIONS ARE TO SURFACE UNLESS OTHERWISE NOTED. 10. ALL DIMENSIONS ARE TO CENTERLINE UNLESS OTHERWISE NOTED.	DATE: 4/2/09 DRAWN BY: JJK CHECKED BY: JJK SUBMITTED:
--	--

3/30/09 PER APPL COMMENTS DATED 3/17/09 3/11/09 REV'D RAIL-POST CONN'S	<b>ARC ENTERPRISES, INC.</b> <b>KINGFIELD, MAINE</b>
PROJECT: STATE OF VERMONT - AGENCY OF TRANSPORTATION BRIDGE No 31 - RICHMOND, VERMONT	SCALE: NTS APPROVED BY: DRAWN BY: KAJ DATE: 2/18/09 CHKD. BY: CMO5/082
BRIDGE @ HIGHWAY #1 OVER WINOOSKI RIVER PEDESTRIAN RAILING LAYOUT	T. BUCK CONSTRUCTION DWG. NO. 08-113 - E7