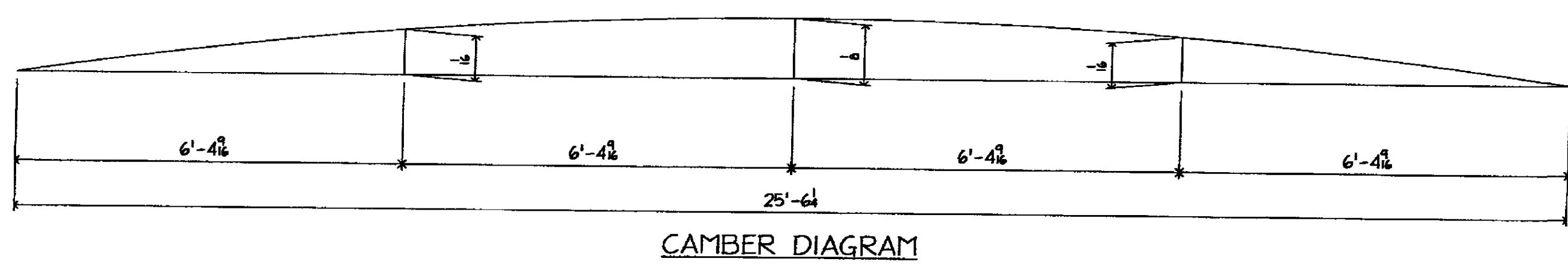
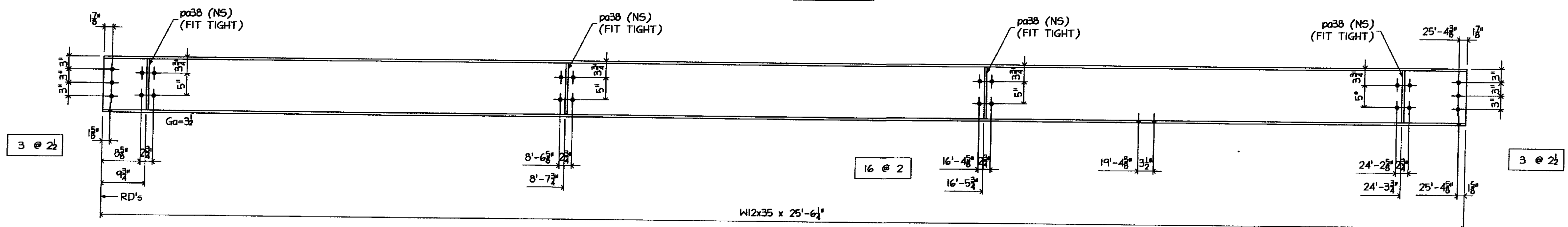
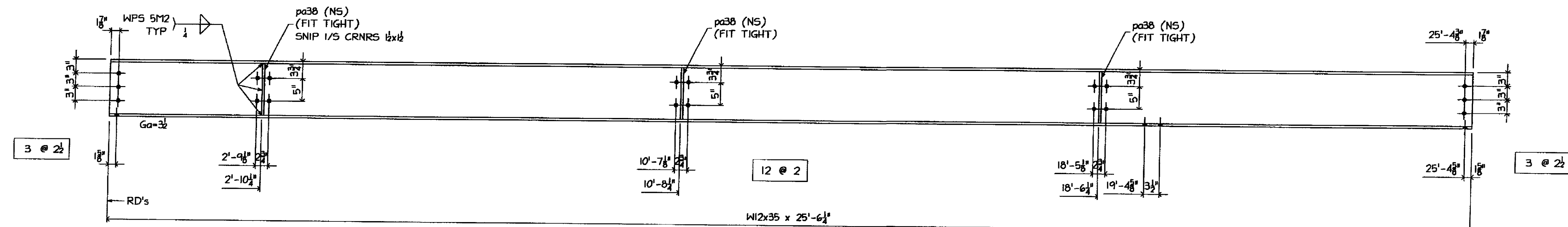


BILL OF MATERIAL							
MARKS	SHIP TEMP	QTY	MATERIAL	FT	IN	GR	REMARK'S
38B1		ONE	W12x35	25	6 1/8		
		3	R3 x 3	0	11 1/8		SHAPED
38B2		ONE	W12x35	25	6 1/8		
		3	R3 x 3	0	11 1/8		SHAPED
38B3		ONE	W12x35	25	6 1/8		
		4	R3 x 3	0	11 1/8		SHAPED
38B4		ONE	W12x35	25	6 1/8		
		4	R3 x 3	0	11 1/8		SHAPED



SHOP DRAWINGS ARE REVIEWED UNLESS NOTED OTHERWISE

NO EXCEPTION TAKEN	X
REVISIONS NOTED	
RESUBMISSION NOT REQUIRED	
REVISIONS NOTED	
RESUBMISSION REQUIRED	
REJECTED	

DATE: 3/24/09

SIGNATURE: ZEE

REVIEW BY STANTEC IS FOR THE SOLE PURPOSE OF ASCERTAINING GENERAL CONFORMITY WITH DESIGN. CONTRACTOR IS RESPONSIBLE FOR DIMENSIONS, FABRICATION AND CONSTRUCTION METHODS, COORDINATION OF SUB-TRADES, DETAIL DESIGN OF COMPONENTS AND ERRORS OR OMISSIONS ON SHOP DRAWINGS.

GALVANIZING NOTES

- ALL WELDS SHALL BE SEALED
- VENT AS REQUIRED
- COMPLETE FINAL ASSEMBLY OF BOLTED ITEMS AFTER GALVANIZING. WIRE-BRUSH ALL CONTACTING SURFACES TO A DULL-GRAY APPEARANCE PRIOR TO ASSEMBLY

FB THIS DWG

56- 7/8" x 2 (A325 GALV) BOLT w/NHW

24- 3/8" x 2 (A325 GALV) BOLT w/NHW

MATL:

- ALL MAT'L SHALL CONFORM TO AASHTO M 270/M 170 GRADE 50 (UNLESS NOTED)
- 'CVN' INDICATES CHARPY 'V' NOTCH TESTED.
- 'FCM' INDICATES 'FRACTURE CRITICAL MEMBER'

WELD: E70xx

HOLES: 1/2" UNO

PREP: SSPC-SP8

PAINT: GALVANIZED AND AIR COOLED (NOT QUENCHED) (SEE GALVANIZING NOTES)

3/11/09 PER APP'L COMMENTS DATED 3/06/09

ARC ENTERPRISES, INC.
KINGFIELD, MAINE

PROJECT: STATE OF VERMONT - AGENCY OF TRANSPORTATION
BRIDGE No 31 - RICHMOND, VERMONT

SCALE: NTS APPROVED BY: DRAWN BY: KM
DATE: 2/18/09 CHKD. BY: CMOS-DBZ

BRIDGE # HIGHWAY #1 OVER WINOOSKI RIVER
SIDEWALK STRINGER DETAILS

T BUCK CONSTRUCTION DWG NO 09-113 - 38