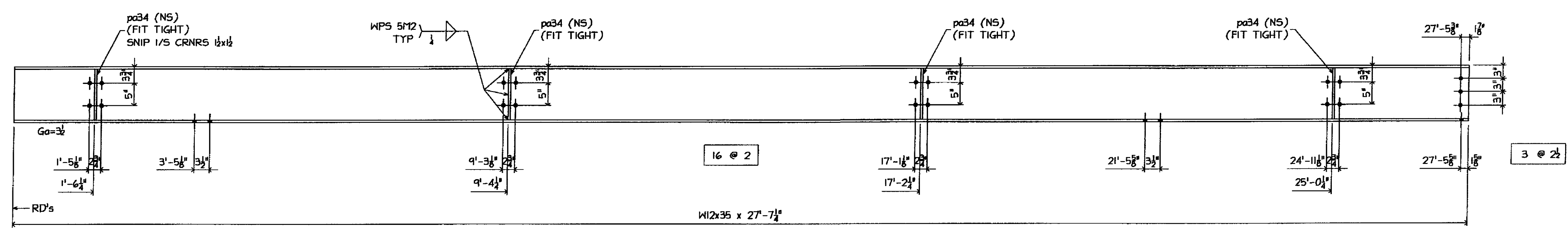
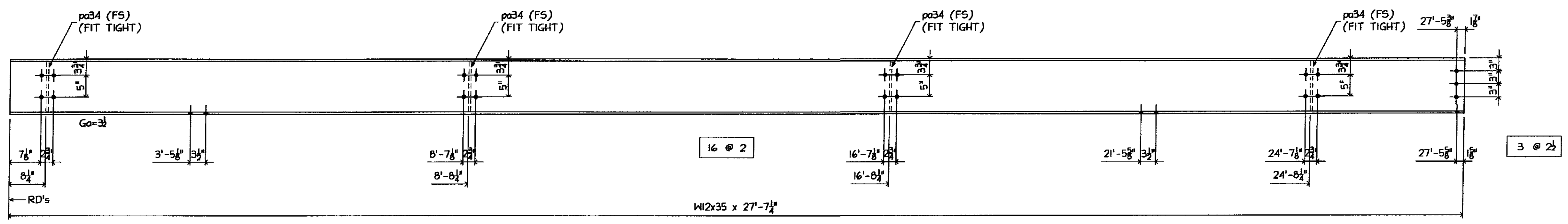


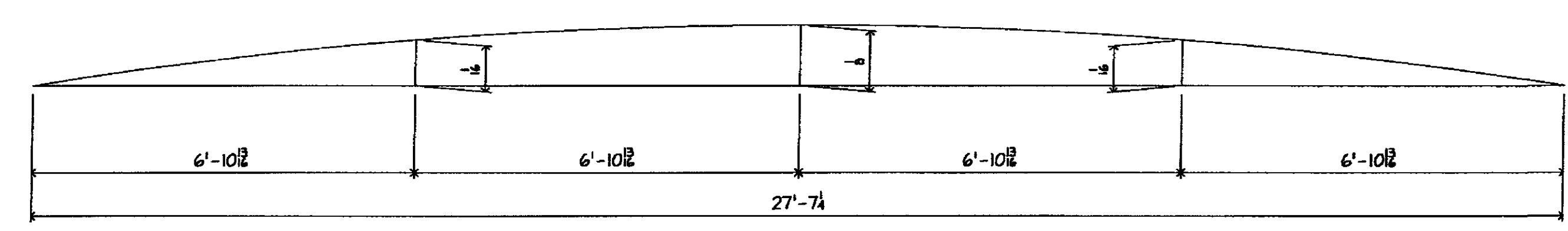
BILL OF MATERIAL							
MARKS	SHIP TEMP	QTY	MATERIAL	FT	IN	GR	REMARK'S
34B1		ONE	W12x35	27	7 1/4		
		4	R2 x 3	0	1 1/8		SHAPED
34B2		ONE	W12x35	27	7 1/4		
		4	R2 x 3	0	1 1/8		SHAPED



ONE - BEAM - 34B1



ONE - BEAM - 34B2



CAMBER DIAGRAM

NO EXCEPTION TAKEN	
REVISIONS	
REVISION NOT REQUIRED	
REVISION REQUIRED	
REVISION REQUIRED	
REVISION REQUIRED	
DATE	3/24/19
DESIGNER	72K
<small>REVISION BY STANTEC IS FOR THE SOLE PURPOSE OF ASCERTAINING GENERAL CONFORMITY WITH DESIGN. CONTRACTOR IS RESPONSIBLE FOR DIMENSIONS, FABRICATION AND CONSTRUCTION METHODS. COORDINATION OF SUB-TRADES, DETAIL DESIGN OF COMPONENTS, AND ERRORS OR OMISSIONS ON SHOP DRAWINGS.</small>	

GALVANIZING NOTES:
 1 ALL WELDS SHALL BE SEALED
 2 VENT AS REQUIRED
 3 COMPLETE FINAL ASSEMBLY OF BOLTED ITEMS AFTER GALVANIZING WIRE-BRUSH ALL CONTACTING SURFACES TO A DULL-GRAY APPEARANCE PRIOR TO ASSEMBLY

FB THIS DWG
 32- 3/8" x 2 (A325 GALV) BOLT w/NNW
 6- 3/8" x 2 1/2 (A325 GALV) BOLT w/NNW

MATL:
 1 ALL MAT'L SHALL CONFORM TO AASHTO M 270M/M 270 GRADE 50 (UNLESS NOTED)
 2 'CVN' INDICATES CHARPY 'V' NOTCH TESTED
 3 'FCM' INDICATES 'FRACTURE CRITICAL MEMBER'

WELD: E70xx
HQLES: 1/8" UNO
PREP: SSPC-SP8
PAINT: GALVANIZED AND AIR COOLED (NOT QUENCHED) (SEE GALVANIZING NOTES)

3/11/09 PER APPL COMMENTS DATED 3/06/09

ARC ENTERPRISES, INC.
KINGFIELD, MAINE

PROJECT: STATE OF VERMONT - AGENCY OF TRANSPORTATION
 BRIDGE No 31 - RICHMOND, VERMONT

SCALE: NTS	APPROVED BY:	DRAWN BY: KAJ
DATE: 2/18/09	CHKD. BY: CHDS-082	

BRIDGE # HIGHWAY #1 OVER WINOOSKI RIVER
 SIDEWALK STRINGER DETAILS

T BUCK CONSTRUCTION DWG NO 09-113 - 34