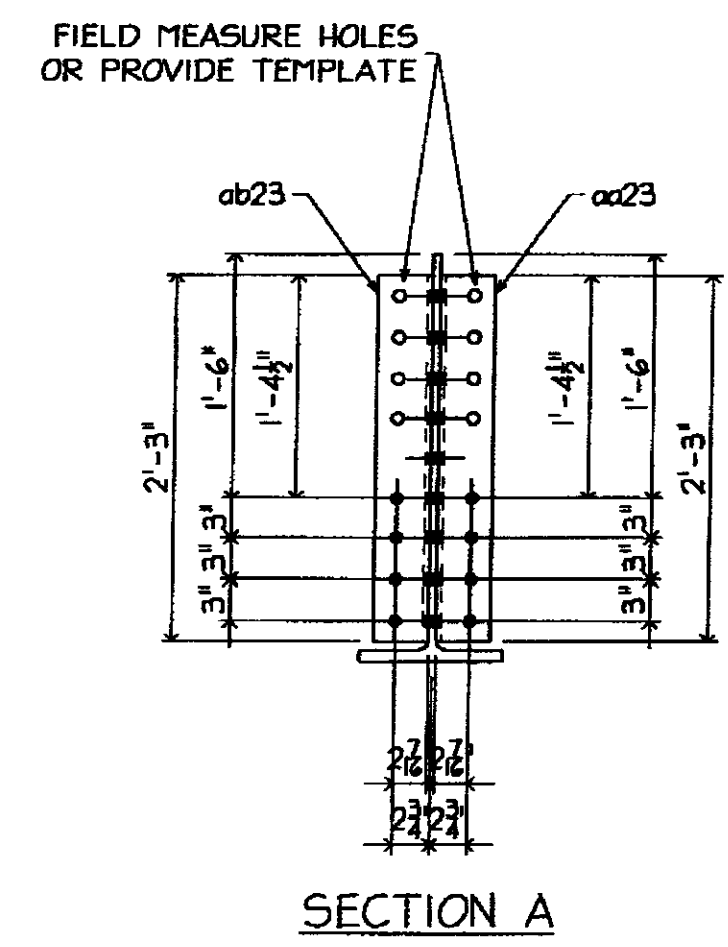
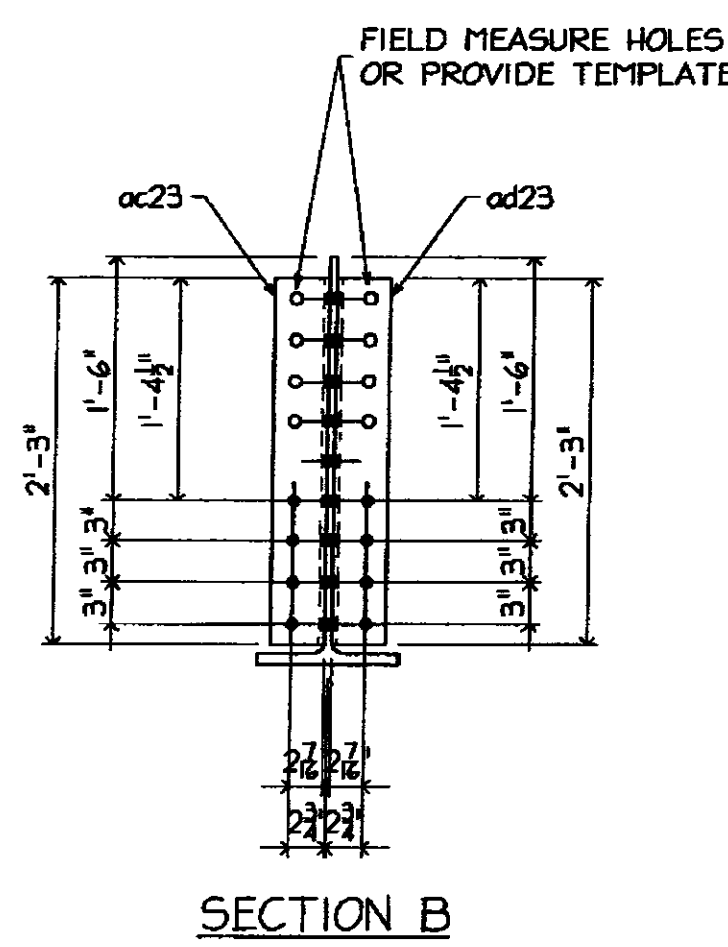


ONE - BEAM - 23BI



SECTION A



SECTION B

NO EXCEPTION TAKEN	
REMARKS NOTED	X
PERMISSION NOT REQUIRED	
REMARKS NOTED	
PERMISSION NOT REQUIRED	
REMARKS NOTED	
PERMISSION NOT REQUIRED	
REMARKS NOTED	
PERMISSION NOT REQUIRED	
DATE	3/24/19
BY	TEL

REVISION BY STANTEC IS FOR THE SOLE PURPOSE OF ASCERTAINING GENERAL CONFORMITY WITH DESIGN. CONTRACTOR IS RESPONSIBLE FOR DIMENSIONS, FABRICATION AND CONSTRUCTION METHODS, COORDINATION OF SUB-TRADES DETAIL DESIGN OF COMPONENTS, AND ERRORS OR OMISSIONS ON SHOP DRAWINGS.

GALVANIZING NOTES
 1 ALL WELDS SHALL BE SEALED
 2 VENT AS REQUIRED.
 3 COMPLETE FINAL ASSEMBLY OF BOLTED ITEMS AFTER GALVANIZING WIRE-BRUSH ALL CONTACTING SURFACES TO A DULL-GRAY APPEARANCE PRIOR TO ASSEMBLY

FB THIS DWG
 56- 60 x 2 1/2 (A325 GALV) BOLT w/NHW

BILL OF MATERIAL								
MARKS	SHIP	TEMP	QTY	MATERIAL	FT	IN	GR	REMARK'S
23BI			ONE	W30x116	21	9 3/8		CVN
			1	L6x4x8	2	3		
			1	L6x4x8	2	3		
			1	L6x4x8	2	3		
			1	L6x4x8	2	3		
			22	SHEAR STUD 1/2"	0	6		
			18	BOLT 3/4"	0	2 1/2	A325 GALV	w/NHW

MATL:
 1 ALL MAT'L SHALL CONFORM TO AASHTO M 270/M 11 270 GRADE 50 (UNLESS NOTED)
 2 'CVN' INDICATES CHARTY 'V' NOTCH TESTED
 3 'FCM' INDICATES 'FRACTURE CRITICAL MEMBER'

WELD: E70xx
HOLES: 1/2" UNO
PREP: SSPC-SP8
PAINT: GALVANIZED AND AIR COOLED (NOT QUENCHED) (SEE GALVANIZING NOTES)

3/11/09 PER APPL COMMENTS DATED 3/06/09

ARC ENTERPRISES, INC.
KINGFIELD, MAINE

PROJECT STATE OF VERMONT - AGENCY OF TRANSPORTATION
 BRIDGE No 31 - RICHMOND, VERMONT

SCALE	NTS	APPROVED BY:	DRAWN BY	KAJ
DATE:	2/18/08	CHKD. BY:	CMDS-DBZ	

BRIDGE # HIGHWAY #1 OVER WINOOSKI RIVER
 FLOOR BEAM DETAILS

T BUCK CONSTRUCTION

DWG NO. 09-113 - 23/A