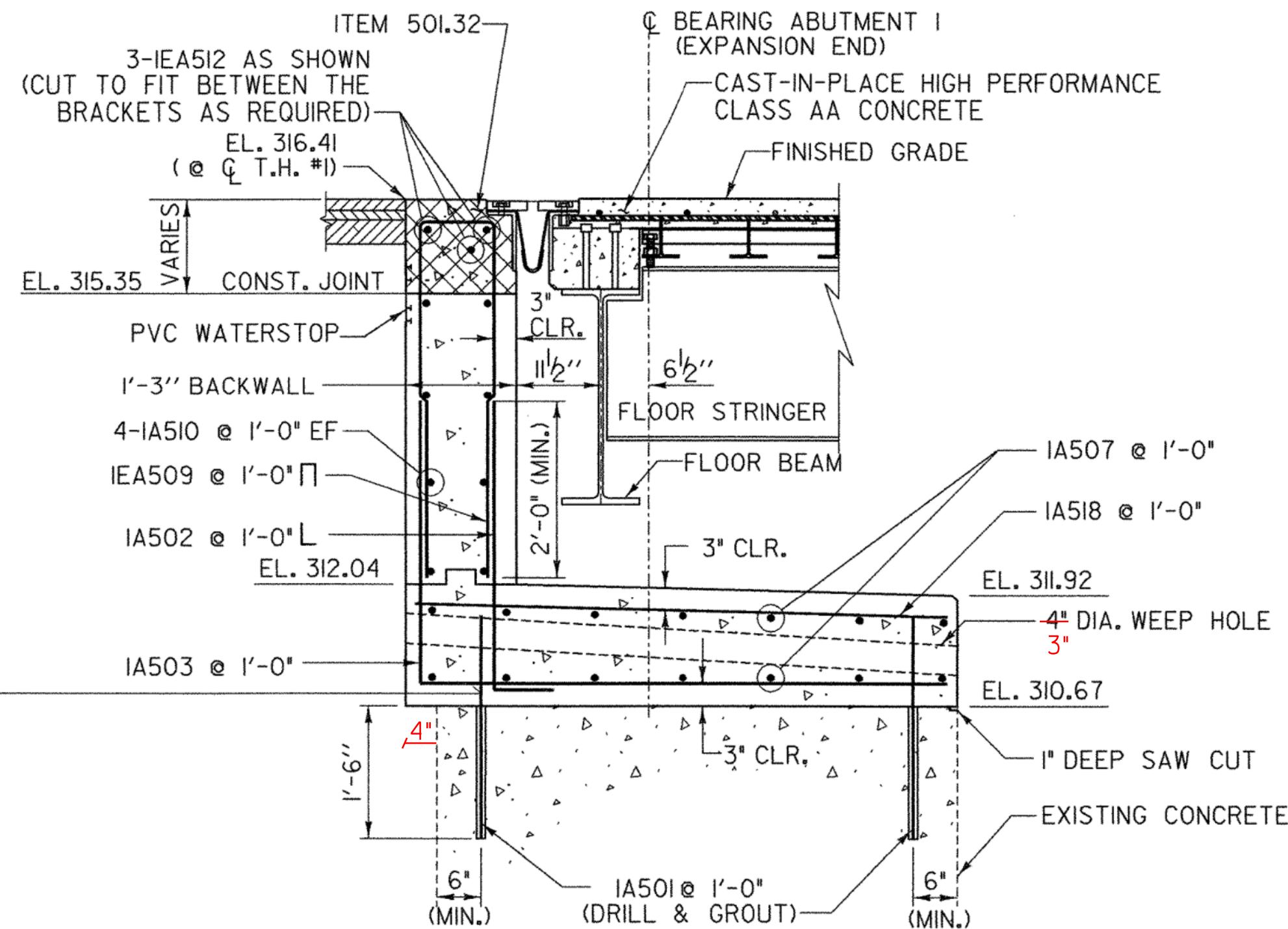


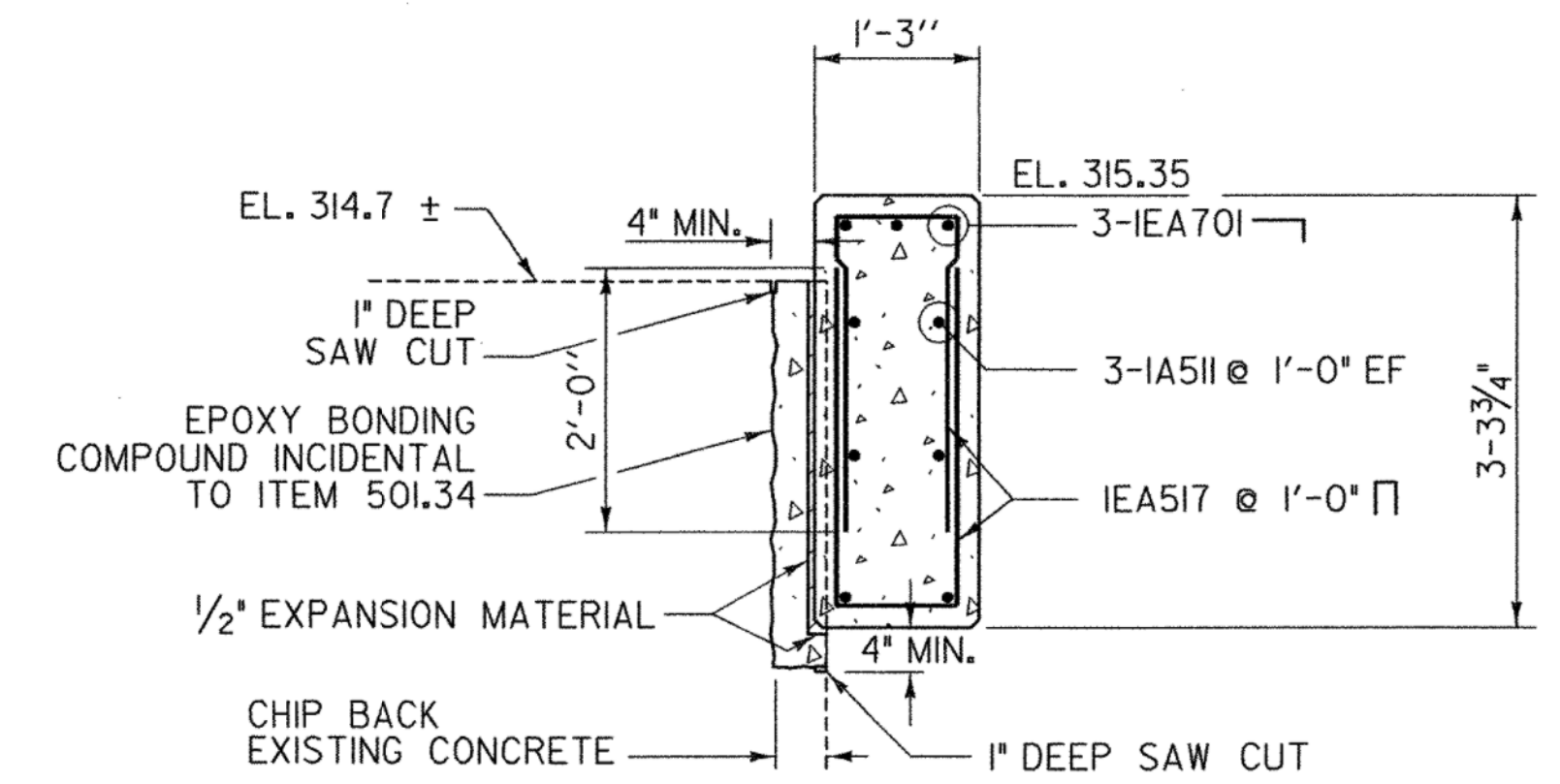
ABUTMENT 1 SECTION A-A

SCALE 3/4" = 1'-0"



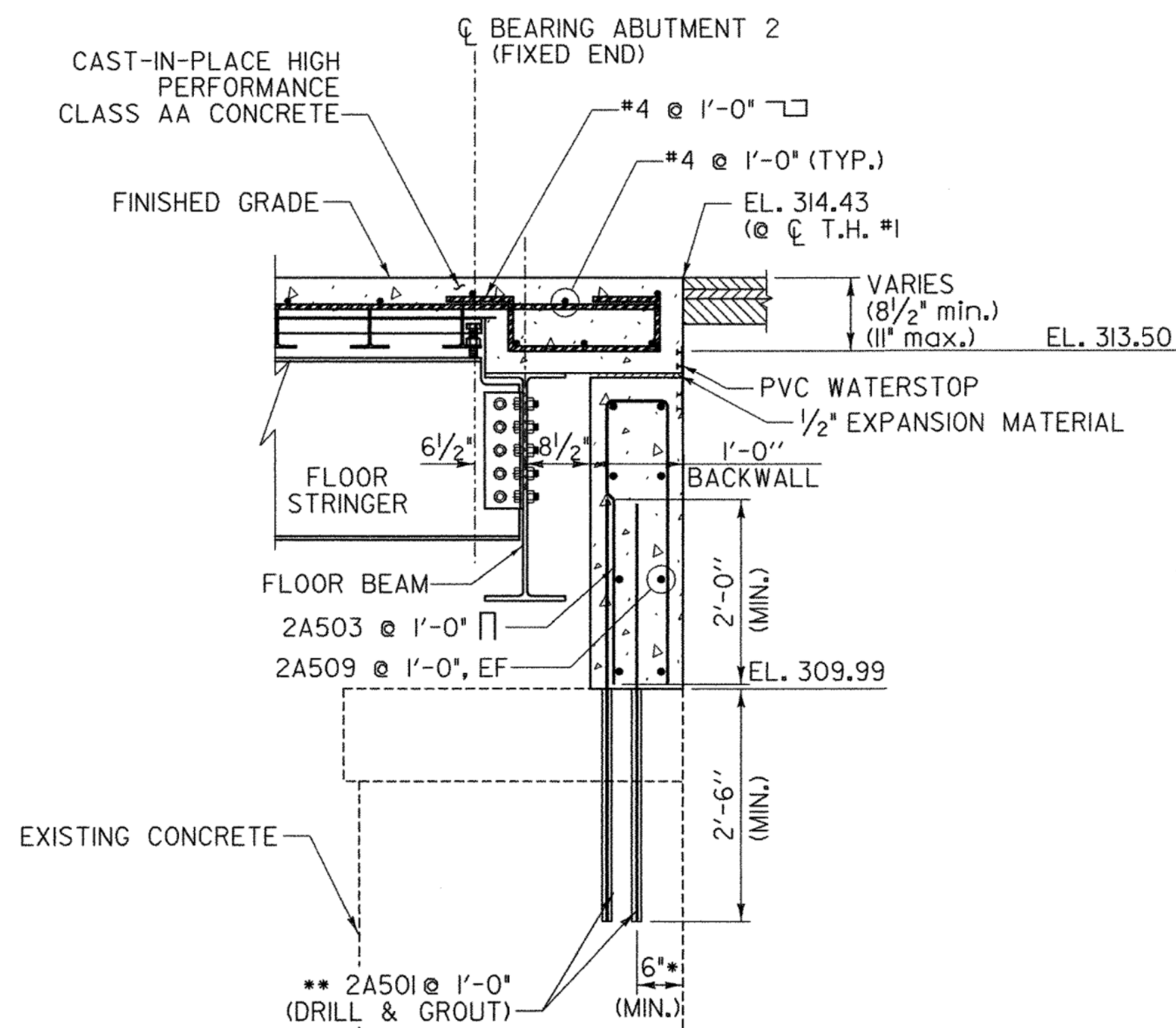
ABUTMENT 1 SECTION B-B

SCALE 3/4" = 1'-0"



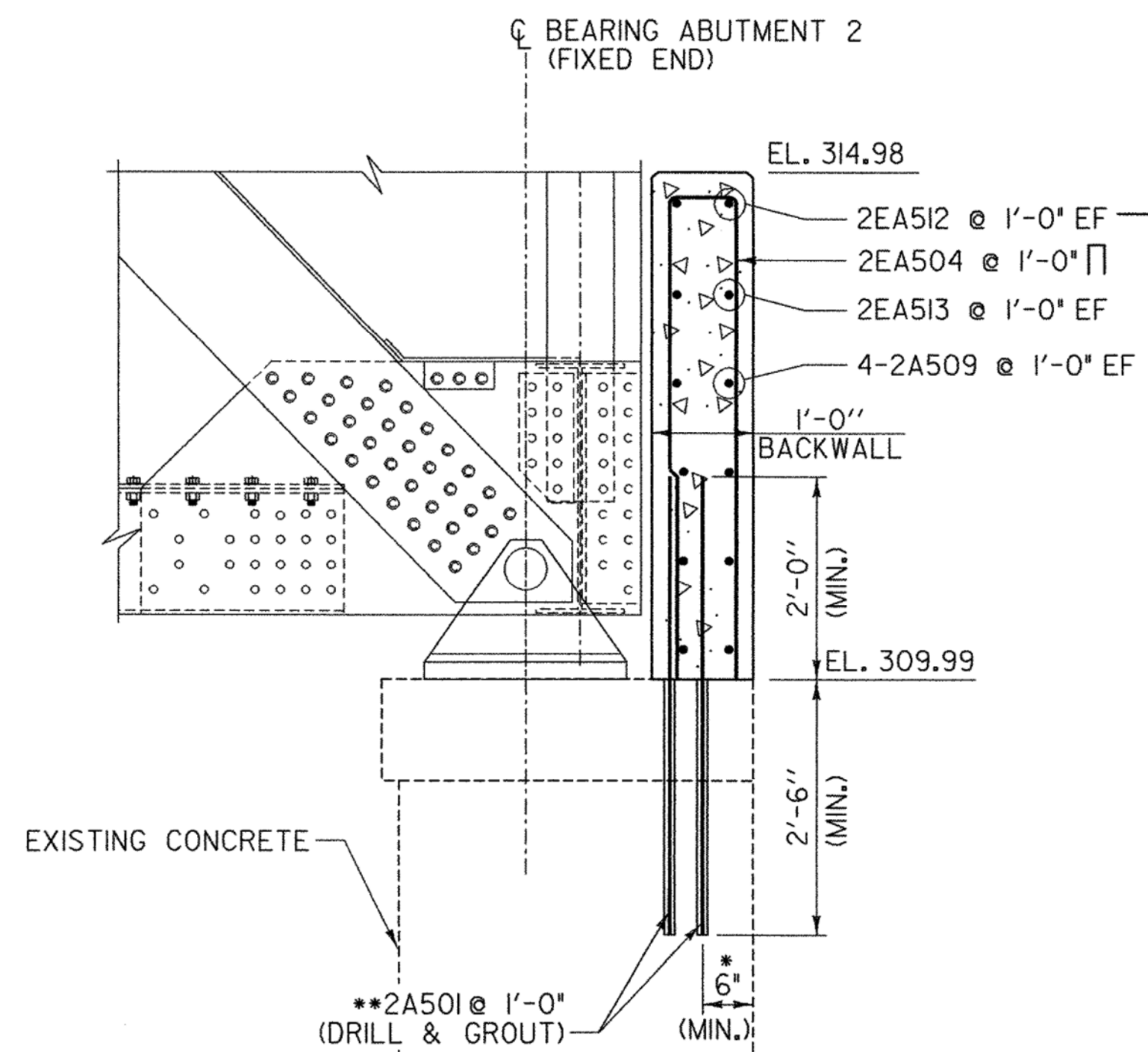
ABUTMENT 1 SECTION C-C

SCALE 3/4" = 1'-0"



ABUTMENT 2 SECTION E-E

SCALE 3/4" = 1'-0"



ABUTMENT 2 SECTION F-F

SCALE 3/4" = 1'-0"

- CONTRACTOR TO VERIFY THAT A MINIMUM EDGE DISTANCE OF 6" IS PROVIDED
- BAR TO BE INCLUDED IF EXISTING VERTICAL REINFORCEMENT IS NOT ADEQUATE, AS DIRECTED BY THE ENGINEER

NOTE:
 NF = NEAR FACE
 FF = FAR FACE
 EF = EACH FACE
 ▲ = CUT TO FIT IN FIELD
 2" CLEAR UNLESS OTHERWISE SPECIFIED ON PLAN

**STATE OF VERMONT
 AGENCY OF TRANSPORTATION**

Town Of	RICHMOND	Bridge No.	31
Highway No.	T.H. #1	Log Sta.	
		Surv. Sta.	
TOWN HIGHWAY #1 OVER WINOOSKI RIVER			
ABUTMENT SECTIONS			
Designed By	T.KNIGHT	Drawn By	D.HARRINGTON
Checked By	Date	Bridge Design Supervisor	
M. CHENETTE	01/09	G. BOGUE	Date 01/09
PROJECT	RICHMOND	PROJECT NO.	BHF 0209(5)
CAD Dwg:	...drawing\z08j32_abutsects.dgn Plot Date: 1/8/2009		
Bridge Sheet No.	Sheet 39 of 50		

