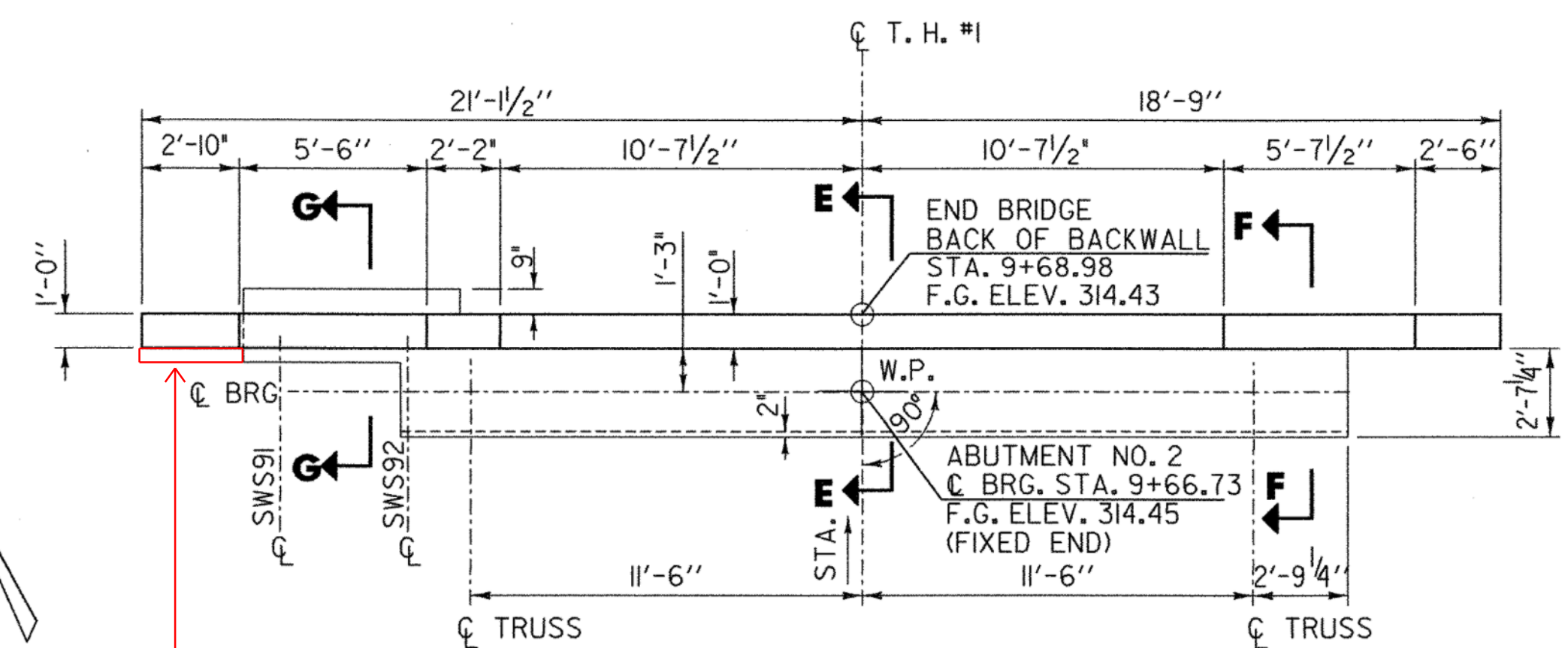
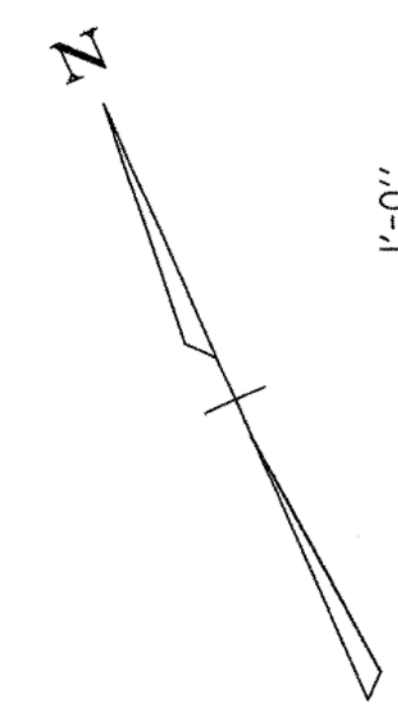
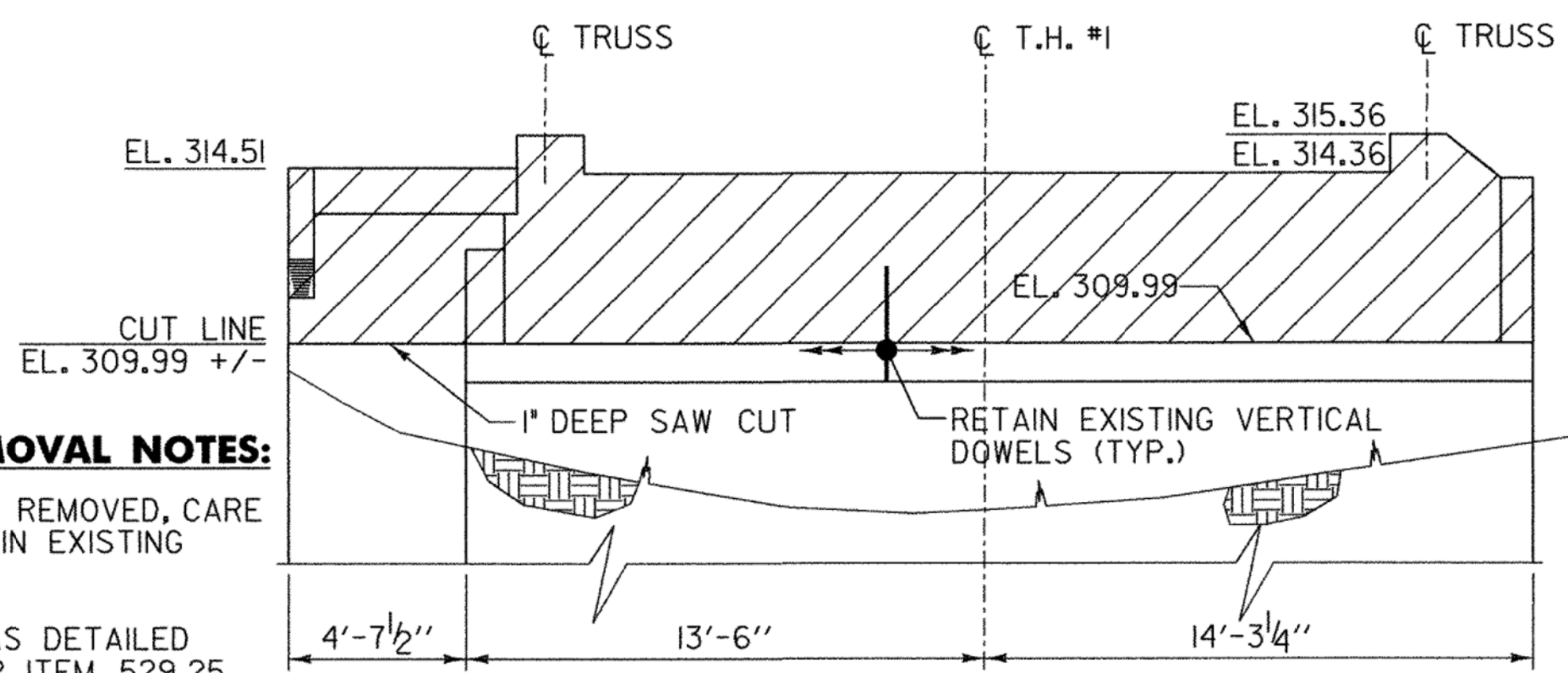


EXISTING PLAN
SCALE 1/4" = 1'-0"
0 2 4 6



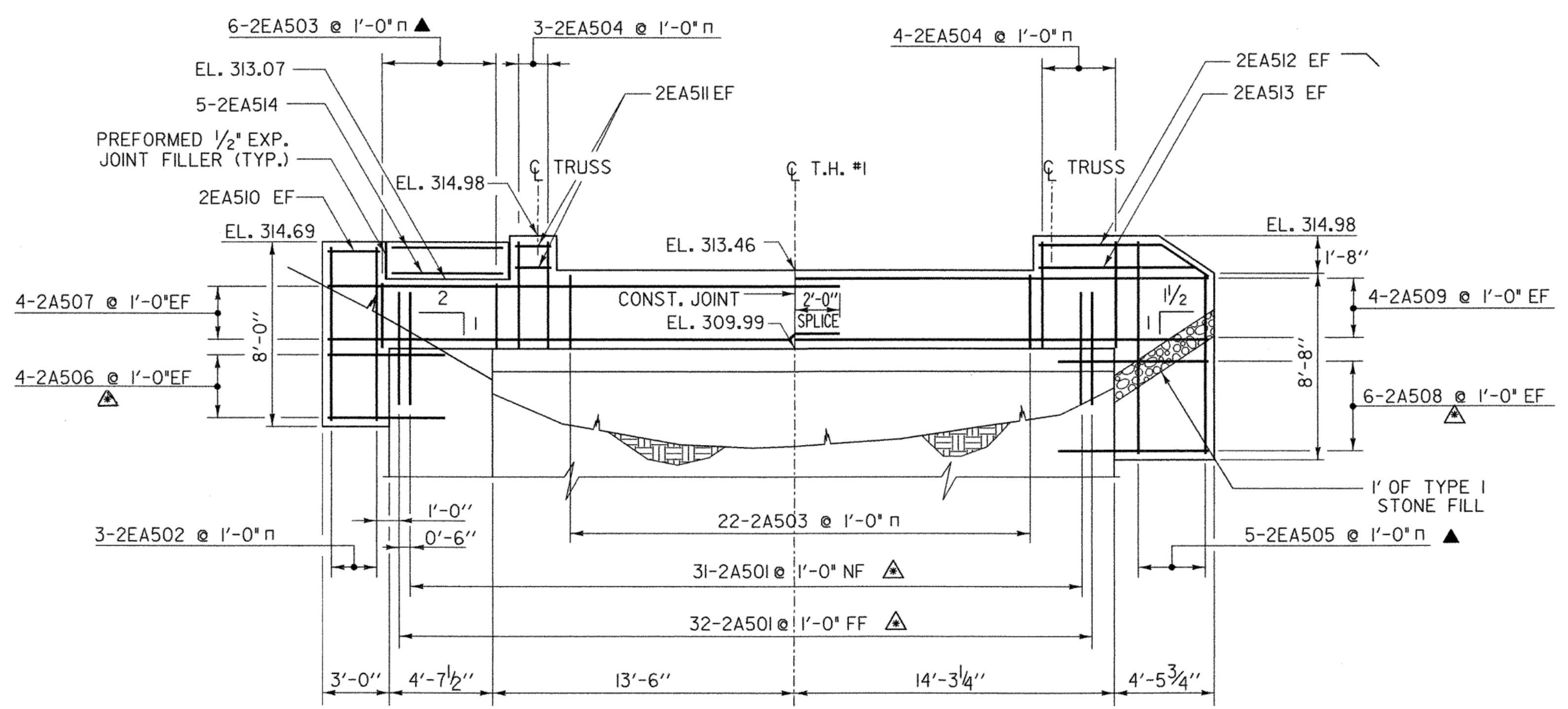
PROPOSED PLAN
SCALE 1/4" = 1'-0"
0 2 4 6

NOTE:
1. FOR SECTION E-E, F-F SEE SHEET 39
2. FOR SECTION G-G SEE SHEET 22



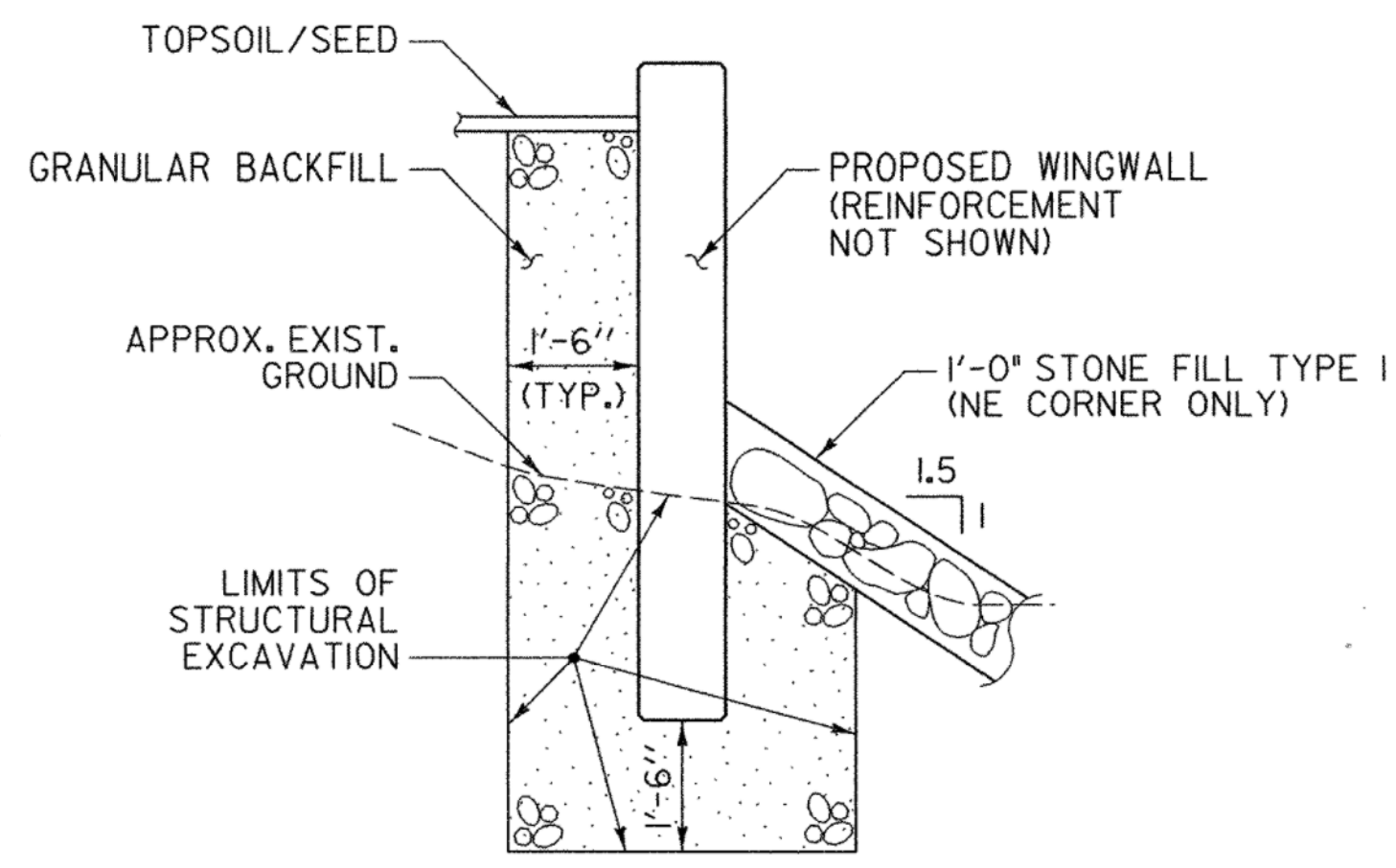
EXISTING CONCRETE REMOVAL NOTES:
 EXISTING CONCRETE TO BE REMOVED, CARE SHALL BE TAKEN TO RETAIN EXISTING VERTICAL DOWELS
 ALL CONCRETE REMOVAL AS DETAILED SHALL BE PAID FOR UNDER ITEM 529.25, "REMOVAL OF CONCRETE OR MASONRY"

EXISTING ELEVATION
SCALE 1/4" = 1'-0"
0 2 4 6



NOTE:
 ▴ = DRILL & GROUT 2'-6" INTO EXISTING ABUTMENT
 NF = NEAR FACE
 FF = FAR FACE
 EF = EACH FACE
 ▲ = CUT TO FIT IN FIELD

PROPOSED ELEVATION
SCALE 1/4" = 1'-0"
0 2 4 6



TYPICAL WINGWALL EARTHWORKS SECTION
NOT TO SCALE

STATE OF VERMONT AGENCY OF TRANSPORTATION	
Town Of RICHMOND	Bridge No. 31
Highway No. T.H. #1	Log Sta.
TOWN HIGHWAY #1 OVER WINOOSKI RIVER	
ABUTMENT NO. 2 PLAN & ELEVATION	
Designed By T. KNIGHT	Drawn By R. WALKER
Checked By M. CHENETTE	Bridge Design Supervisor G. BOGUE
Date 01/09	Date 01/09
PROJECT RICHMOND	PROJECT NO. BHF 0209(5)
CAD Dwg: ...drawing\z08j32_ABUT 2.dgn	Plot Date: 1/9/2009
Bridge Sheet No. 	Sheet 38 of 50

