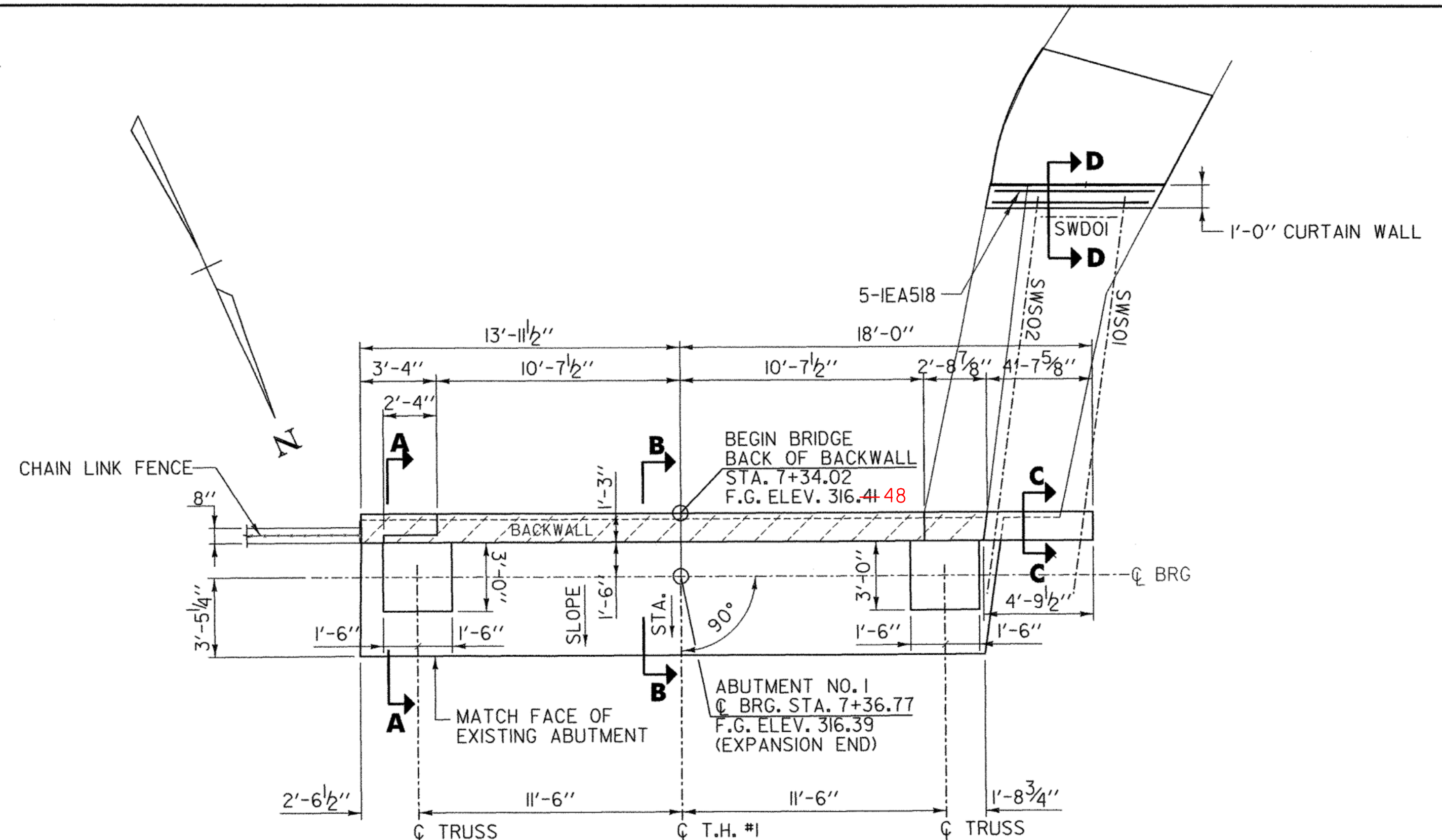


EXISTING PLAN

SCALE 1/4" = 1'-0"
 0 2 4 6

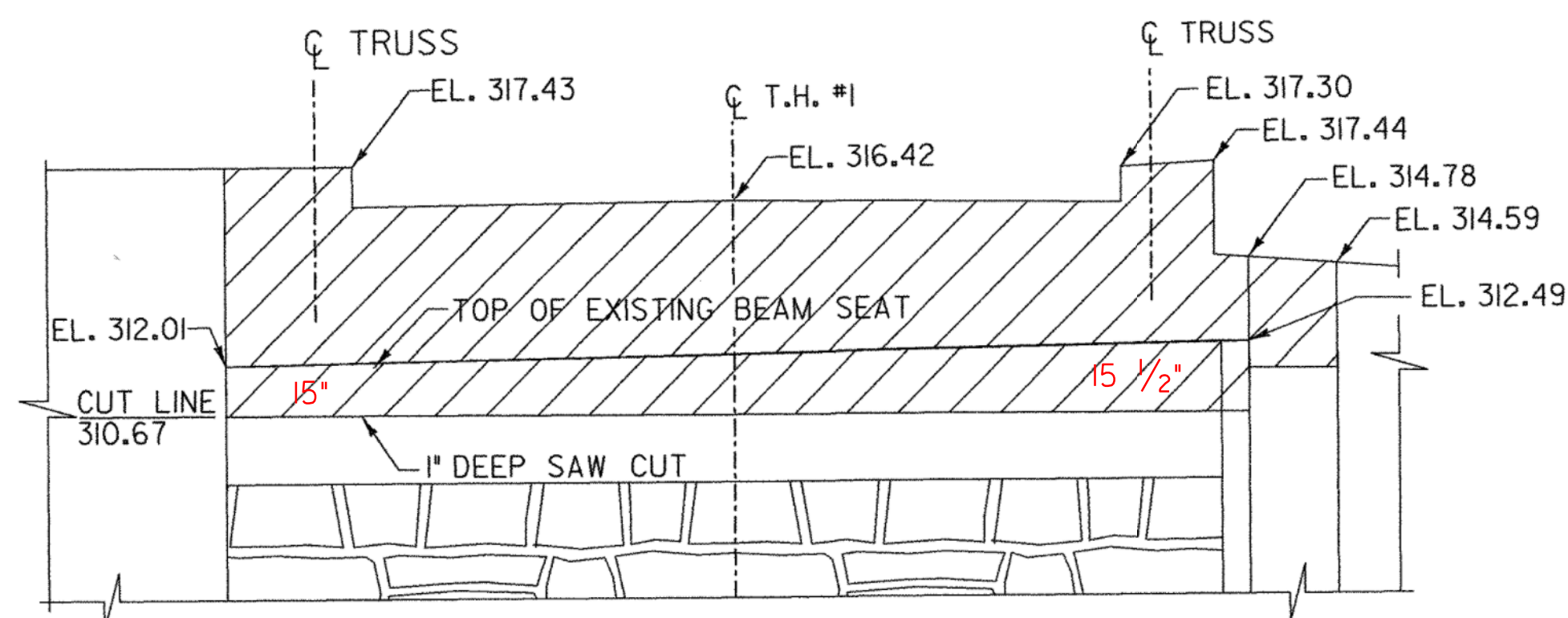


PROPOSED PLAN

SCALE 1/4" = 1'-0"
 0 2 4 6

NOTES:

1. FOR SECTIONS A-A, B-B, AND C-C SEE SHEET 39.
2. FOR SECTION D-D SEE SHEET 22.



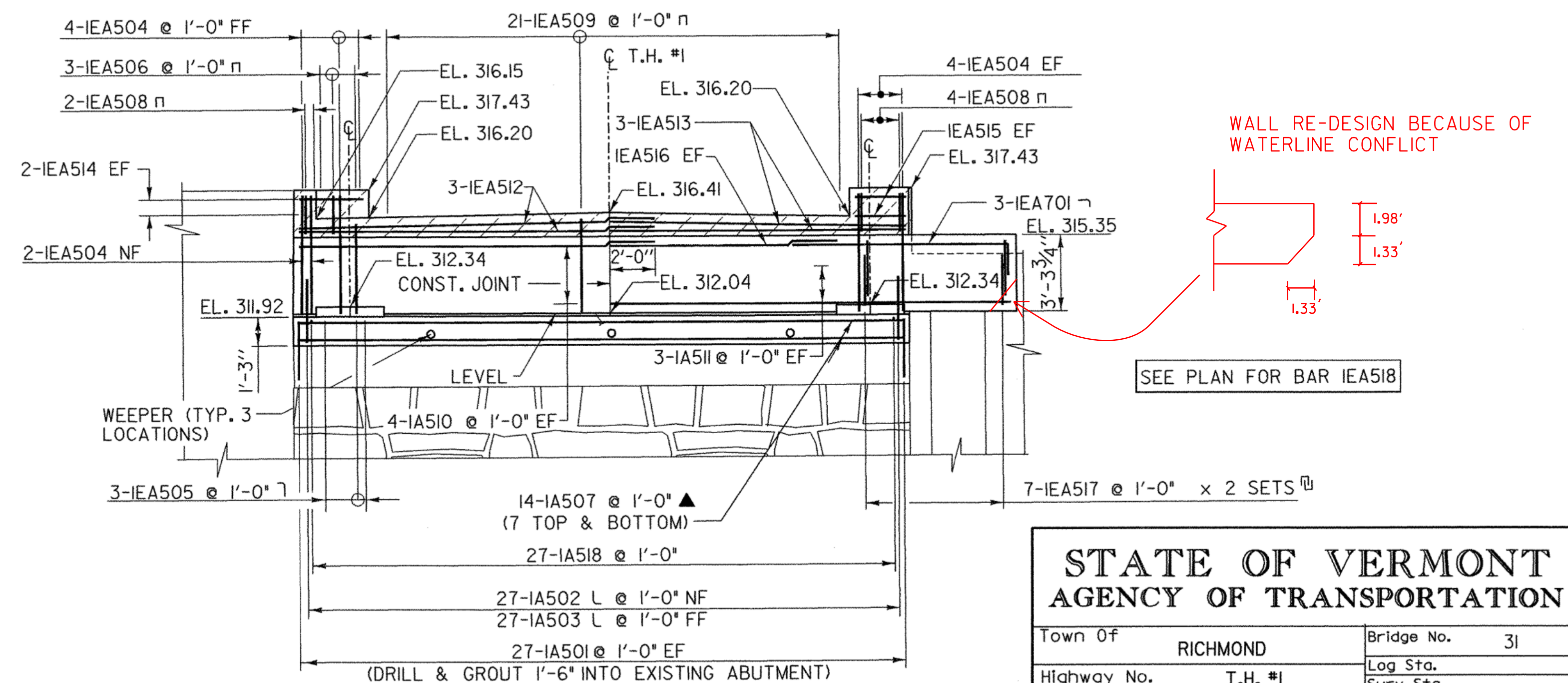
EXISTING ELEVATION

SCALE 1/4" = 1'-0"
 0 2 4 6

EXISTING CONCRETE REMOVAL NOTES:

EXISTING CONCRETE TO BE REMOVED

ALL CONCRETE REMOVAL AS DETAILED SHALL BE PAID FOR UNDER ITEM 529.25, "REMOVAL OF CONCRETE OR MASONRY"



PROPOSED ELEVATION

SCALE 1/4" = 1'-0"
 0 2 4 6

NOTE:

- NF = NEAR FACE
- FF = FAR FACE
- EF = EACH FACE
- ▲ = CUT TO FIT IN FIELD
- 2" CLEAR UNLESS SHOWN OTHERWISE
- EXPANSION JOINT BLOCKOUT

**STATE OF VERMONT
 AGENCY OF TRANSPORTATION**

Town Of	RICHMOND	Bridge No.	31
Highway No.	T.H. #1	Log Sta.	
		Surv. Sta.	
TOWN HIGHWAY #1 OVER WINOOSKI RIVER			
ABUTMENT NO. 1 PLAN & ELEVATION			
Designed By	T. KNIGHT	Drawn By	R. WALKER
Checked By	Date	Bridge Design Supervisor	
M. CHENETTE	01/09	G. BOGUE	Date 01/09
PROJECT	RICHMOND	PROJECT NO.	BHF 0209(5)
CAD Dwg:	...drawing\z08j32-ABUT 1.dgn	Plot Date:	1/8/2009
Bridge Sheet No.		Sheet	37 of 50

