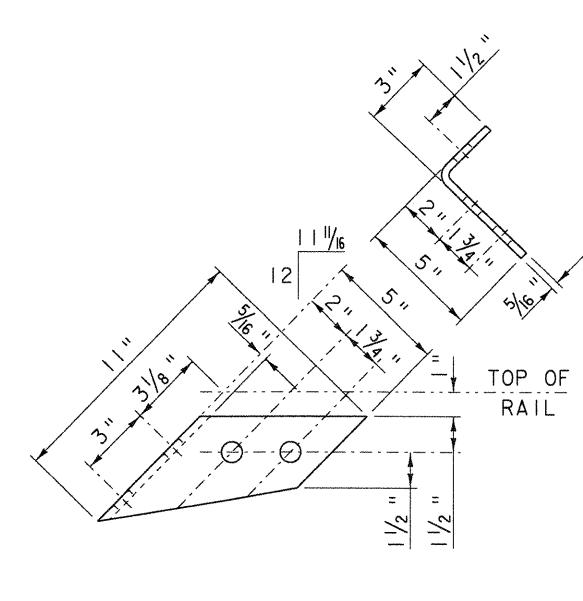


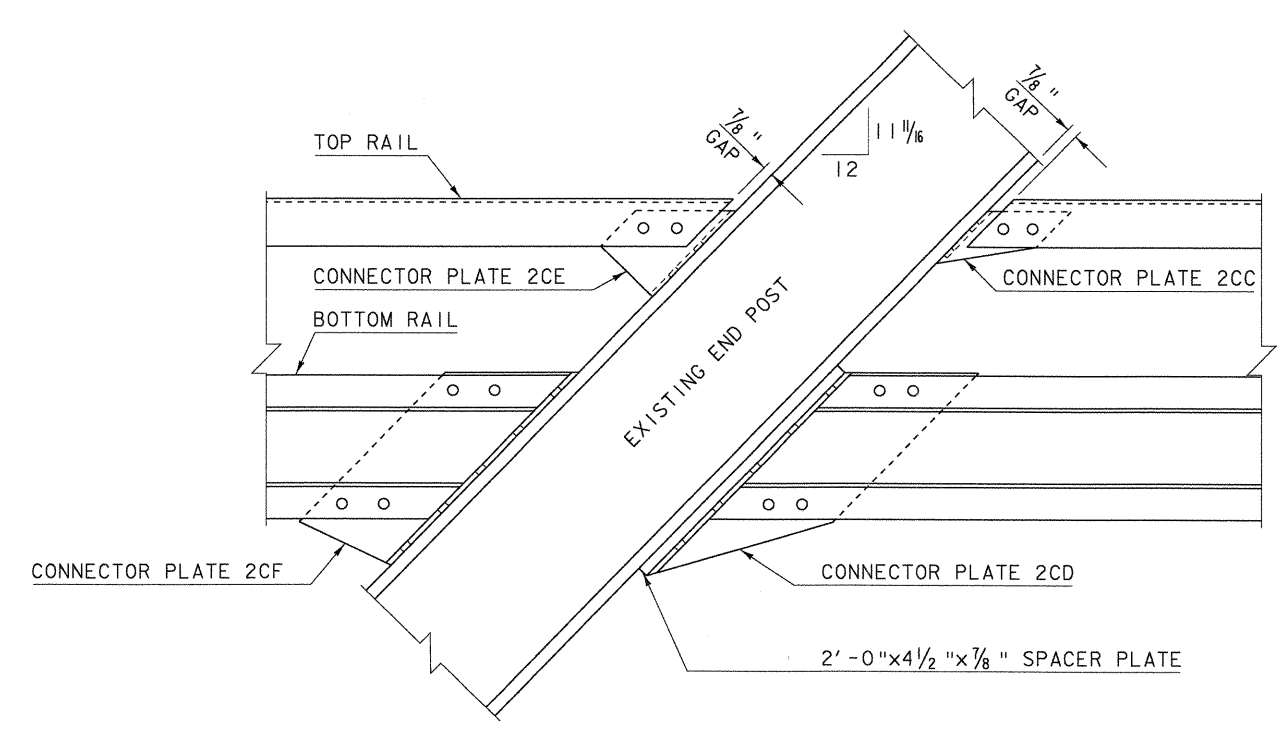
**CONNECTOR PLATE 2CE**

L 6x3 1/2 x 3/8 - 0' - 10" LONG  
SCALE 3" = 1' - 0"



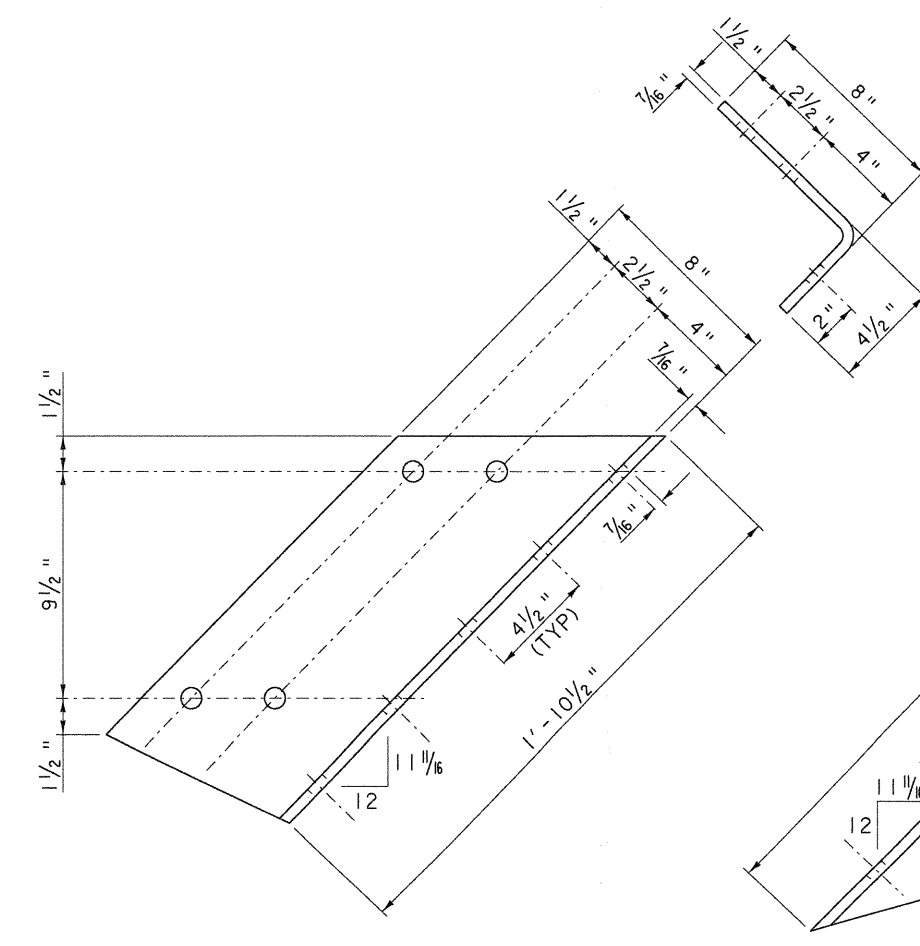
**CONNECTOR PLATE 2CC**

L 5x3 3/8 - 0' - 11" LONG  
SCALE 3" = 1' - 0"



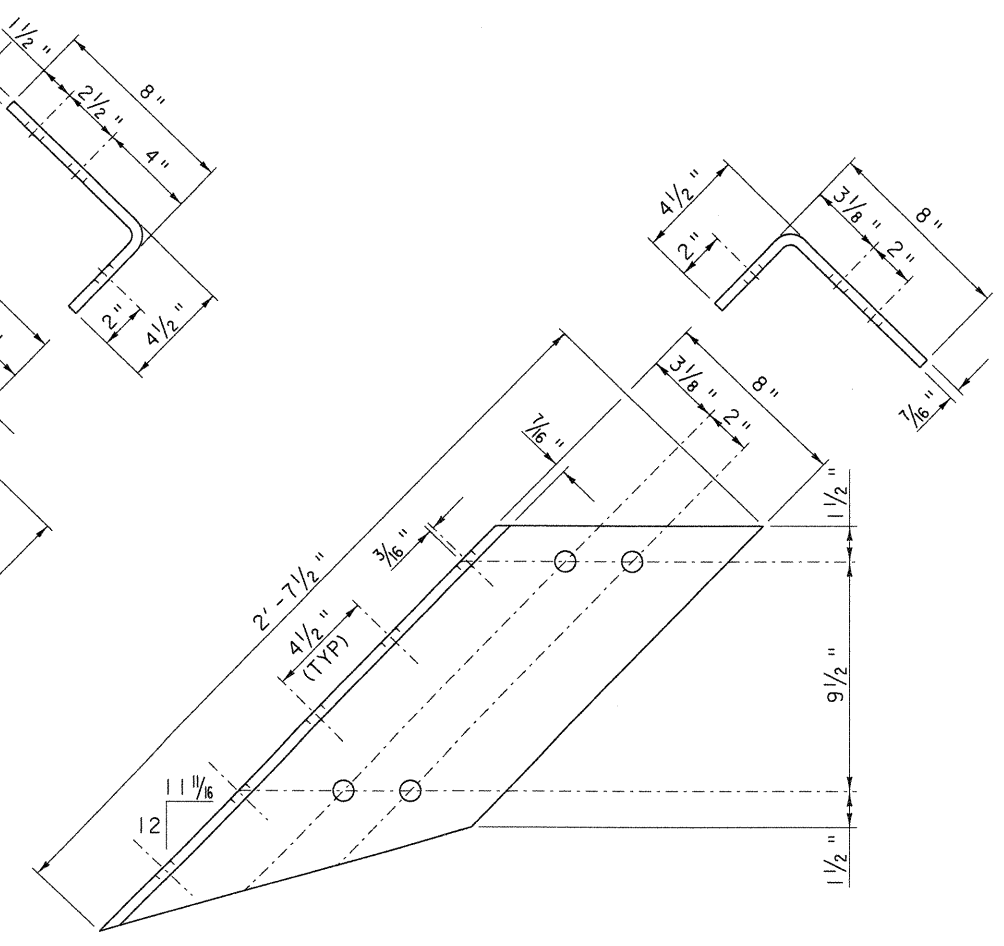
**RAIL CONNECTOR DETAIL**  
N. T. S.

THE DETAILS ON THIS SHEET ARE INTENDED TO CLARIFY THE INFORMATION FROM THE REFERENCE SHEETS. THE INTENT IS TO USE NEW MATERIAL TO DUPLICATE THE EXISTING CONNECTION, ANY CONFLICTS BETWEEN THIS INFORMATION AND THE REFERENCE PLANS SHALL BE BROUGHT TO THE ATTENTION OF THE RESIDENT ENGINEER IMMEDIATELY.



**CONNECTOR PLATE 2CF**

L 8x4 1/2 x 3/8 - 1' - 10 1/2" LONG  
SCALE 3" = 1' - 0"



**CONNECTOR PLATE 2CD**

L 8x4 1/2 x 7/8 - 2' - 7 1/2" LONG  
SCALE 3" = 1' - 0"

**NOTE:**  
ALL HOLES SHALL BE FIELD DRILLED UNLESS OTHERWISE NOTED.  
SCALE 3" = 1' - 0"

SEE BRIDGE RAILING NOTES ON SHEET 31

<b>STATE OF VERMONT</b>	
<b>AGENCY OF TRANSPORTATION</b>	
Town of RICHMOND	Bridge No. 31
Highway No. T. H. #1	Log. Sta. Surv. Sta.
TOWN HIGHWAY #1 OVER WINOOSKI RIVER	
<b>RAIL CONNECTOR DETAILS</b>	
Designed by G. P. WILLIAMS	Drawn by D. D. BEARD
Checked by G. P. WILLIAMS	Date 12/19/08
PROJECT RICHMOND	PROJECT NO. BHF 0209 (5)
CAD Dwg: Structures\080302_Rail.dwg	Plot Date: 07-JAN-2009
Bridge Sheet No.	Sheet 30 of 50