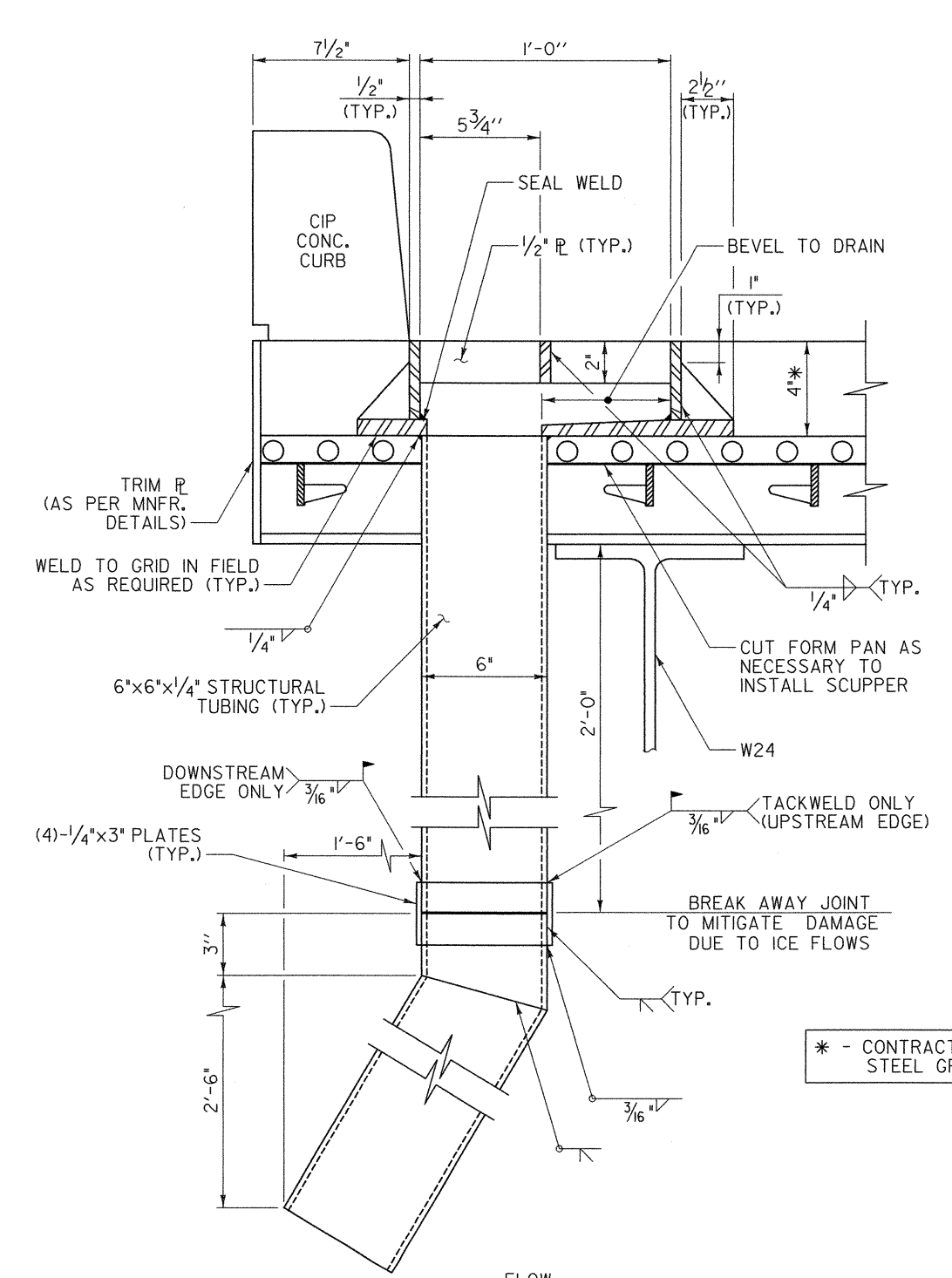


NOTE:
THE TOP SURFACE OF THE SCUPPER SHALL BE SLOPED TO MATCH THE ROADWAY FINISHED GRADE.

SCUPPER PLAN
NOT TO SCALE



* - CONTRACTOR TO VERIFY DIMENSION WITH STEEL GRID FLOORING FABRICATOR.

SCUPPER SECTION
NOT TO SCALE

STATE OF VERMONT AGENCY OF TRANSPORTATION			
Town Of	RICHMOND	Bridge No.	31
Highway No.	T.H. #1	Log Sta.	
		Stn. to Sta.	
TOWN HIGHWAY #1 OVER WINDOSKI RIVER			
SCUPPER DETAILS			
Designed By	T. KNIGHT	Drawn By	J. SOTER
Checked By	Date	Bridge Design Supervisor	Date
T. KNIGHT	01/09	G. BOGUE	01/09
PROJECT	RICHMOND	PROJECT NO.	BHF 0209(5)
CAD Drawn	.../drawing/208132/SCUPPER.dgn	Plot Date	1/8/2009
Bridge Sheet No.		Sheet	27 of 50

