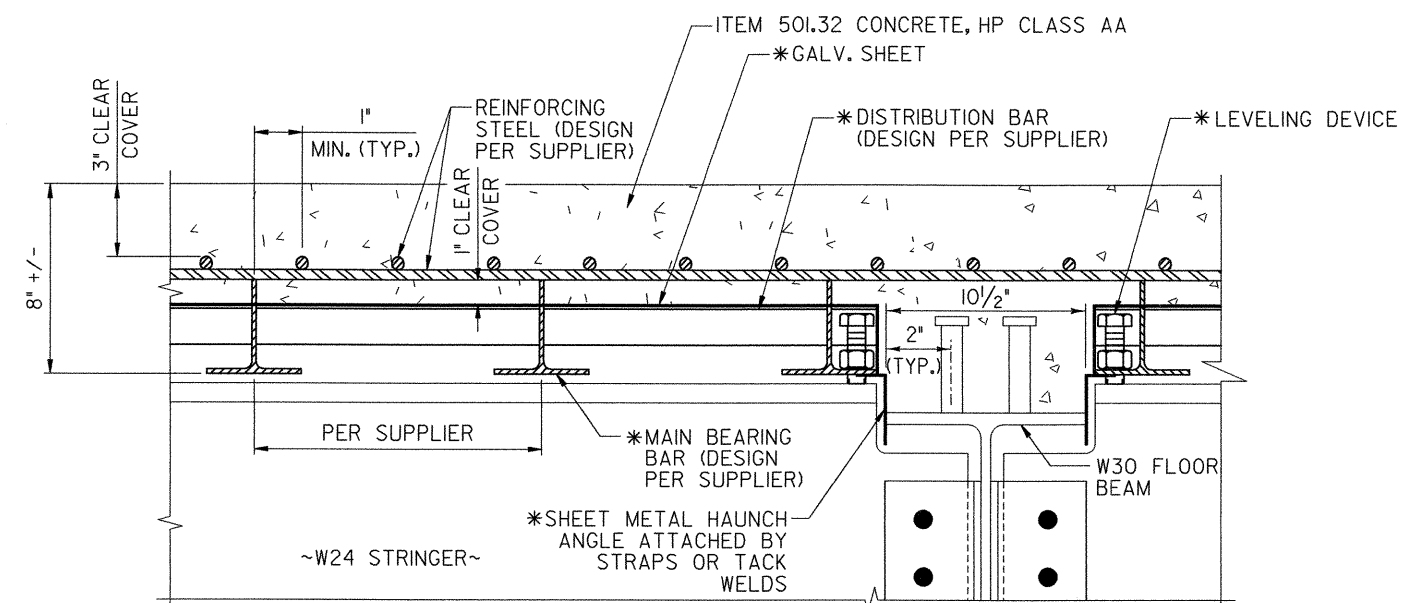


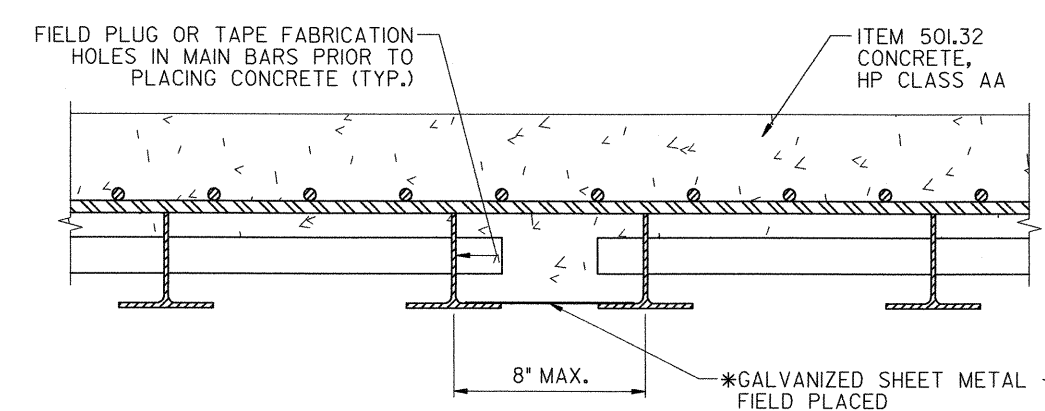
SECTION C-C
(CONNECTION TO STRINGER)

LEVELING BOLTS NOT SHOWN

OMIT DISTRIBUTION BARS OVER STRINGERS AS NECESSARY TO PROVIDE CLEARANCE FOR SHEAR STUDS AND LEVELING BOLTS



SECTION D-D
(TYPICAL SECTION THROUGH DECK)



SECTION E-E
(TYPICAL CONNECTION BETWEEN PANELS)

NOTES:

1. DETAILS NOT TO SCALE.
2. * FURNISHED WITH STEEL GRID DECK.



STATE OF VERMONT AGENCY OF TRANSPORTATION			
Town Of	RICHMOND	Bridge No.	31
Highway No.	T.R. #1	Log Sta.	
		Surv. Sta.	
TOWN HIGHWAY #1 OVER WINDSOCK RIVER			
BRIDGE DECK DETAILS 2			
Designed By	T. KNIGHT	Drawn By	J. SOTER
Checked By	T. KNIGHT	Bridge Design Supervisor	G. BOGUE
PROJECT	RICHMOND	PROJECT NO.	BHF 020915
CAD Dept	.../208/32_BRIDGE DECK DETS.dgn	Plot Date	1/8/2009
Bridge Sheet No.		Sheet	25 of 50