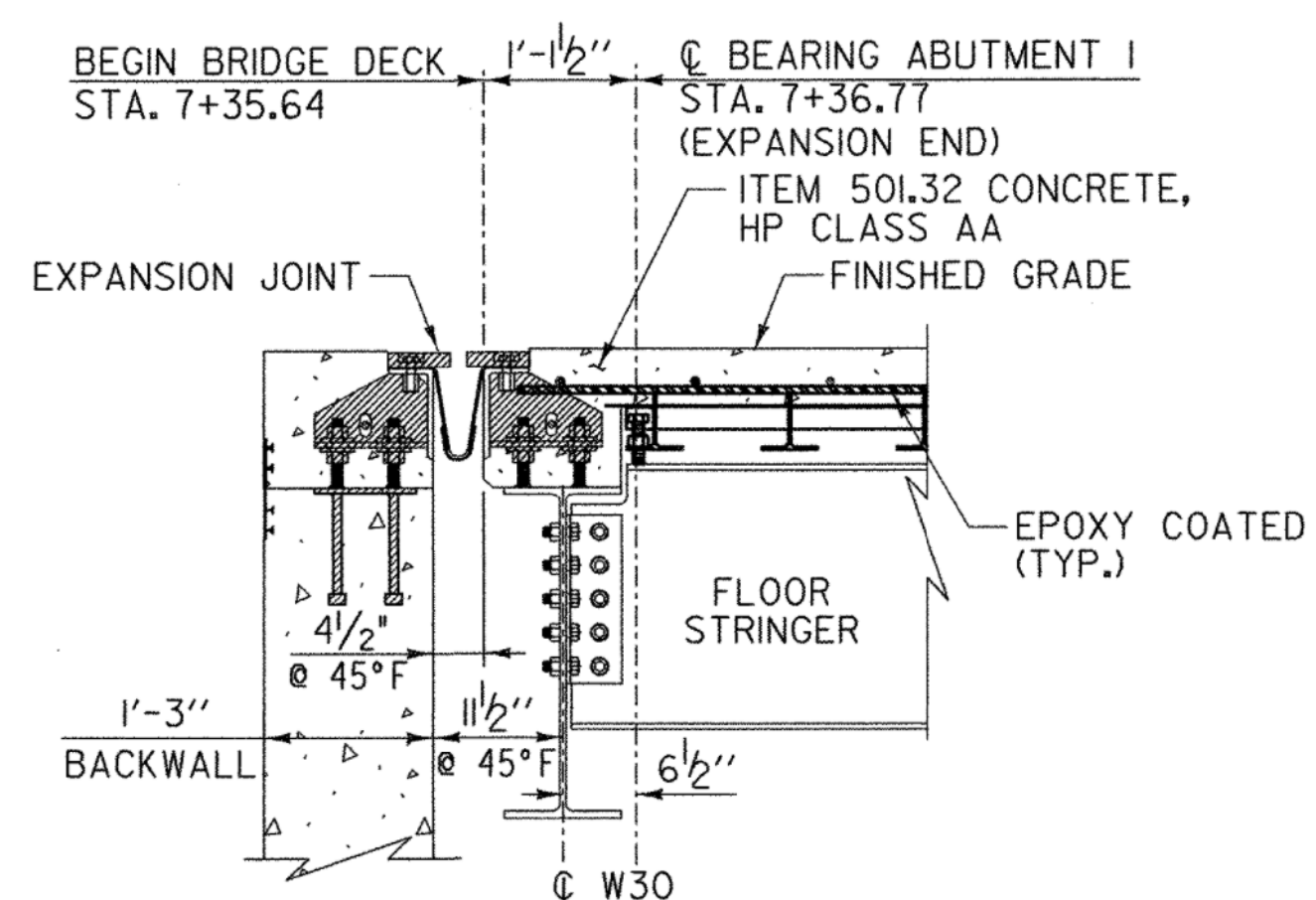


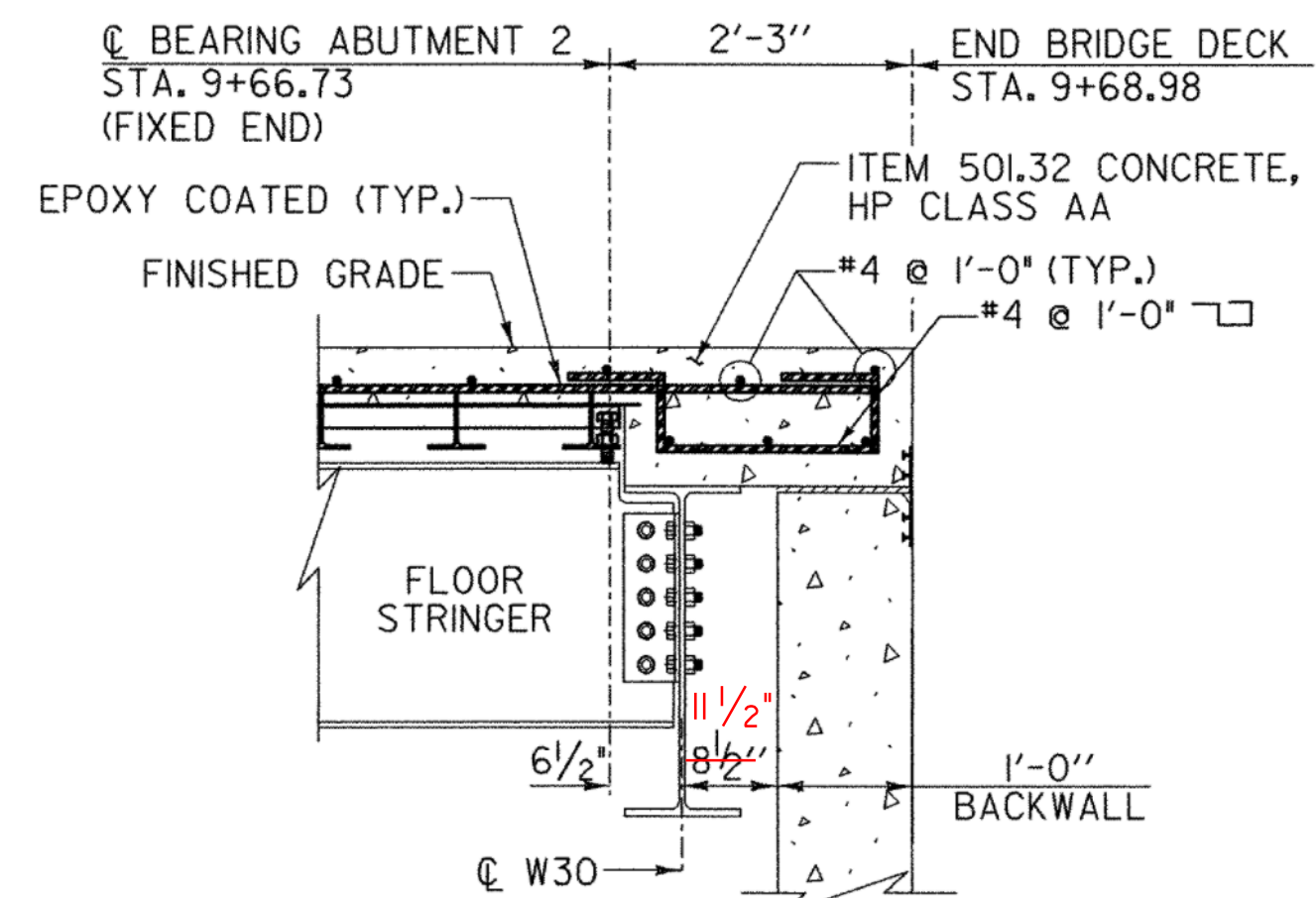
**DECK PANEL LAYOUT
(STEEL GRID FLOORING, BRIDGE)**

SCALE: 1/8" = 1'-0"
0 2 4 6 8



SECTION A-A

SCALE: 3/4" = 1'-0"
0 1 2



SECTION B-B

SCALE: 3/4" = 1'-0"
0 1 2

NOTES:

- FOR SECTIONS C-C, D-D AND E-E REFER TO SHEET 25.
- FOR SECTIONS F-F REFER TO SHEET 26.
- REFER TO SHEET 40 FOR ABUTMENT REINFORCEMENT.
- BRIDGE DECK POUR SEQUENCE: CONCRETE SHALL BE PLACED IN ONE CONTINUOUS POUR WITH A MAXIMUM DURATION OF 8 HOURS. CONCRETE SHALL REMAIN PLASTIC DURING POUR.



STATE OF VERMONT AGENCY OF TRANSPORTATION	
Town Of RICHMOND	Bridge No. 31
Highway No. T.H. #1	Log Sta. Surv. Sta.
TOWN HIGHWAY #1 OVER WINOOSKI RIVER	
BRIDGE DECK DETAILS 1	
Designed By T. KNIGHT	Drawn By J. SOTER
Checked By T. KNIGHT	Bridge Design Supervisor G. BOGUE Date 01/09
PROJECT RICHMOND	PROJECT NO. BHF 0209(5)
CAD Dwg. ...z08j132_BRIDGE DECK DETS.dgn	Plot Date: 1/8/2009
Bridge Sheet No.	Sheet 24 of 50