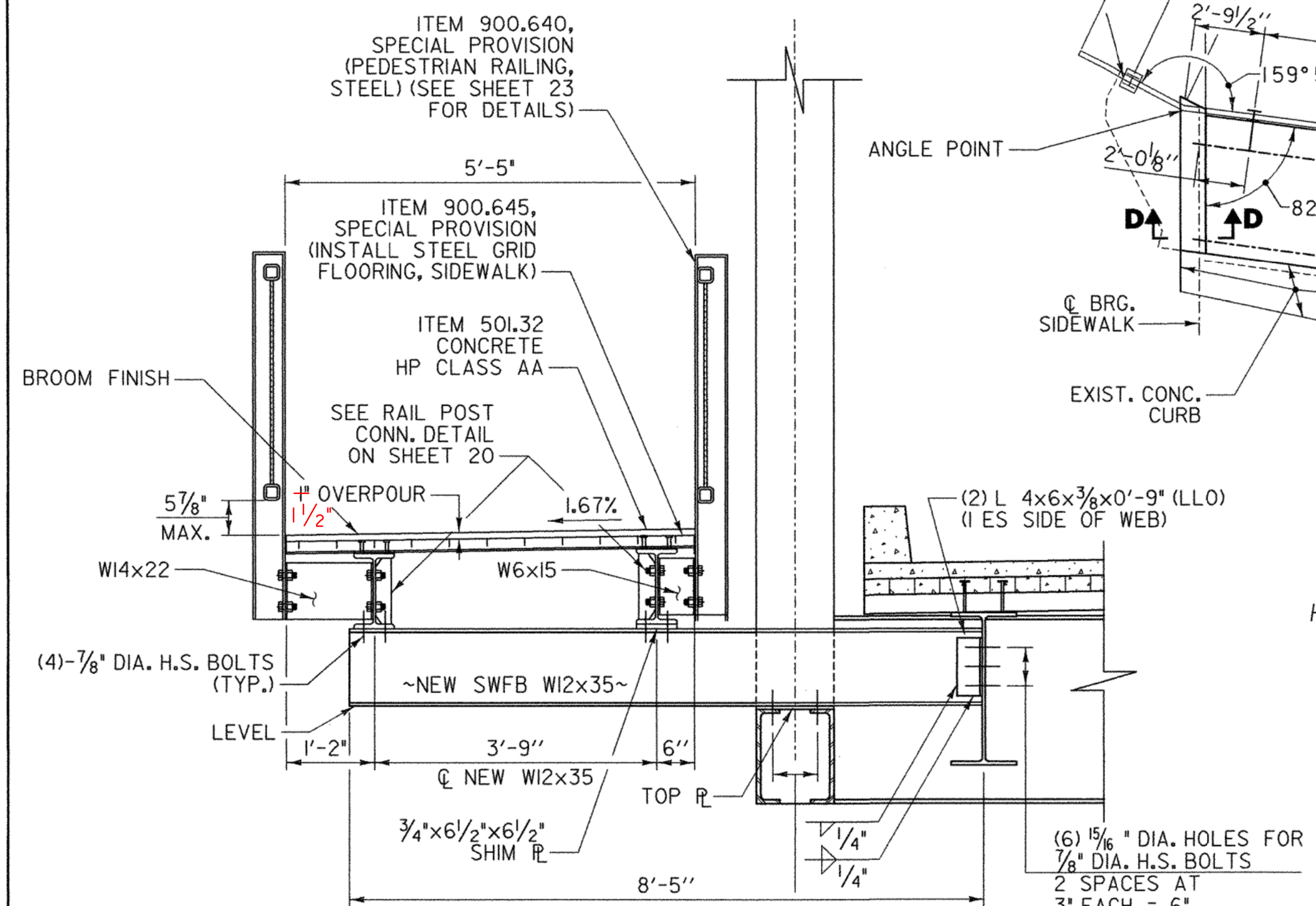
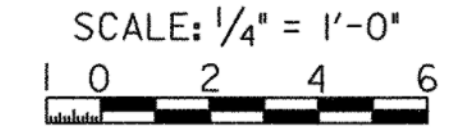
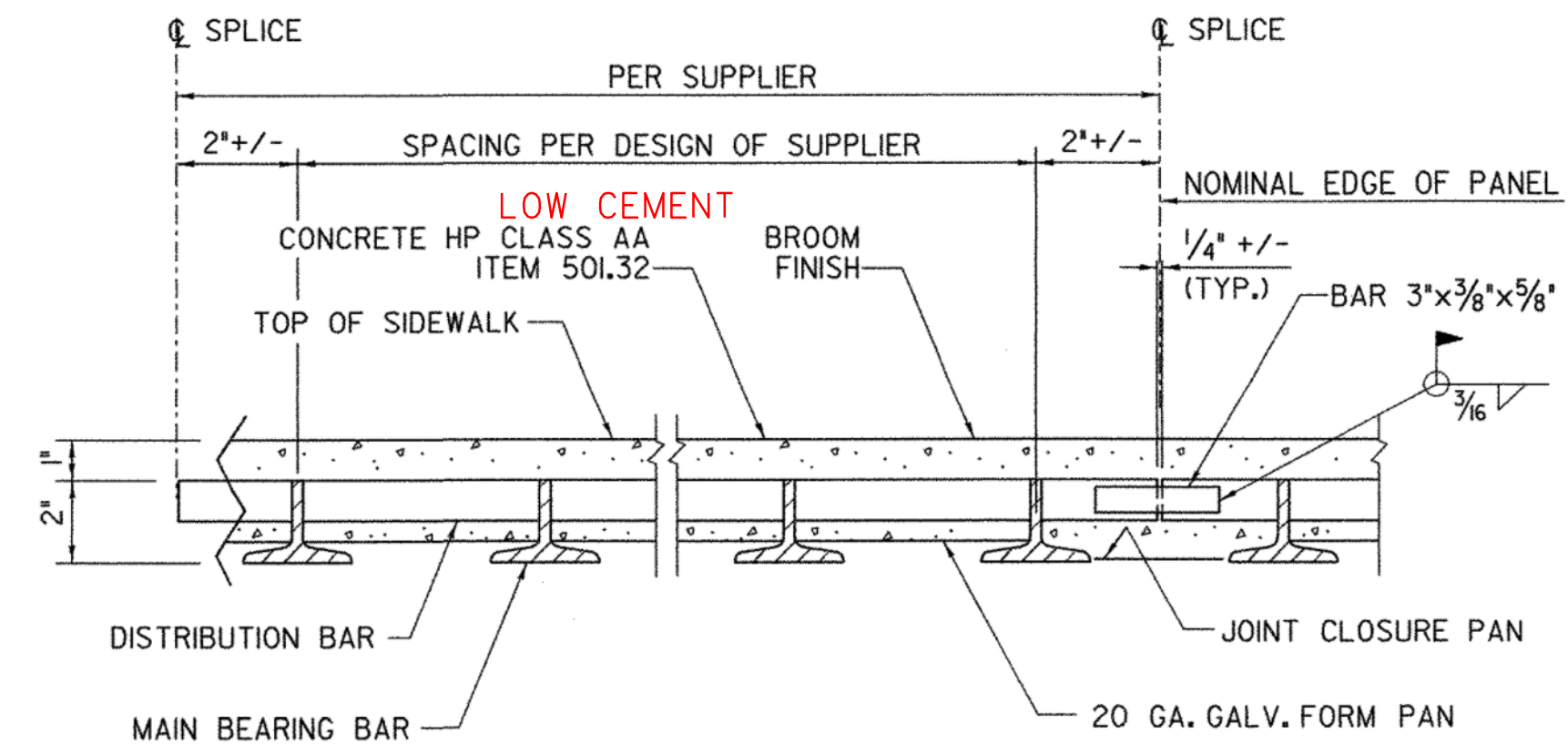
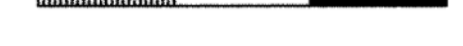


SIDEWALK & RAIL POST SPACING PLAN



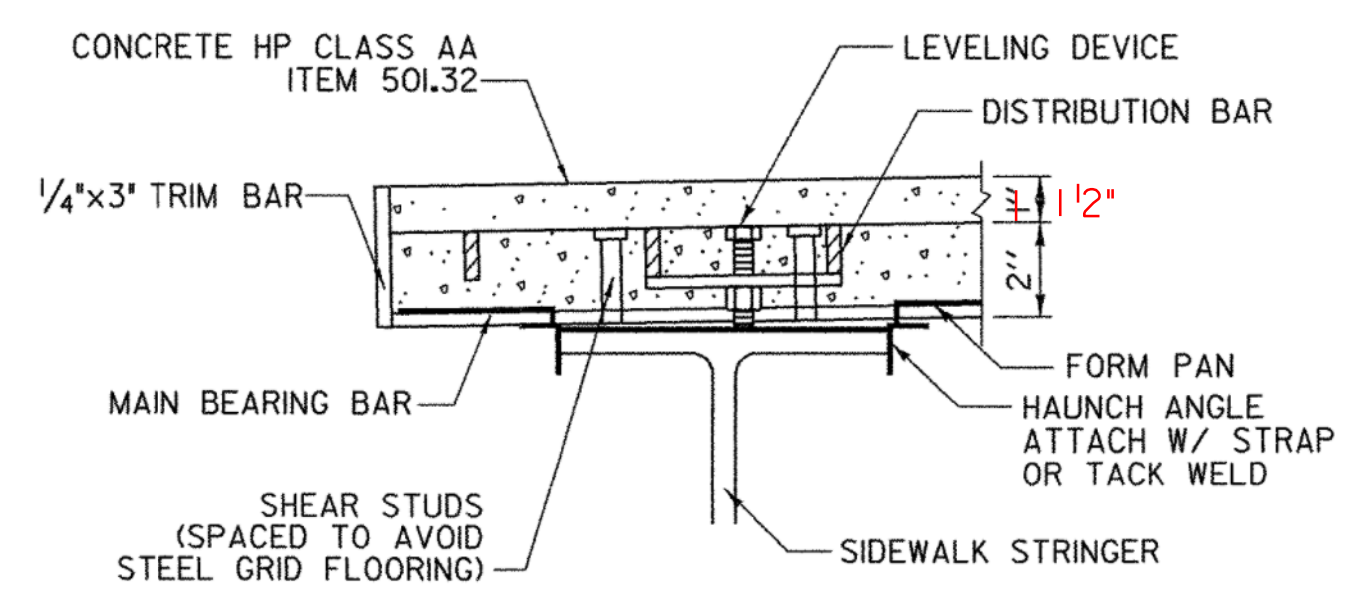
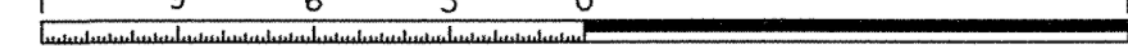
SECTION A-A

SCALE 3/4" = 1'-0"



SECTION B-B

SCALE 3" = 1'-0"



SECTION C-C

NOT TO SCALE

- NOTES:**
- REFER TO SHEET 22 FOR SECTION D-D AND G-G.
 - SIDEWALK DECK POUR SEQUENCE:
CONCRETE SHALL BE PLACED IN ONE CONTINUOUS POUR WITH A MAXIMUM DURATION OF 8 HOURS.
CONCRETE SHALL REMAIN PLASTIC DURING POUR.

STATE OF VERMONT AGENCY OF TRANSPORTATION			
Town Of	RICHMOND	Bridge No.	31
Highway No.	T.H. #1	Log Sta.	
		Surv. Sta.	
TOWN HIGHWAY #1 OVER WINOOSKI RIVER			
SIDEWALK DETAILS 1			
Designed By	T. KNIGHT	Drawn By	J. SOTER
Checked By	Date	Bridge Design Supervisor	
T. KNIGHT	01/09	G. BOGUE	Date 01/09
PROJECT	RICHMOND	PROJECT NO.	BHF 0209(5)
CAD Dwg: ... \z081132_SIDEWALK_DET5.dgn		Plot Date:	1/8/2009
Bridge Sheet No.		Sheet	21 of 50

