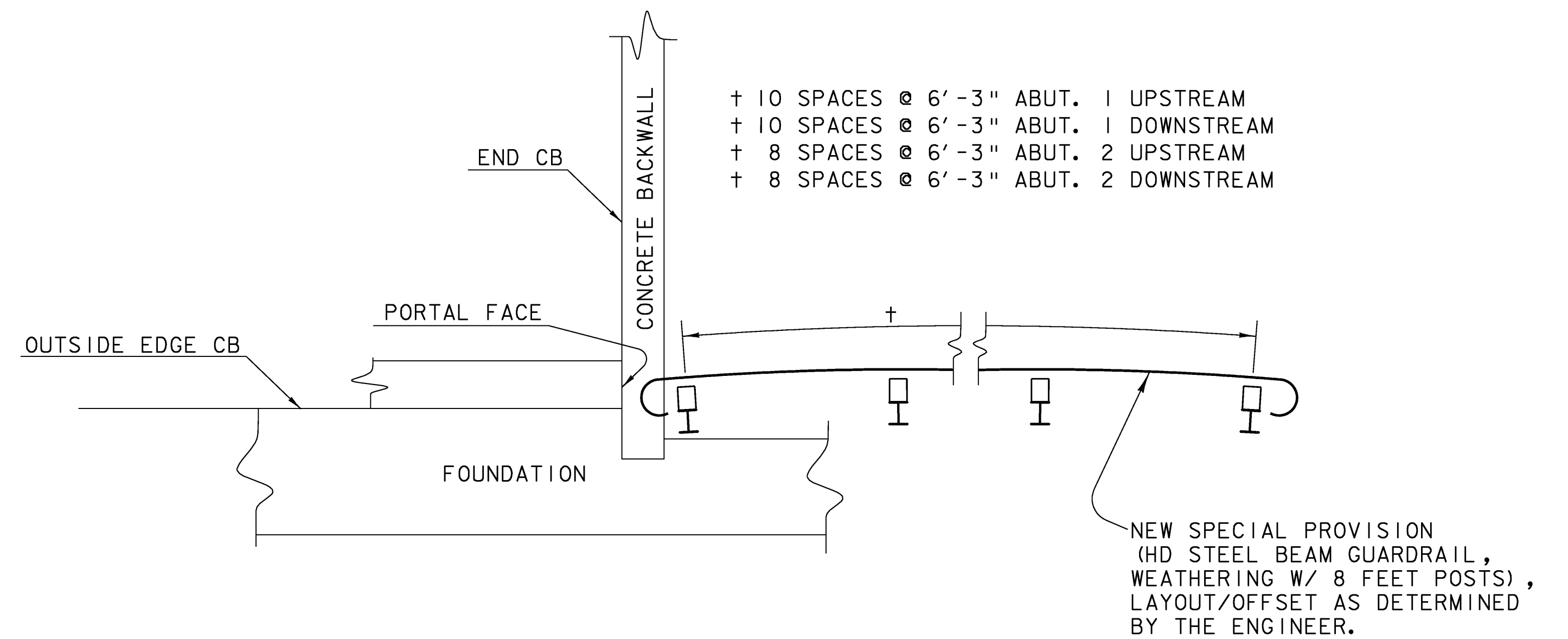
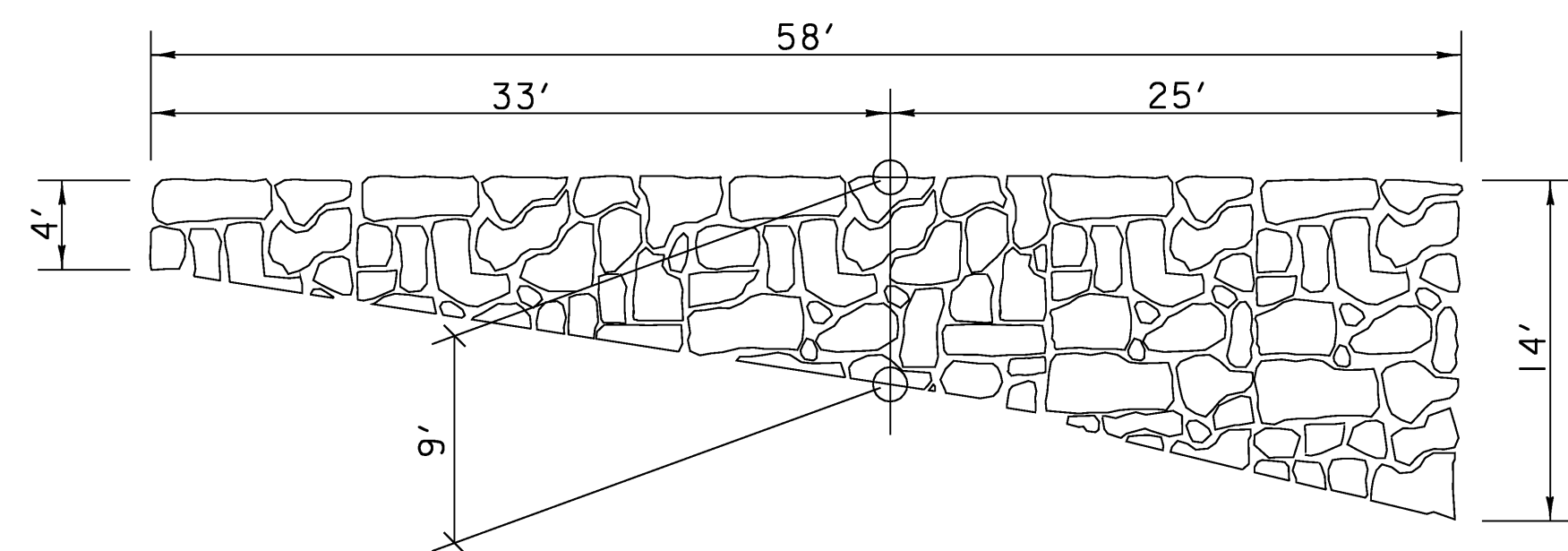


PLAN - EXISTING CONDITIONS

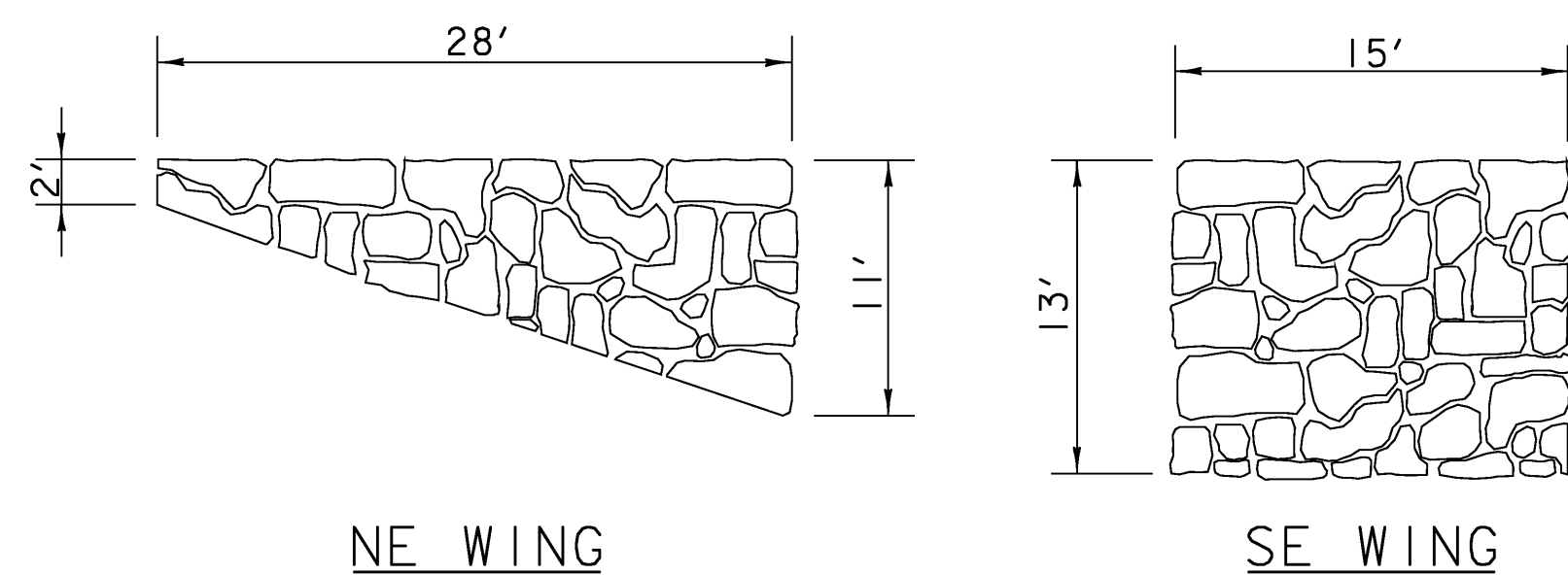
0 20 40  
SCALE: 1" = 20'



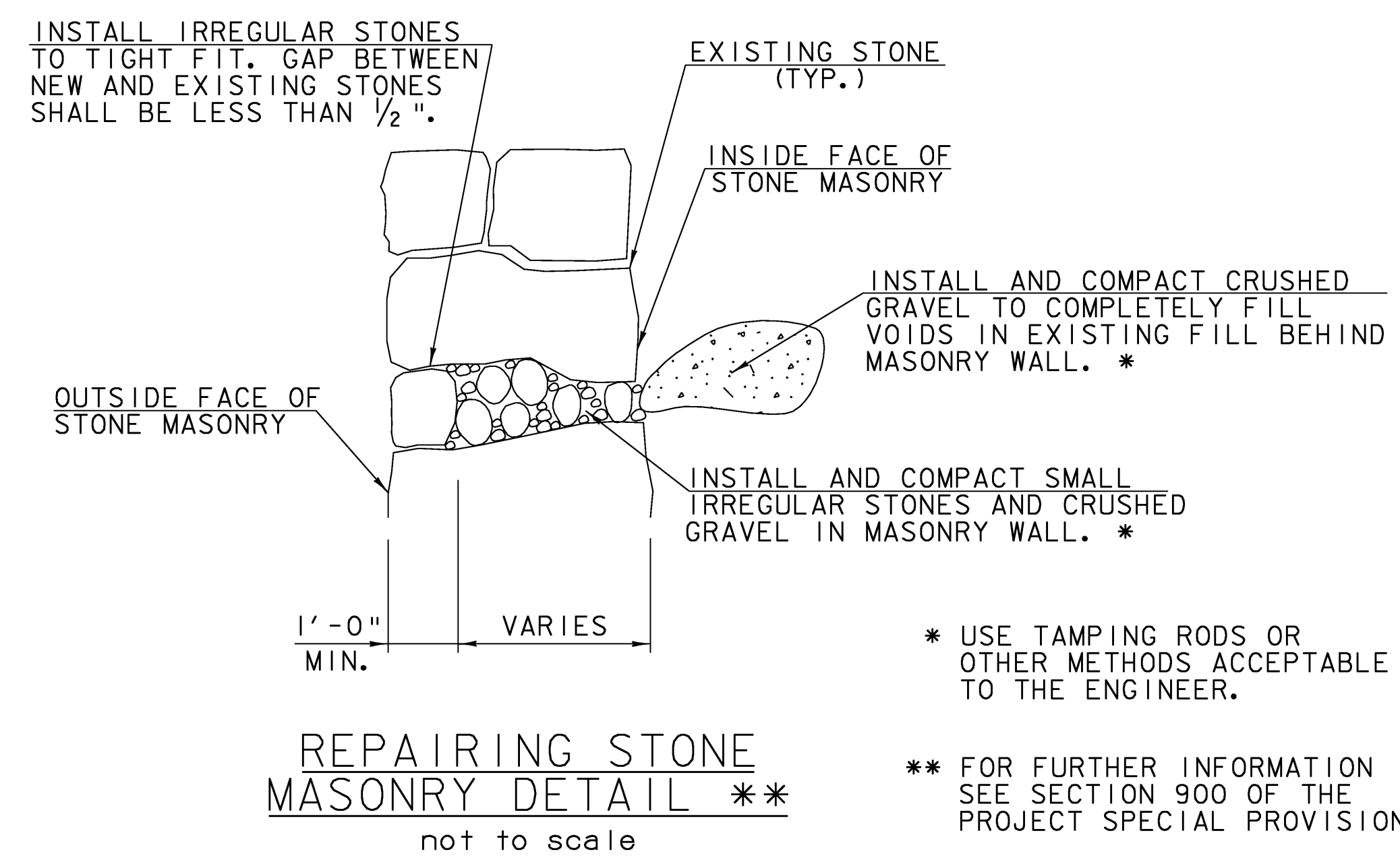
RAILING PLAN  
not to scale



ABUTMENT #1 SW WING ELEVATION  
not to scale



ABUTMENT #2 WING ELEVATIONS  
not to scale



REPAIRING STONE MASONRY DETAIL \*\*  
not to scale

- \* USE TAMPING RODS OR OTHER METHODS ACCEPTABLE TO THE ENGINEER.
- \*\* FOR FURTHER INFORMATION SEE SECTION 900 OF THE PROJECT SPECIAL PROVISIONS.

NOTES:

1. ABUTMENT #2 IS LOCATED ON THE FAR SIDE OF THE STRUCTURE, WITH UPSTREAM TO THE LEFT OF THE VIEWER.
2. ALL DIMENSIONS ARE APPROXIMATE AND SHALL BE VERIFIED BY THE CONTRACTOR. ALL FACES OF SUBSTRUCTURE SHOWN ON THESE PLANS SHALL BE REPAIRED AS SPECIFIED BY SPECIAL PROVISION (REPAIRING STONE MASONRY).
3. SEE SHEET 4 FOR ESTIMATED AREA OF STONE MASONRY REPOINTING.

PROJECT:	HARTLAND	BHO 1444 (54)
DESIGN FILE NAME:	G:\...\Hartlanddetails.dgn	
IPARM FILE NAME:	Hartlanddetails.i	
DESIGNED BY:	J. WEAVER	PLOT DATE: 03-OCT-2008
DRAWN BY:	WEEBER	
CHECKED BY:	J. WEAVER	
DETAIL SHEET	SHEET: 5 OF 5	