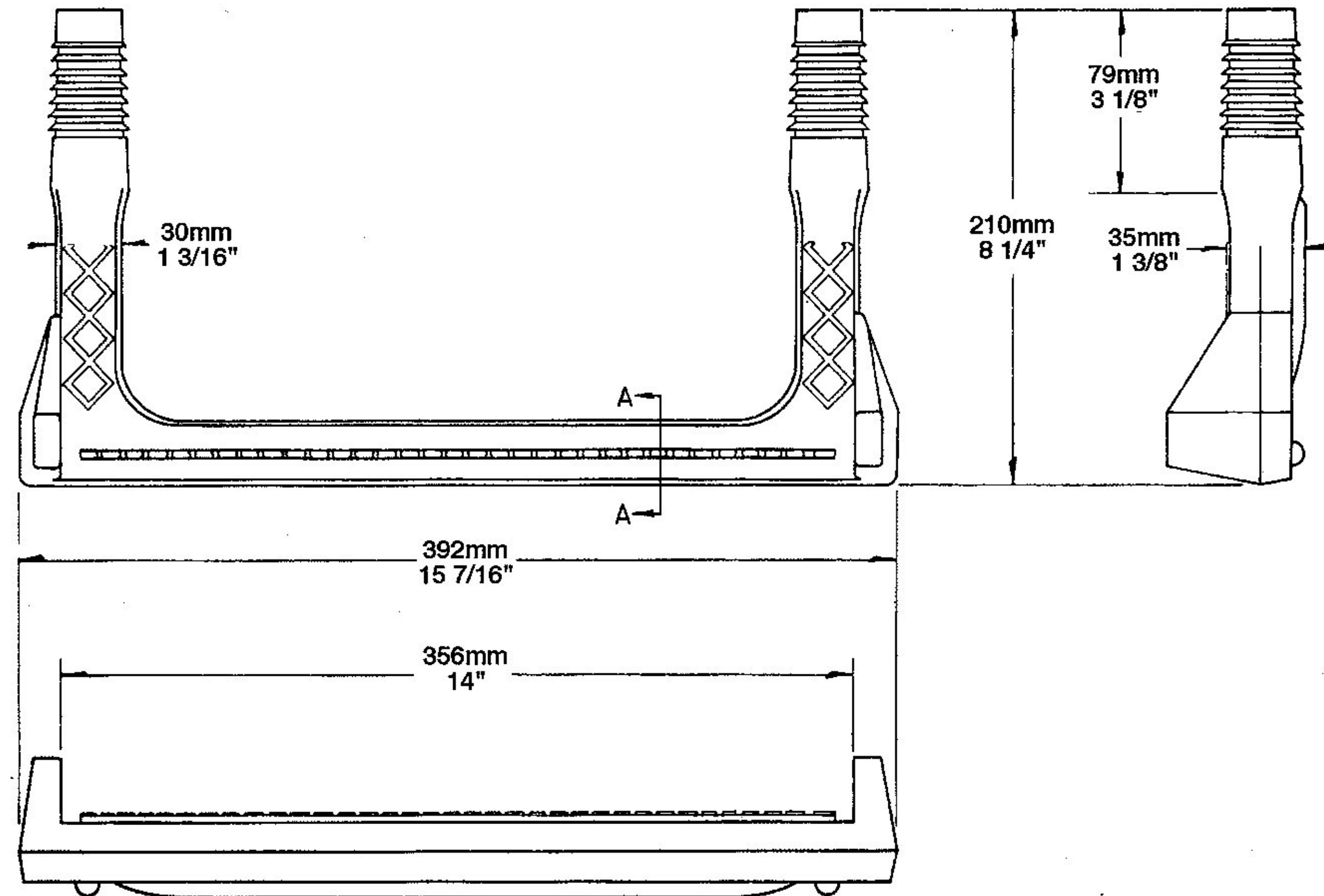


PS2-PFSL

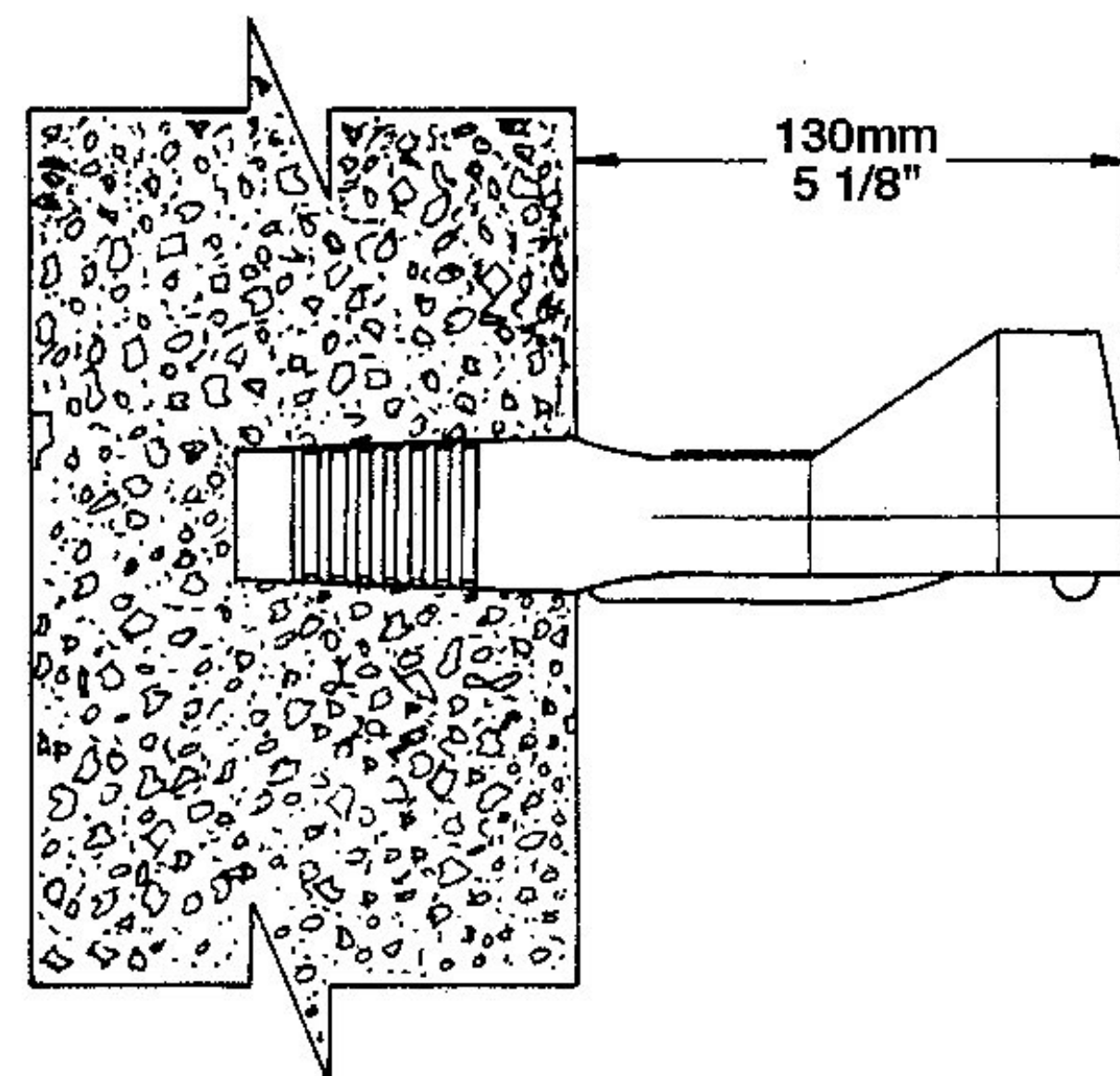
Manhole Step



- NO EXCEPTION TAKEN
- MAKE CORRECTIONS NOTED
- REJECTED
- REVISE AND RESUBMIT
- SUBMIT SPECIFIED ITEM

**Copolymer Polypropylene Plastic**

**13mm 1/2" GRADE 60 STEEL REINFORCEMENT**



CHECKING IS ONLY FOR THE GENERAL CONFORMANCE WITH THE DESIGN CONCEPT OF THE PROJECT AND GENERAL CONFORMANCE WITH THE INFORMATION GIVEN IN THE CONTRACT DOCUMENTS. ANY ACTION SHOWN IS SUBJECT TO THE REQUIREMENTS OF THE PLANS AND SPECIFICATIONS. CONTRACTOR IS RESPONSIBLE FOR DIMENSIONS WHICH SHALL BE CONFIRMED AND CORRELATED AT THE JOB SITE; FABRICATION PROCESSES AND TECHNIQUES OF CONSTRUCTION, COORDINATION OF HIS WORK WITH THAT OF ALL OTHER TRADES AND THE SATISFACTORY PERFORMANCE OF THE WORK.

SECTION-A

**CHA**

DATE 3/25/2015 BY James Rashford

- MEETS: ASTM-C-478
- ASTM-D-4101
- ASTM-A-615
- AASHTO-M-199



**M.A. INDUSTRIES, INC.**

P.O. Box 2322, 303 Dividend Dr. • Peachtree City, GA 30269 • Phone: (770) 487-7761 • Molding Sales Fax: (770) 487-1482 • Corporate Fax: (770) 631-4679