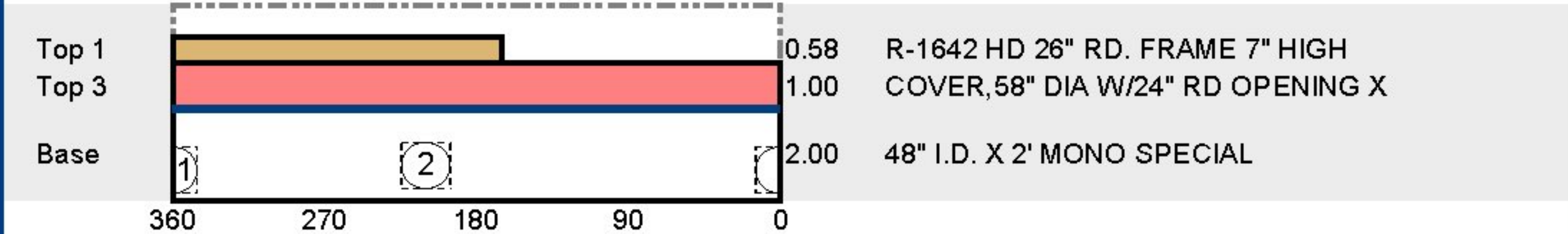


**Structure Product Detail**

Item	Product	Qty	Product Description	Yards	Weight
	2000000	0.5	TRUCKING, FLAT BED	0.00	0
Rim	N164250	1	R-1642 HD 26" RD. LID "SEWER"	0.00	126
Top 1	N164220	1	R-1642 HD 26" RD. FRAME 7" HIGH	0.00	147
Top 3	0548503	1	COVER,58" DIA W/24" RD OPENING X 12" HIGH	0.43	1,700
Base	0548020	1	48" I.D. X 2' MONO SPECIAL	0.87	3,477
Misc 1	1403100	2	MASTIC, CON-SEAL, 1" X 14 1/2' (8 ROLLS/BOX) CS-102	0.00	2
Misc 2	1600013	2	LADDER RUNG, PS2-PFSL 13 3/4"(1 1/4" DIA) (500/P)	0.00	2
Acces	40612W	2	BOOT, KOR N SEAL 12W-(1-180 BAND)C-12-2-10 IPS	0.00	14
	0930002	1	INVERT, SLOPED FOR 2 LINES	0.57	2,300
	1614801	4	Coating for 48"ID	0.00	0
	1211180	2	BAND, KOR-N-SEAL 1-180	0.00	0
<b>Structure Totals</b>				<b>1.87</b>	<b>7,769</b>

**Inside Area View**

Rim to Invert	3.93'	Precast Height	3.58'	Wall	5.00"
Less Casting	3.93'	Floor	8.00"	Sump	0.33'
Invert to Floor	0.33'	Plus Floor	4.25'		
Adjustment (Brick/Mort.)	0.68				



**Elevations**

Rim	Elev	Angle	Pipe	Hole Type	Hole" Height	Hole" Width	Up"	Item
(1)	526.03							
(1)	522.1	0	8 DUCTILE	40612WP	12	12	2	Base
(2)	522.2	210	8 DUCTILE	40612WP	12	12	3	Base
(3)		0			0	0	0	
(4)		0			0	0	0	
(5)		0			0	0	0	
(6)		0			0	0	0	
(7)		0			0	0	0	
(8)		0			0	0	0	

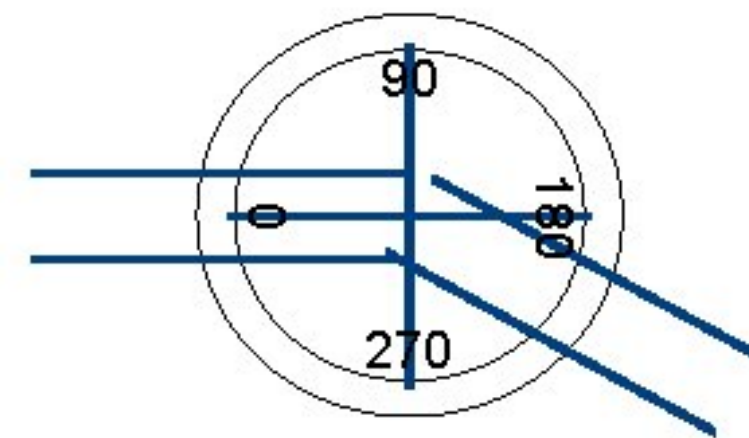
Description: 48" I.D. X 2' MONO SPECIAL

Product ID: 0548020S

Item: Base

Step Location: 90

8 DUCTILE/40612WP  
H 12" / W 12.00"  
Over: .00  
Up: 2" / Ang 0



8 DUCTILE/40612WP  
H 12" / W 12.00"  
Over: 87.92  
Up: 3" / Ang 210

- NO EXCEPTION TAKEN
- MAKE CORRECTIONS NOTED
- REJECTED
- REVISE AND RESUBMIT
- SUBMIT SPECIFIED ITEM

CHECKING IS ONLY FOR THE GENERAL CONFORMANCE WITH THE DESIGN CONCEPT OF THE PROJECT AND GENERAL COMPLIANCE WITH THE INFORMATION GIVEN IN THE CONTRACT DOCUMENTS. ANY ACTION SHOWN IS SUBJECT TO THE REQUIREMENTS OF THE PLANS AND SPECIFICATIONS. CONTRACTOR IS RESPONSIBLE FOR DIMENSIONS WHICH SHALL BE CONFIRMED AND CORRELATED AT THE JOB SITE; FABRICATION PROCESSES AND TECHNIQUES OF CONSTRUCTION; COORDINATION OF HIS WORK WITH THAT OF ALL OTHER TRADES AND THE SATISFACTORY PERFORMANCE OF THE WORK.



DATE 3/25/2015 BY James Rashford