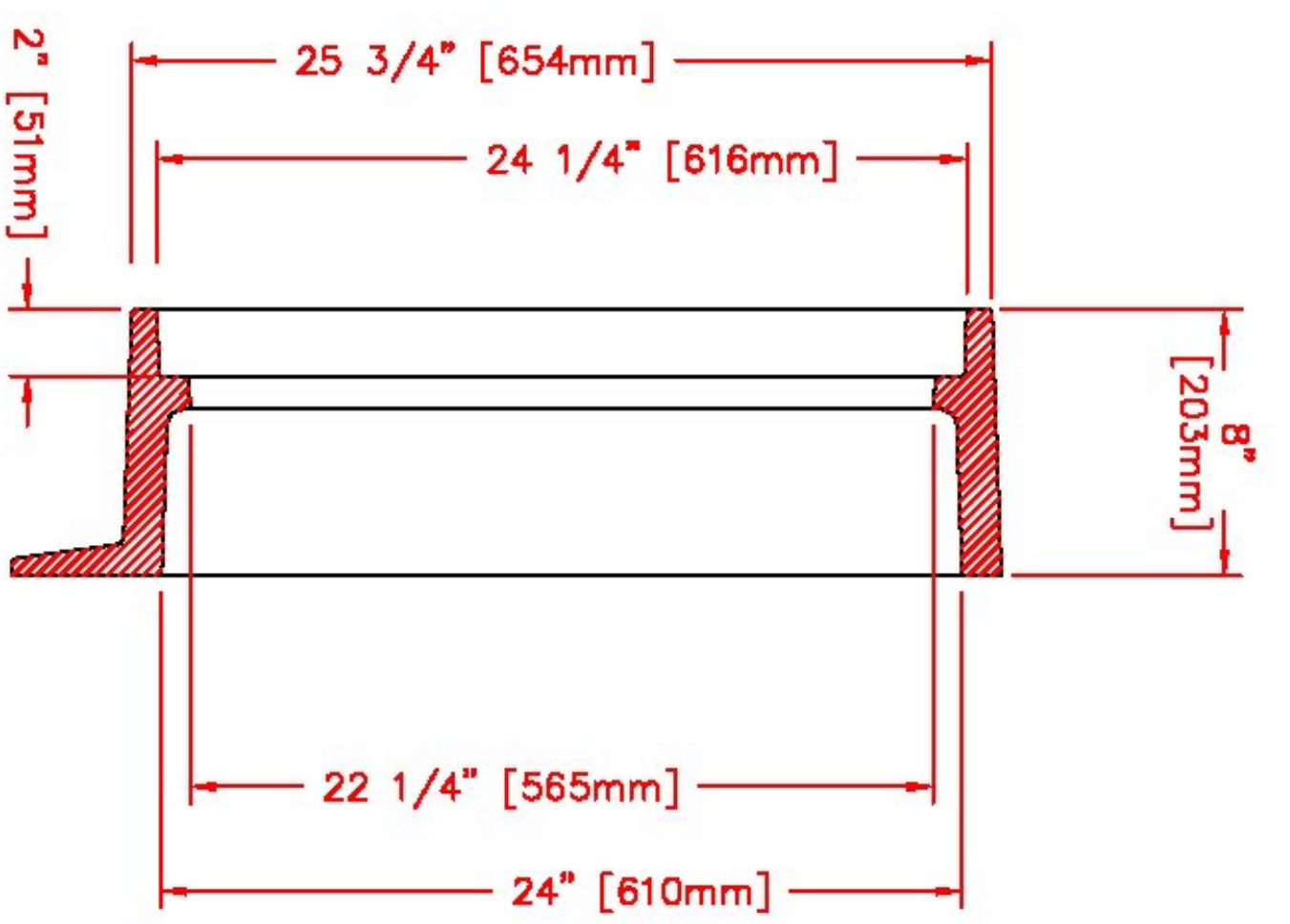
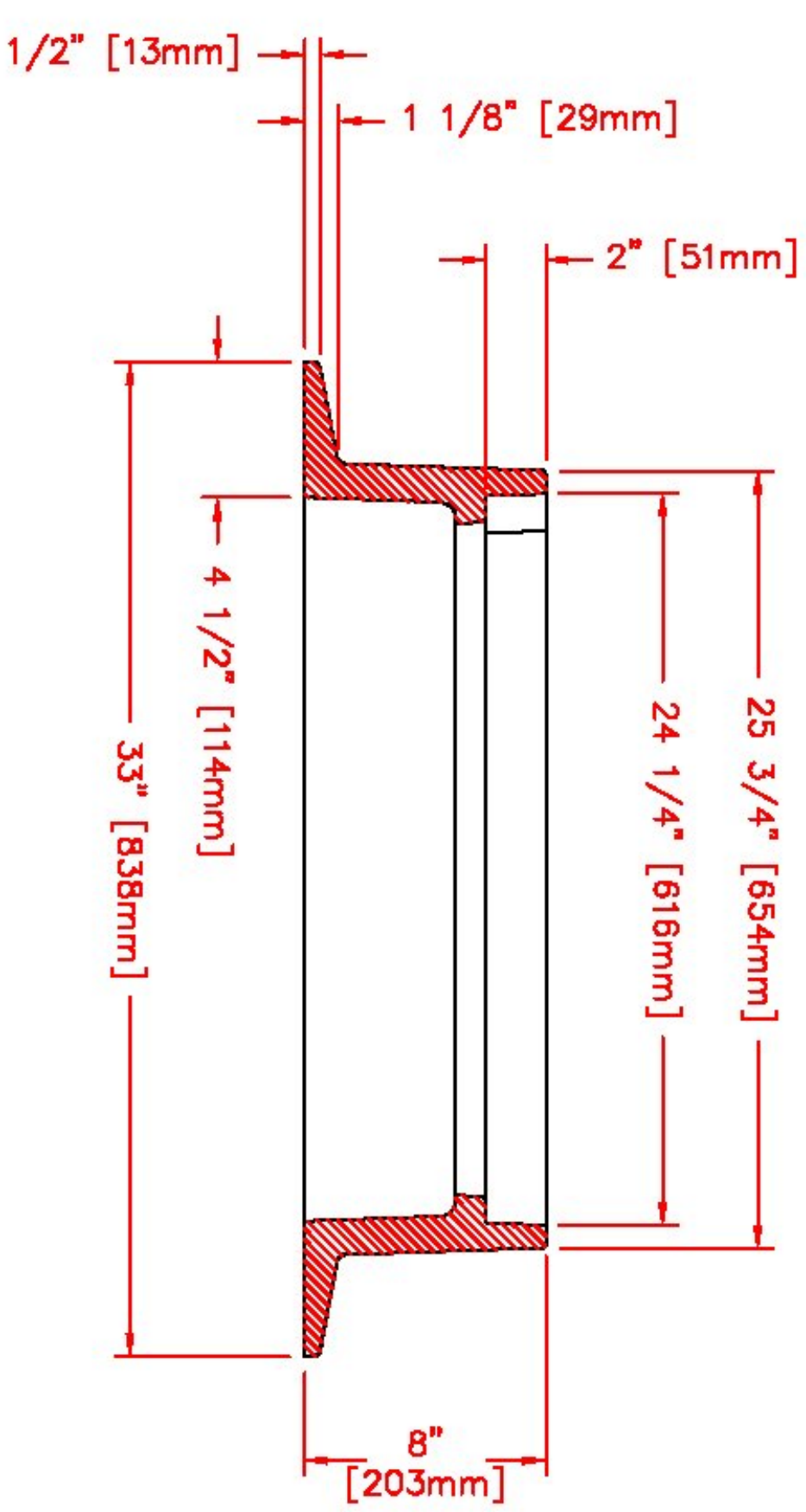
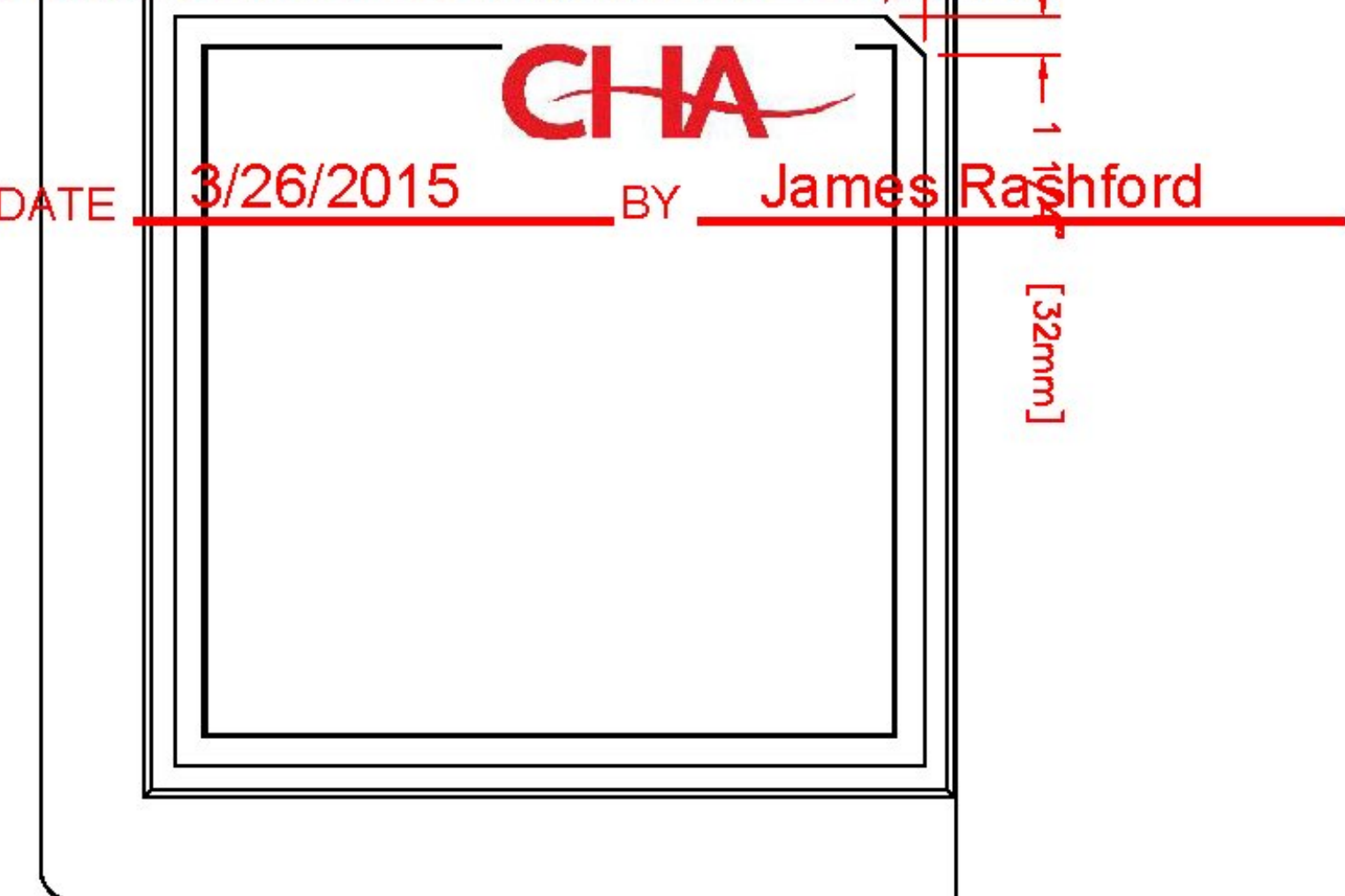


- NO EXCEPTION TAKEN
- MAKE CORRECTIONS NOTED
- REJECTED
- REVISE AND RESUBMIT
- SUBMIT SPECIFIED ITEM

CHECKING IS ONLY FOR THE GENERAL CONFORMANCE WITH THE DESIGN CONCEPT OF THE PROJECT AND GENERAL COMPLIANCE WITH THE INFORMATION GIVEN IN THE CONTRACT DOCUMENTS. ANY ACTION SHOWN IS SUBJECT TO THE REQUIREMENTS OF THE PLANS AND SPECIFICATIONS. CONTRACTOR IS RESPONSIBLE FOR DIMENSIONS WHICH SHALL BE CONFIRMED AND CORRELATED AT THE JOB SITE, FABRICATION PROCESSES AND TECHNIQUES OF CONSTRUCTION, COORDINATION OF HIS WORK WITH THAT OF ALL OTHER TRADES AND THE SATISFACTORY PERFORMANCE OF THE WORK.



NOTE: ALL DIMENSIONS ARE SHOWN IN ENGLISH AND [METRIC]
 FRAME SHALL NOT HAVE ANY MANUFACTURER IDENTIFICATION MARKS.
 MATERIAL: CAST GRAY IRON ASTM A-48, CLASS 35B
 FINISH: NOT PAINTED
 WEIGHT: 250#

WAS NF-13745-A

DR.	KMH
CH.	
APP.	
DATE	05-13-99

SCALE	1/8"=1'
DWG. CHK.	

TITLE:
NEENAH
 FOUNDRY COMPANY
NEENAH WISCONSIN 54956

R-3589
 FRAME
 NF-35890001 B