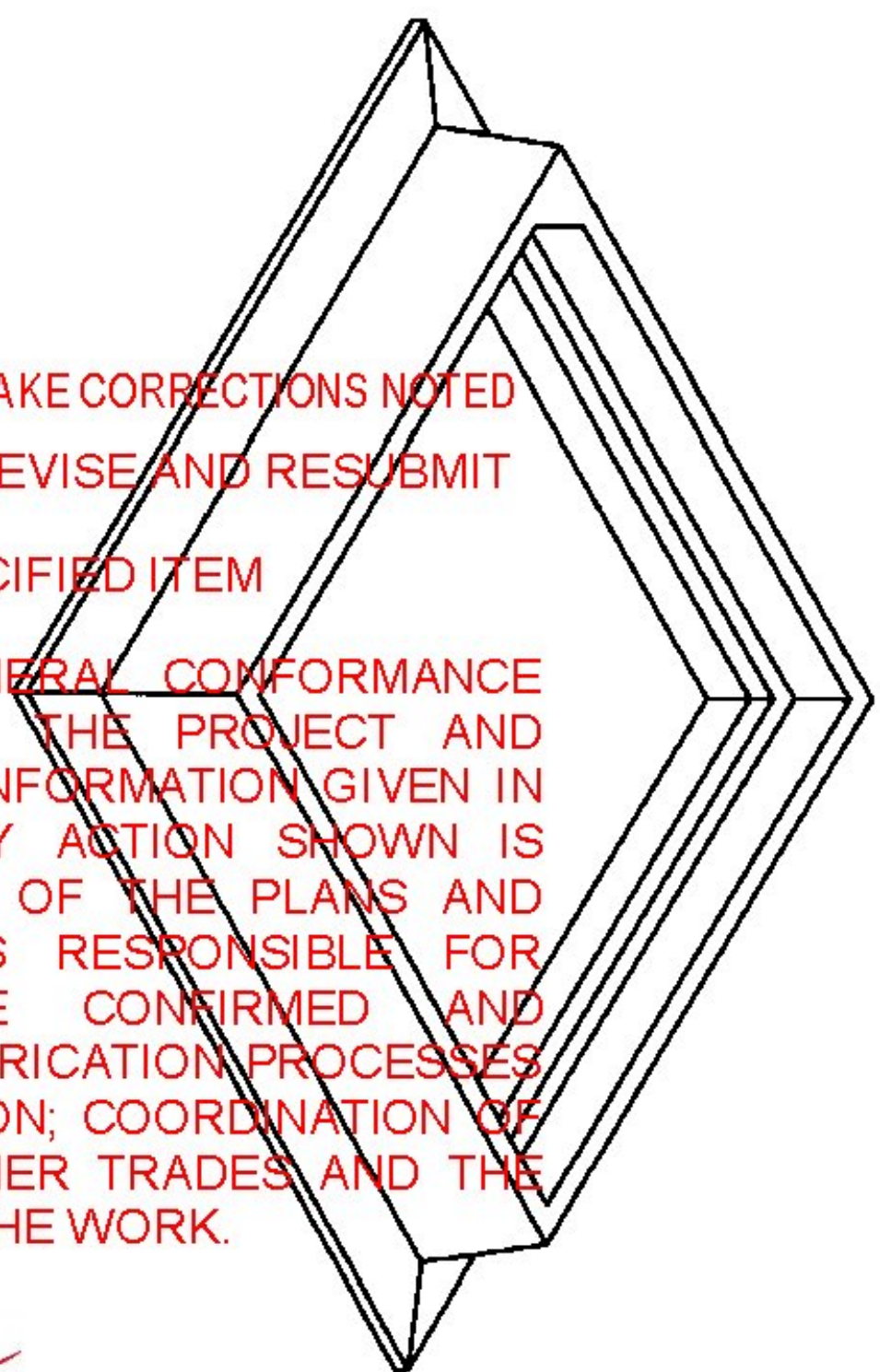
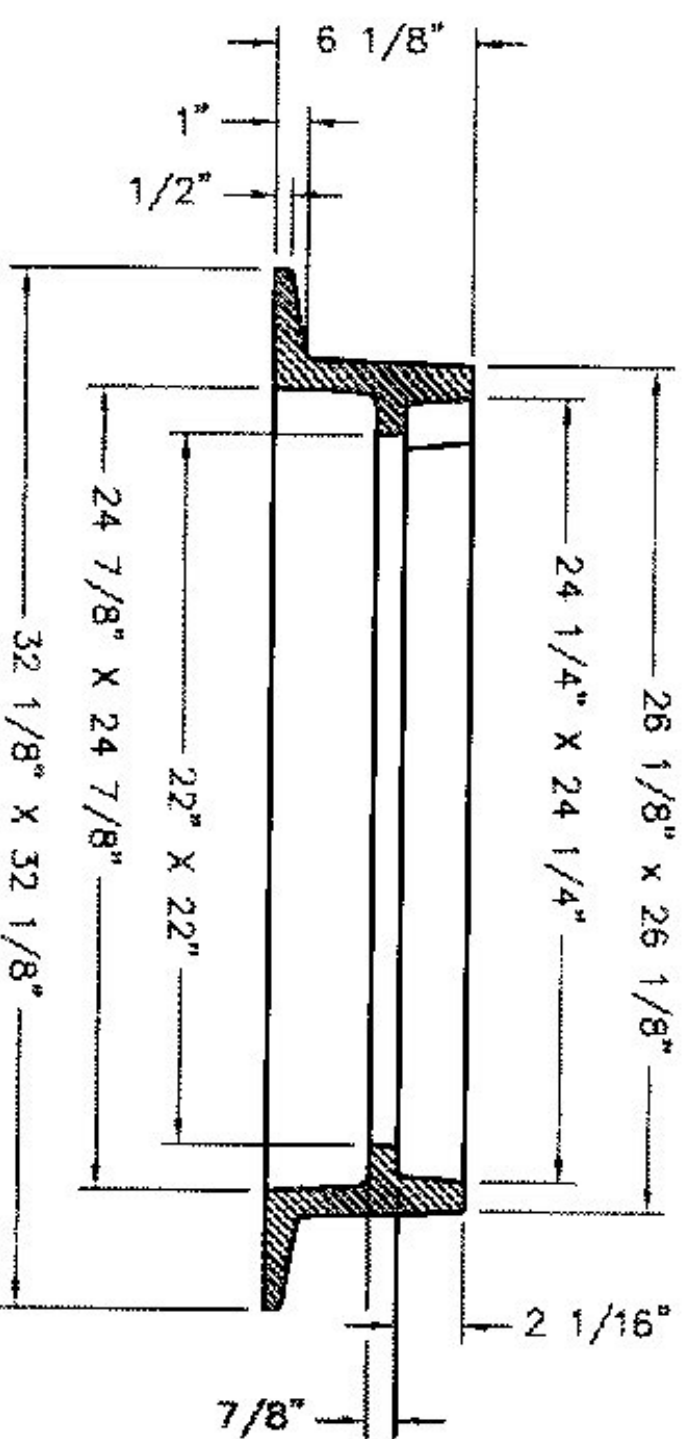
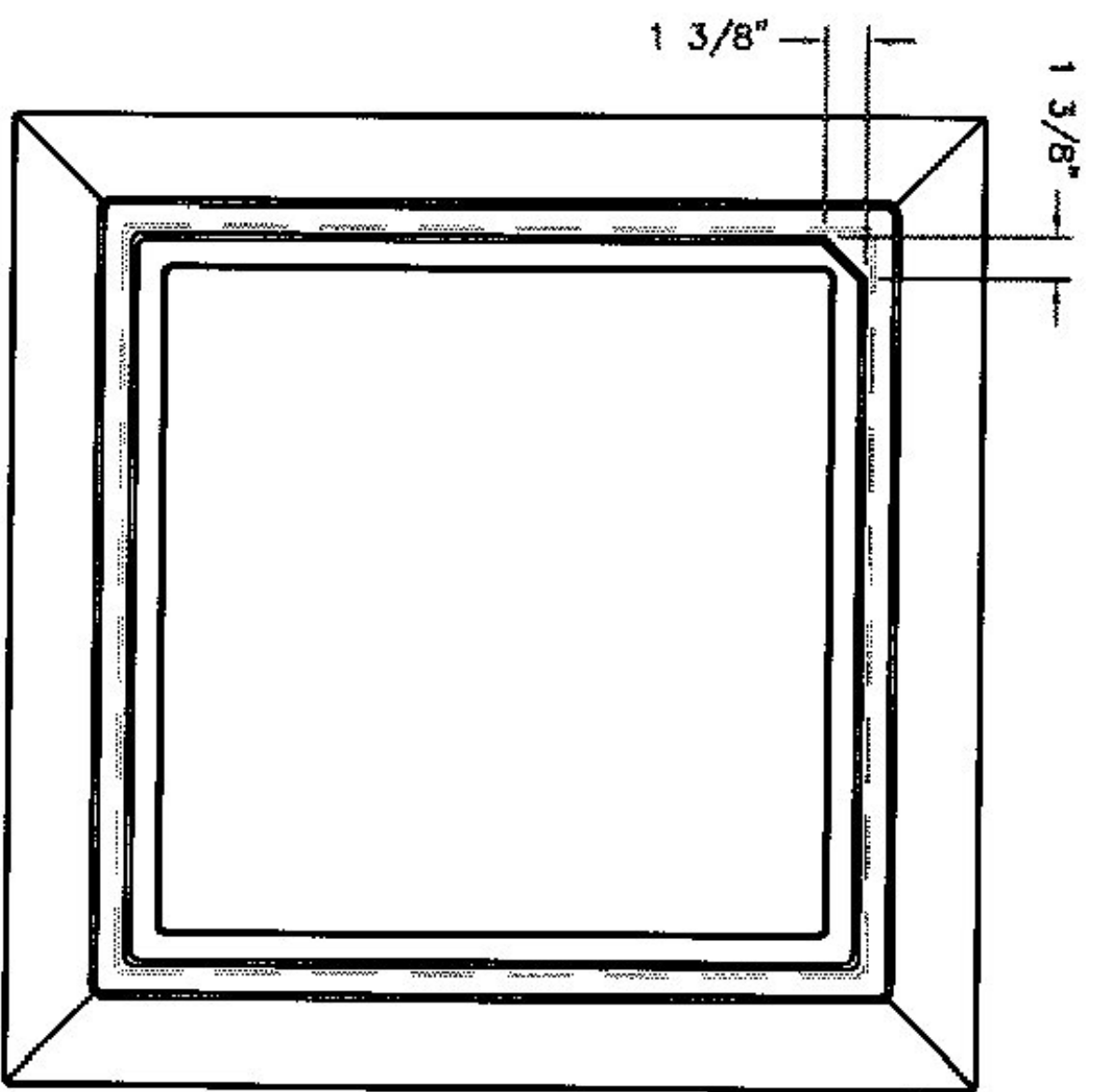


34050003--2

B8



- NO EXCEPTION TAKEN
- MAKE CORRECTIONS NOTED
- REJECTED
- REVISE AND RESUBMIT
- SUBMIT SPECIFIED ITEM

CHECKING IS ONLY FOR THE GENERAL CONFORMANCE WITH THE DESIGN CONCEPT OF THE PROJECT AND GENERAL COMPLIANCE WITH THE INFORMATION GIVEN IN THE CONTRACT DOCUMENTS. ANY ACTION SHOWN IS SUBJECT TO THE REQUIREMENTS OF THE PLANS AND SPECIFICATIONS. CONTRACTOR IS RESPONSIBLE FOR DIMENSIONS WHICH SHALL BE CONFIRMED AND CORRELATED AT THE JOB SITE; FABRICATION PROCESSES AND TECHNIQUES OF CONSTRUCTION; COORDINATION OF HIS WORK WITH THAT OF ALL OTHER TRADES AND THE SATISFACTORY PERFORMANCE OF THE WORK.

CHA

DATE 3/26/2015 BY James Rashford

CAD DWG. REF: 34050003.DWG-- 2

DATE	DESCRIPTION

DATE	11-24-2010
APP.	www.neenahfoundry.com
DR.	CSM
SCALE	1/8"=1"
TITLE	R-3405-A
FRAME	FRAME
NEENAH FOUNDRY	NEENAH FOUNDRY
PHONE: 1-800-558-5075	PHONE: 1-800-558-5075
NF-34050003	NF-34050003