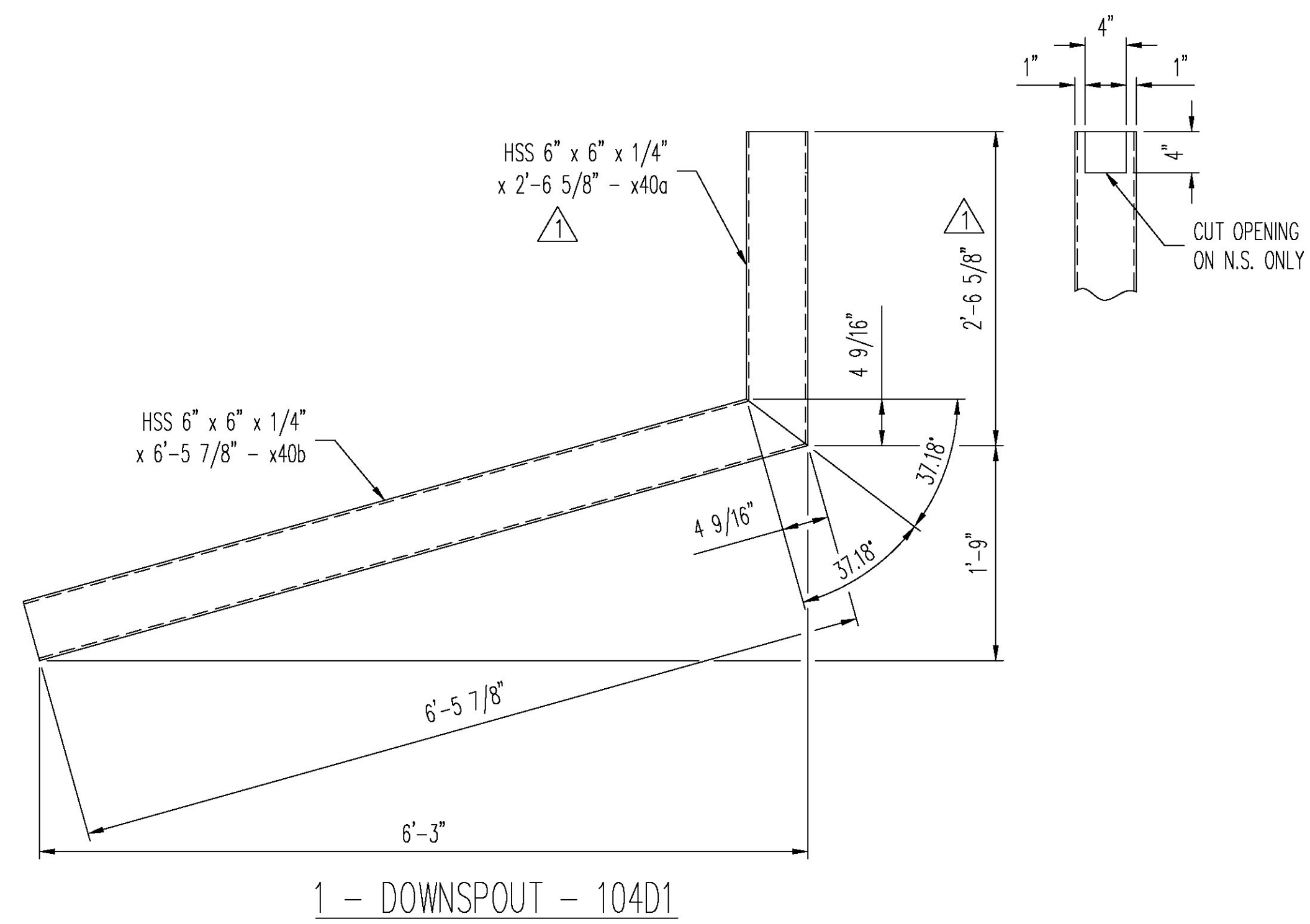
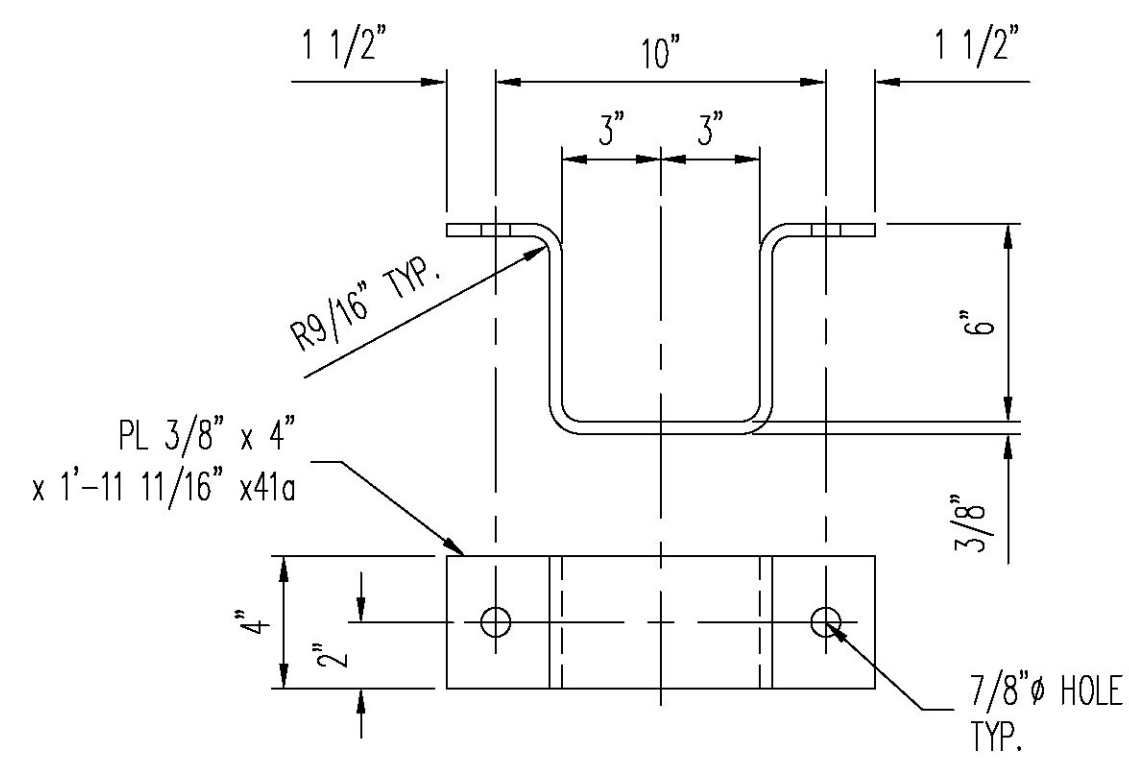


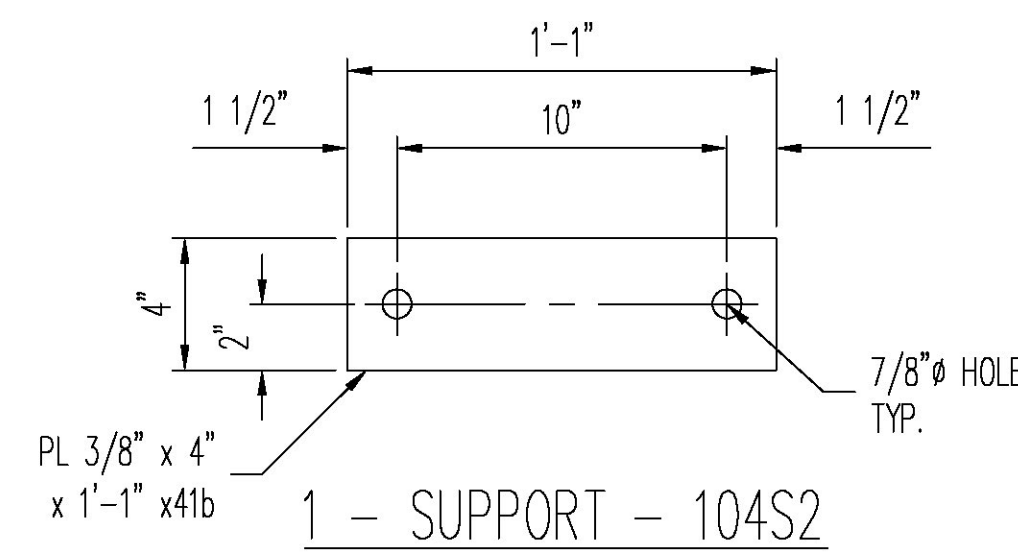
SECTION F-F
(SHEET E101)



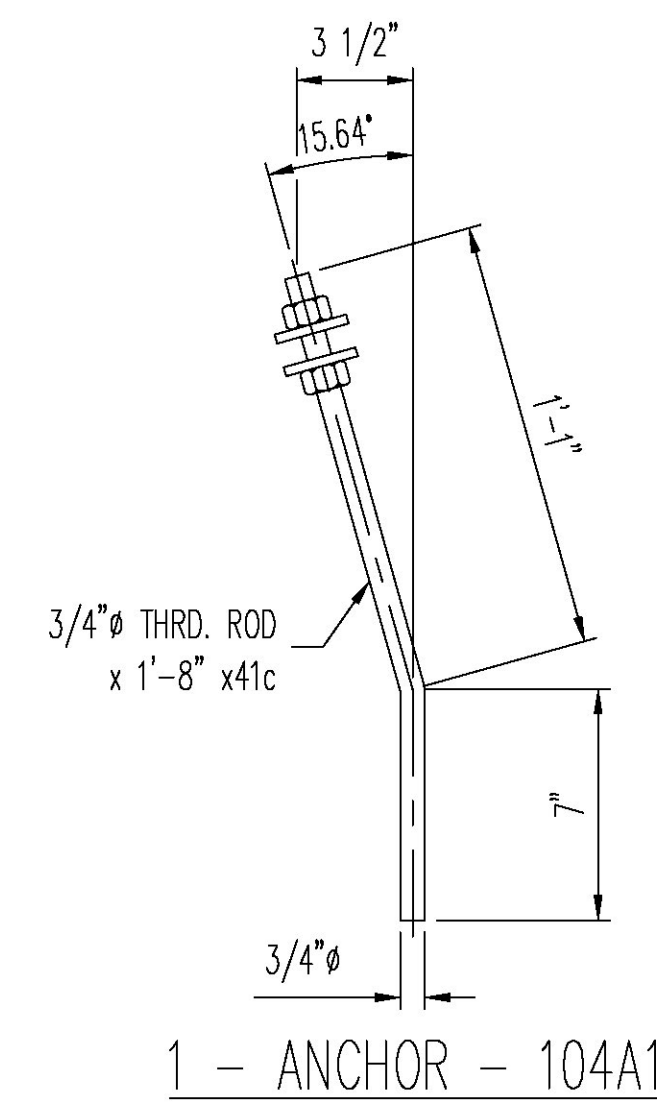
1 - DOWNSPOUT - 104D1



1 - SUPPORT - 104S1



1 - SUPPORT - 104S2



1 - ANCHOR - 104A1

BILL OF MATERIAL

BLOCK QTY.	BLOCK NO.	MARK	NO. PCS	SHAPE	LENGTH FT	IN	REMARKS
1	104D1		ONE	DOWNSPOUT	8	5	GALV
2	x40a		1	HSS 6 X 6 X 1/4	2	6 5/8	A500B
3	x40b		1	HSS 6 X 6 X 1/4	6	5 1/8	A500B
4							
5	104S1		ONE	SUPPORT	1	1	GALV
6	x41a		1	PL 3/8 X 4	1	11 11/16	GALV
7							
8	104S2		ONE	SUPPORT	1	1	GALV
9	x41b		1	PL 3/8 X 4	1	1	GALV
10							
11	104A1		ONE	ANCHOR ROD	1	8	
12	x41c		2	3/4 THRD. RODS	1	8	W 2-NUTS & 2-WASHERS
13							
14							
15							
16							
17							
18							
19							
20							

Vermont Agency of Transportation

RECEIVED

ON: April 12, 2016

and Checked for

CONFORMANCE

BY: ABC DATE:

1	4/07/16	REVISION PER APPROVAL	SLB	JEB		
REV.	DATE	REMARKS	DWN	CHK	APVL	SHOP
MATERIAL:		SURFACE PREP. & PAINT:		HOLES:		SHOP BOLTS:
M270M-250 U.N.O.		GALV. - PER STD. 726.08		AS NOTED		AS NOTED
DESCRIPTION: EXPANSION JOINT - DOWNSPOUT						
CASCO BAY STEEL STRUCTURES, INC.						
1 WALLACE AVE.			PHONE (207) 780-6722			
SOUTH PORTLAND, ME 04106			FAX. (207) 780-6726			
STRUCTURE: BRIDGE NO. 17			DRAWN: SLB		DATE: 03/23/16	
TH 10 (RIPLEY ROAD) OVER OTTER CREEK			CHKD: JEB		DATE: 03/23/16	
STATE OF VERMONT AGENCY OF TRANS.			JOB NO. 598		DWG NO. 104	
LOCATION: RUTLAND CITY, VT			JOB NO. 598		DWG NO. 104	
PROJ NO. BRF 3000(19)			JOB NO. 598		DWG NO. 104	
CUSTOMER: KUBRICKY CONSTRUCTION CORP.			JOB NO. 598		REV. 1	