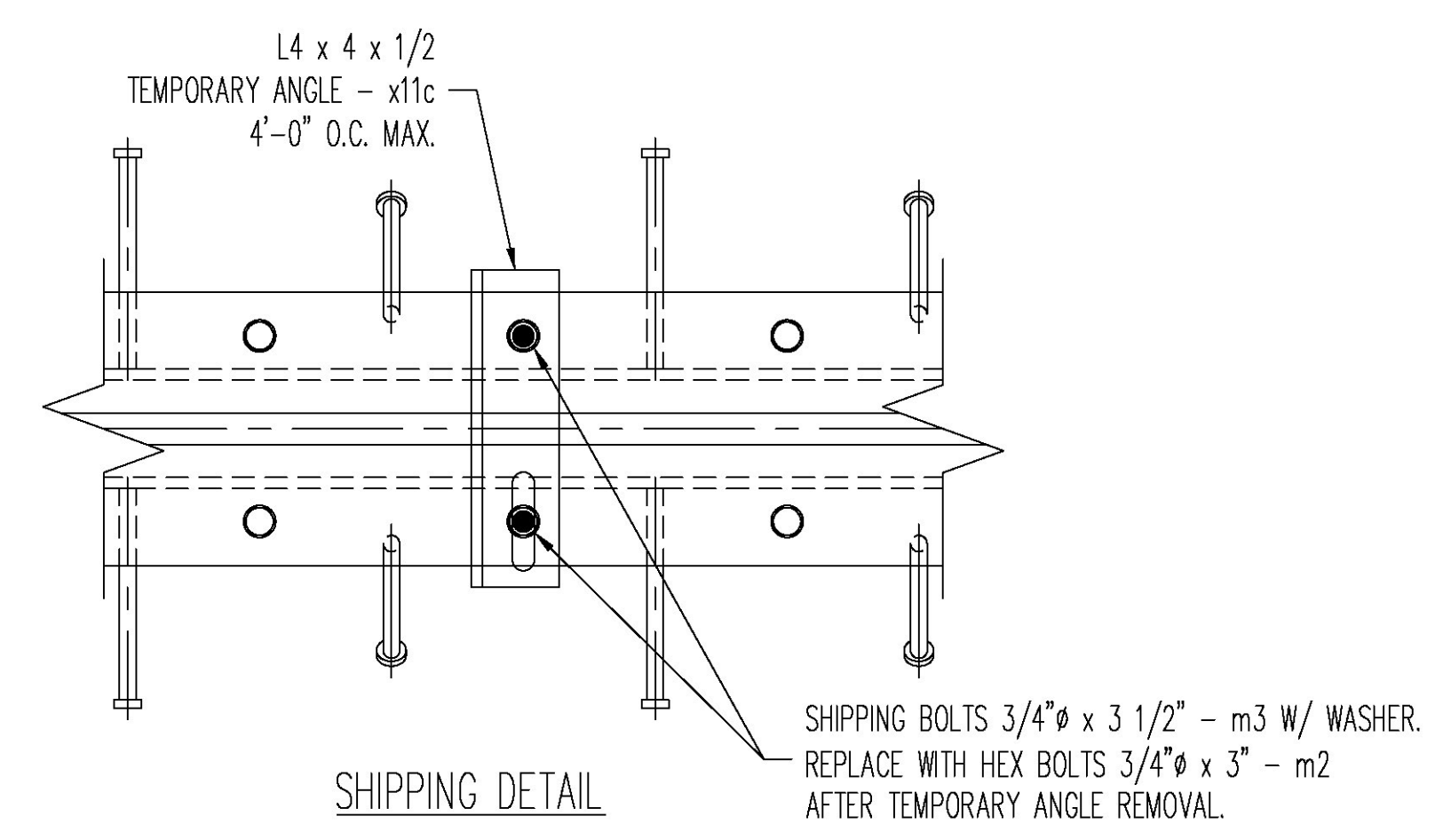
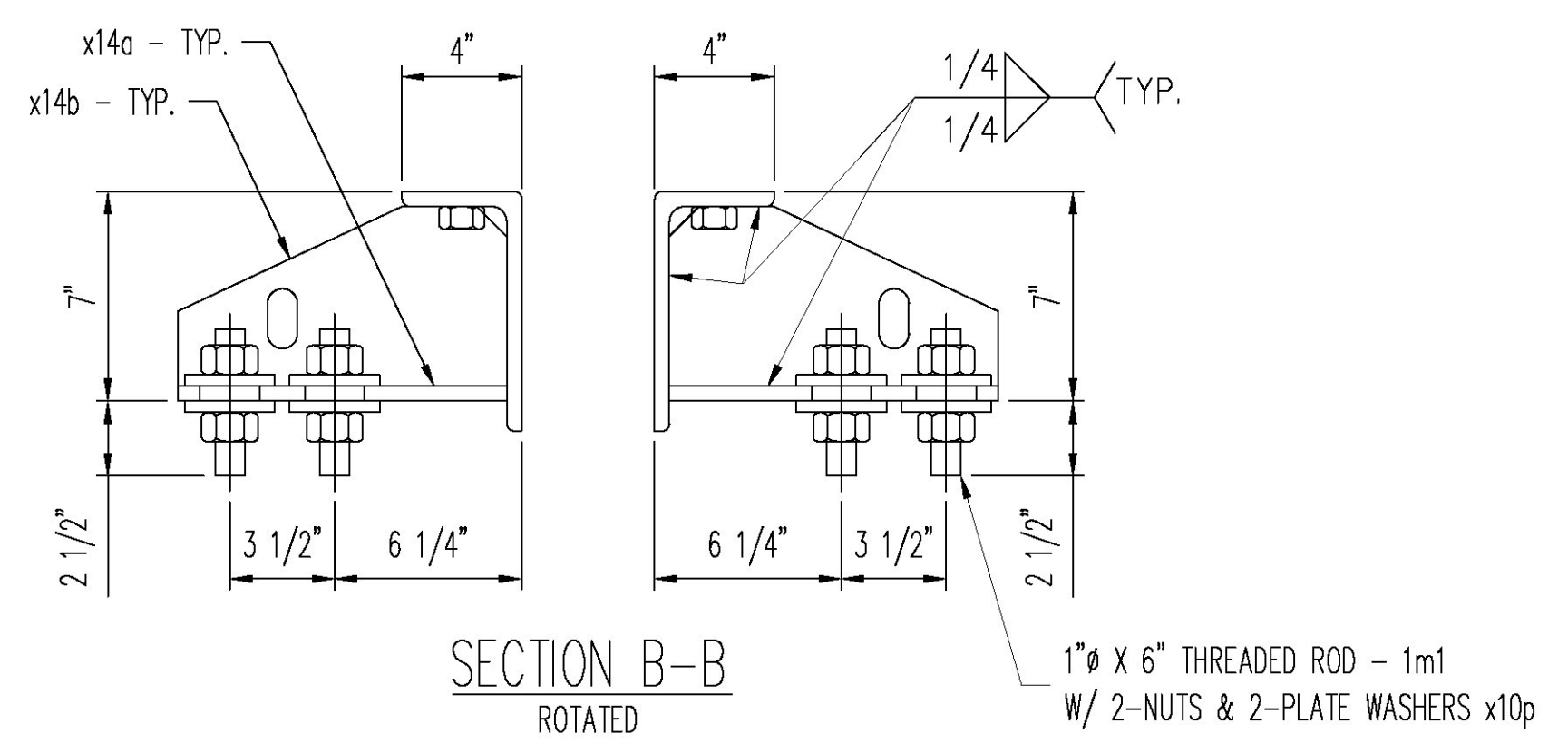


1 ~ LOWER JOINT SUB-ASSEMBLY ~ 102SA1

Vermont Agency of Transportation
RECEIVED
 ON: **April 12, 2016**
 and Checked for
CONFORMANCE
 BY: **ABC** DATE:



1	4/07/16	REVISION PER APPROVAL	SLB	JEB		
REV.	DATE	REMARKS	DWN	CHK	APVL	SHOP
MATERIAL:		SURFACE PREP. & PAINT:		HOLES:		SHOP BOLTS:
M270M-250 U.N.O.		GALV. - PER STD. 726.08		AS NOTED		AS NOTED
DESCRIPTION: EXPANION JOINT - ERECTION SHEET						
CASCO BAY STEEL STRUCTURES, INC.						
1 WALLACE AVE.			PHONE (207) 780-6722			
SOUTH PORTLAND, ME 04106			FAX. (207) 780-6726			
STRUCTURE: BRIDGE NO. 17			DRAWN:	DATE:		
TH 10 (RIPLEY ROAD) OVER OTTER CREEK			SLB	03/23/16		
STATE OF VERMONT AGENCY OF TRANS.			CHKD:	DATE:		
			JEB	03/23/16		
LOCATION: RUTLAND CITY, VT			JOB NO.	DWG NO.		
PROJ NO. BRF 3000(19)			598	102		
CUSTOMER: KUBRICKY CONSTRUCTION CORP.				REV. 1		