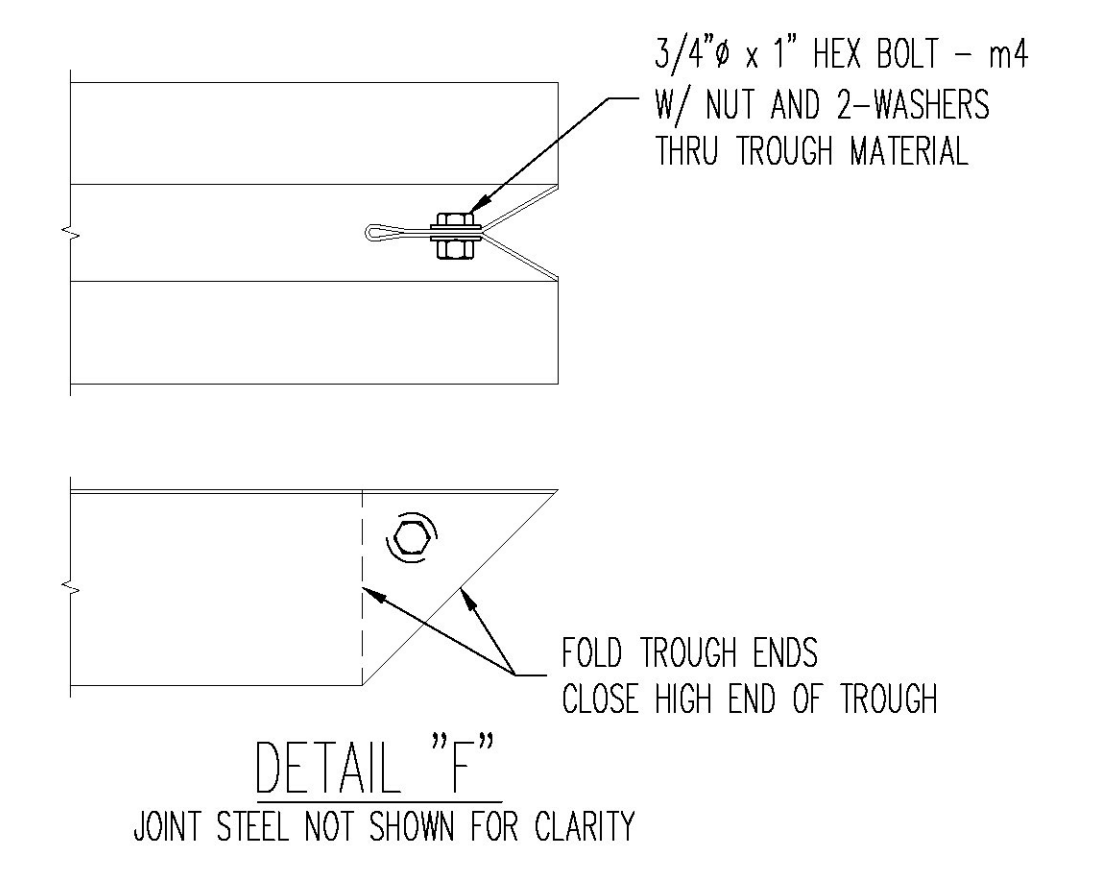
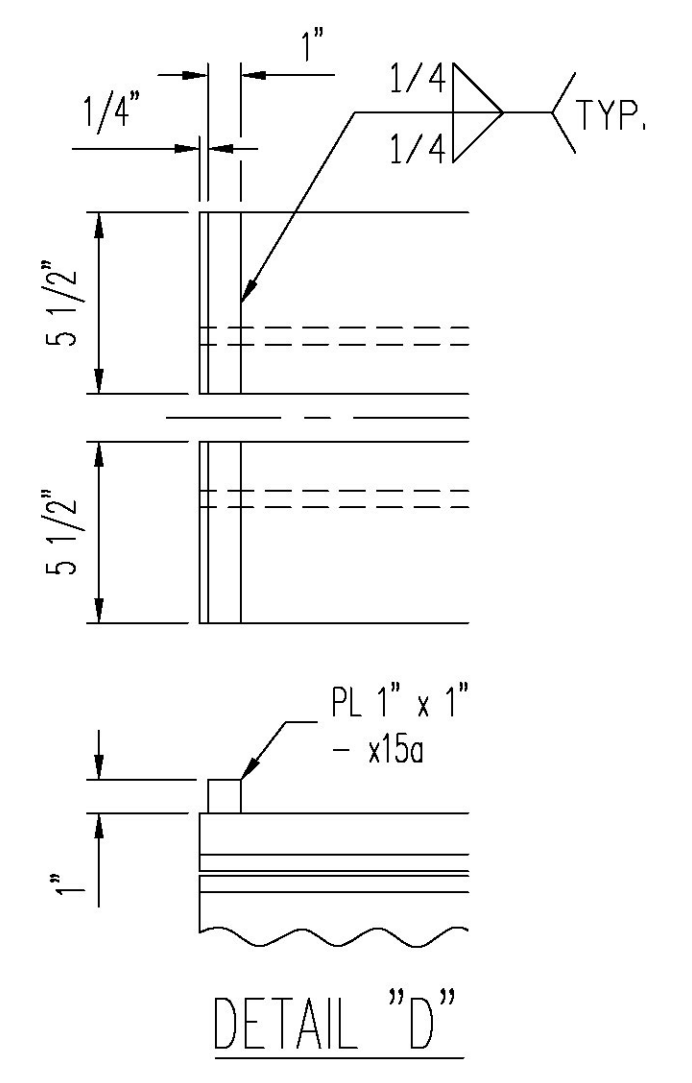
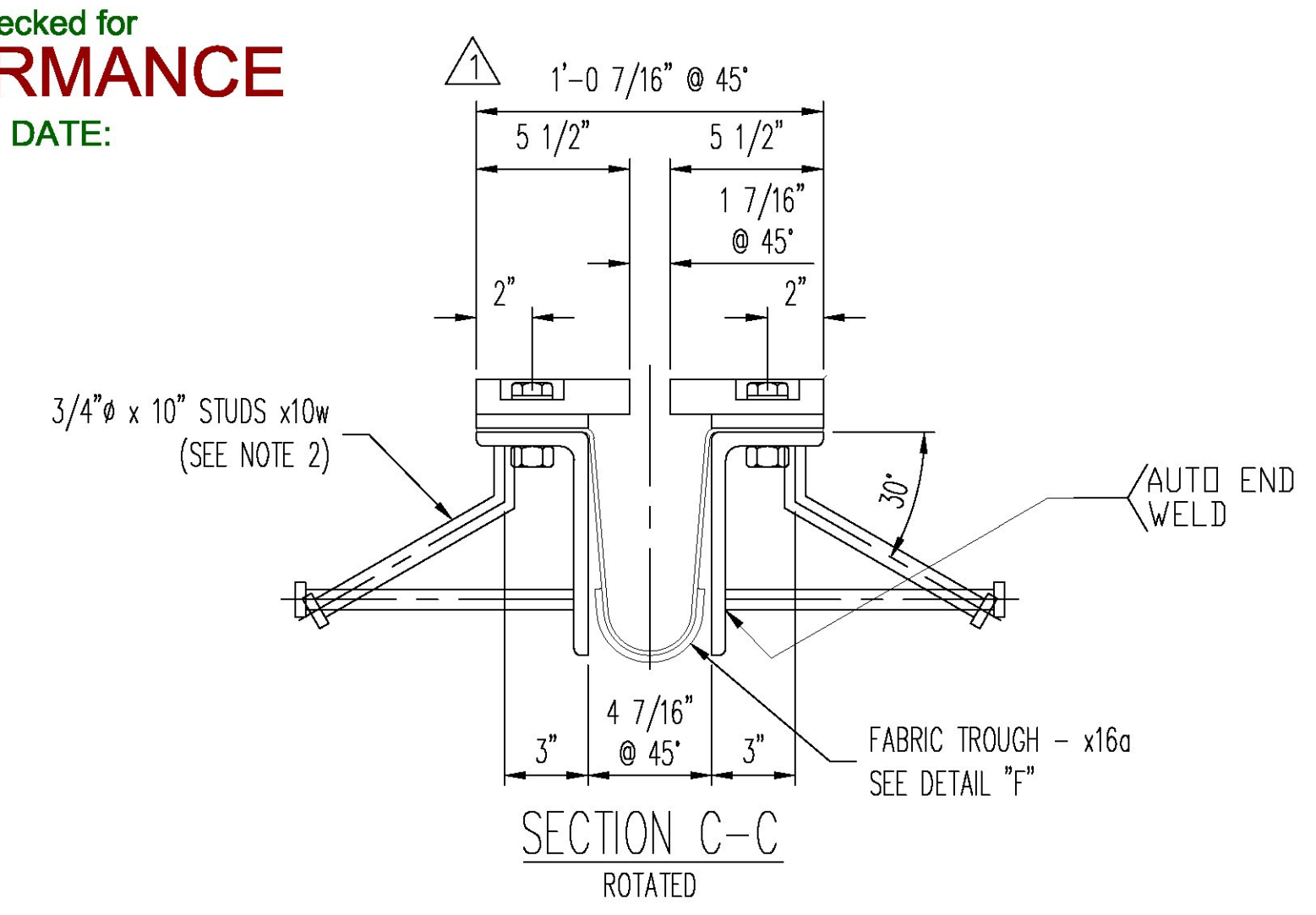
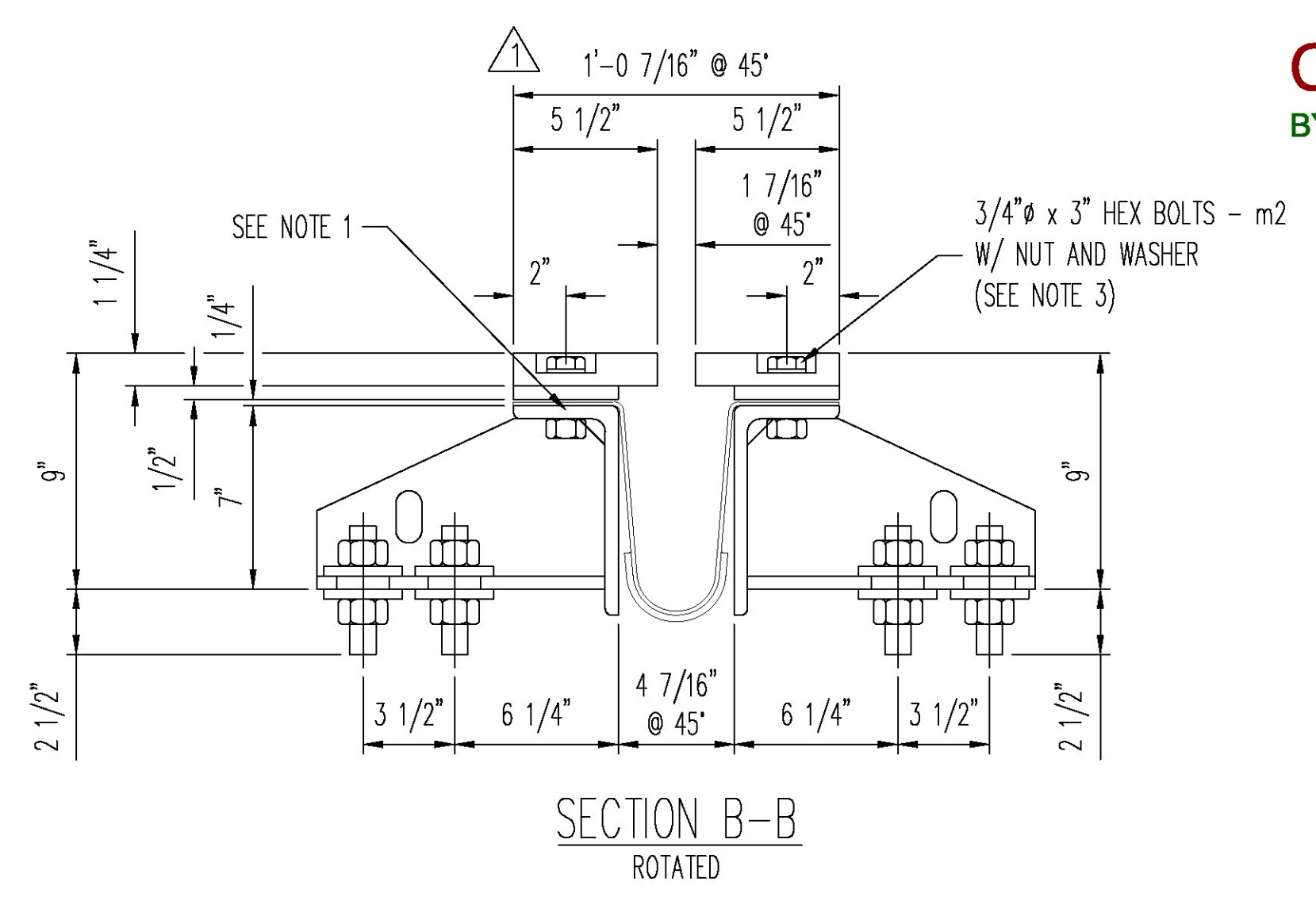


1 ~ EXPANSION JOINT ASSEMBLY ~ 101JA1

Vermont Agency of Transportation
RECEIVED
 ON: April 12, 2016
 and Checked for
CONFORMANCE
 BY: ABC DATE:



NOTE:
 1.) 1/16" x 3" BUTYL RUBBER TAPE MK m1 PER AASHTO M198 CENTERED ON EACH LINE OF BOLTS AND PLACED BETWEEN ANGLE AND FABRIC.
 2.) STUDS WELDED AT 2'-0" O.C. BENT AS SHOWN ALTERNATE STRAIGHT STUDS AT 2'-0" O.C.
 3.) WELD NUTS UNDERNEATH ON (3) SIDES COAT BOLT & NUT THREADS WITH NICKEL BASED NEVER SEIZE LUBE.

BILL OF MATERIAL

| BLOCK QTY. | BLOCK NO. | MARK | NO. PCS | SHAPE | LENGTH FT | IN | REMARKS |
|------------|-----------|--------|---------|--------------------|-----------|--------|--------------------|
| | 1 | 101JA1 | ONE | PLATE JOINT | 30 | 6 | GALV |
| | 2 | x10a | 1 | PL 1 1/4 X 5 1/2 | 15 | 3 | GALV |
| | 3 | x10b | 1 | PL 1 1/4 X 5 1/2 | 15 | 3 | GALV |
| | 4 | x10c | 1 | PL 1 1/4 X 5 1/2 | 15 | 3 | GALV |
| | 5 | x10d | 1 | PL 1 1/4 X 5 1/2 | 15 | 3 | GALV |
| | 6 | x11a | 1 | L8 X 4 X 1/2 | 30 | 6 | GALV |
| | 7 | x11b | 1 | L8 X 4 X 1/2 | 30 | 6 | GALV |
| | 8 | x11c | 8 | L4 X 4 X 1/4 | 1 | 2 7/16 | GALV |
| | 9 | x12a | 2 | PL 1/2 X 4 | 15 | 3 | GALV |
| | 10 | x12b | 2 | PL 1/2 X 4 | 15 | 3 | GALV |
| | 11 | x13a | 96 | PL 3/8 X 3 | 0 | 3 | GALV |
| | 12 | x14a | 12 | PL 1/2 X 8 | 0 | 11 | GALV |
| | 13 | x14b | 12 | PL 1/2 X 6 | 0 | 11 | GALV |
| | 14 | x15a | 2 | PL 1 X 1 | 0 | 5 1/2 | GALV |
| | 15 | x16a | 1 | NP 3/2 X 26 | 30 | 6 | FABRIC TROUGH |
| | 16 | x10w | 62 | 3/4 DIA STUD | 0 | 10 | HEADED STUD |
| | 17 | m1 | 2 | 1/8 X 3 TAPE | 30 | 6 | AASHTO M198 |
| | 18 | m2 | 60 | 3/4 DIA GALV BOLTS | 0 | 3 | W/ NUT & WASHER |
| | 19 | m3 | 16 | 3/4 DIA GALV BOLTS | 0 | 3 1/2 | W/ NUT & WASHER |
| | 20 | m4 | 1 | 3/4 DIA GALV BOLTS | 0 | 1 | W/ NUT & 2-WASHERS |
| | 21 | 1m1 | 20 | 1\"/> | | | |

| | | | | | | |
|---|--|-------------------------|----------------------|-------|-------------|----------|
| 1 | 4/07/16 | REVISION PER APPROVAL | SLB | JEB | | |
| REV. | DATE | REMARKS | DWN | CHK | APVL | SHOP |
| MATERIAL: | | SURFACE PREP. & PAINT: | HOLES: | | SHOP BOLTS: | |
| M270M-250 U.N.O. | | GALV. - PER STD. 726.08 | AS NOTED | | AS NOTED | |
| DESCRIPTION: EXPANSION JOINT - ERECTION SHEET | | | | | | |
| CASCO BAY STEEL STRUCTURES, INC. | | | | | | |
| 1 WALLACE AVE. | | | PHONE (207) 780-6722 | | | |
| SOUTH PORTLAND, ME 04106 | | | FAX. (207) 780-6726 | | | |
| STRUCTURE: | BRIDGE NO. 17 TH 10 (RIPLEY ROAD) OVER OTTER CREEK | | | | DRAWN: | DATE: |
| | STATE OF VERMONT AGENCY OF TRANS. | | | | SLB | 03/23/16 |
| | | | | CHKD: | JEB | DATE: |
| | | | | | | 03/23/16 |
| LOCATION: | RUTLAND CITY, VT | | | | JOB NO. | DWG NO. |
| PROJ NO. | BRF 3000(19) | | | | 598 | 101 |
| CUSTOMER: | KUBRICKY CONSTRUCTION CORP. | | | | REV. | 1 |