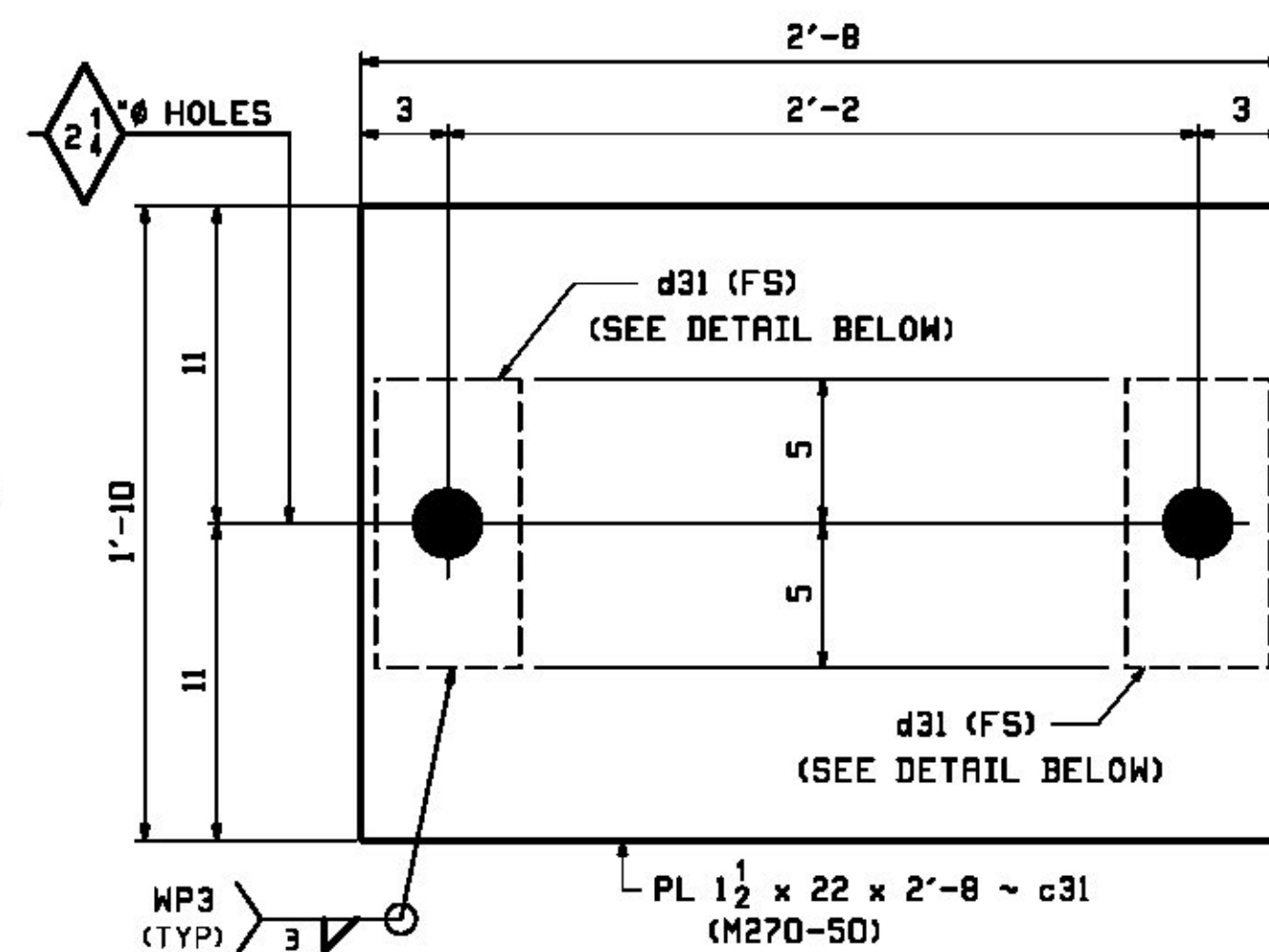
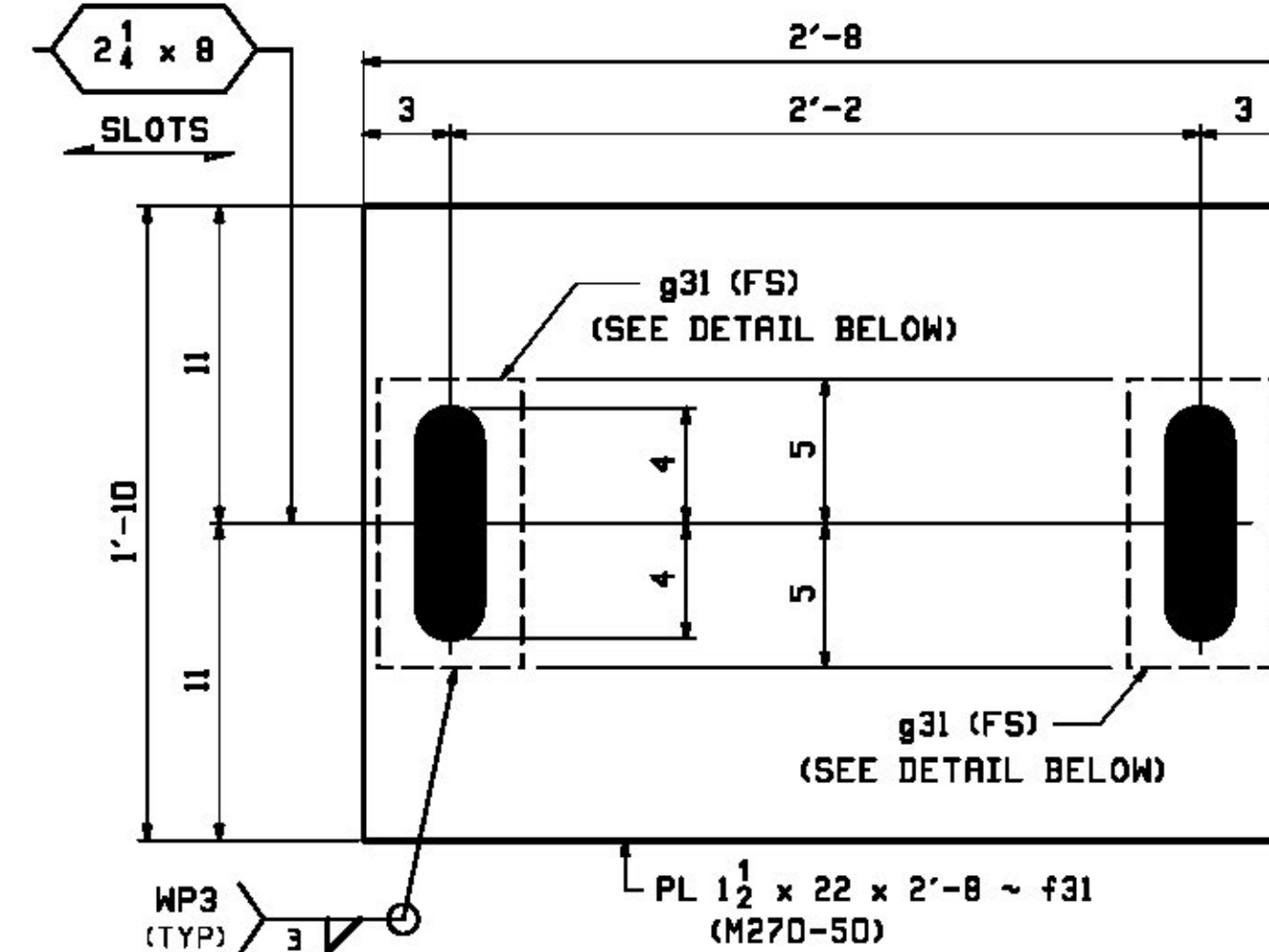


16 ~ ANCHOR BOLTS ~ 31AB1
 (8 FIXED & EXPANSION BEARING)

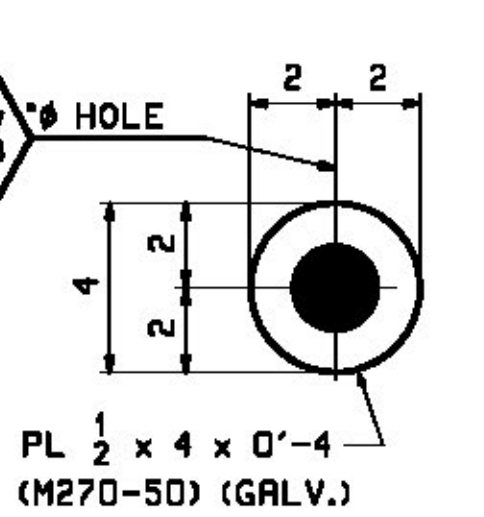
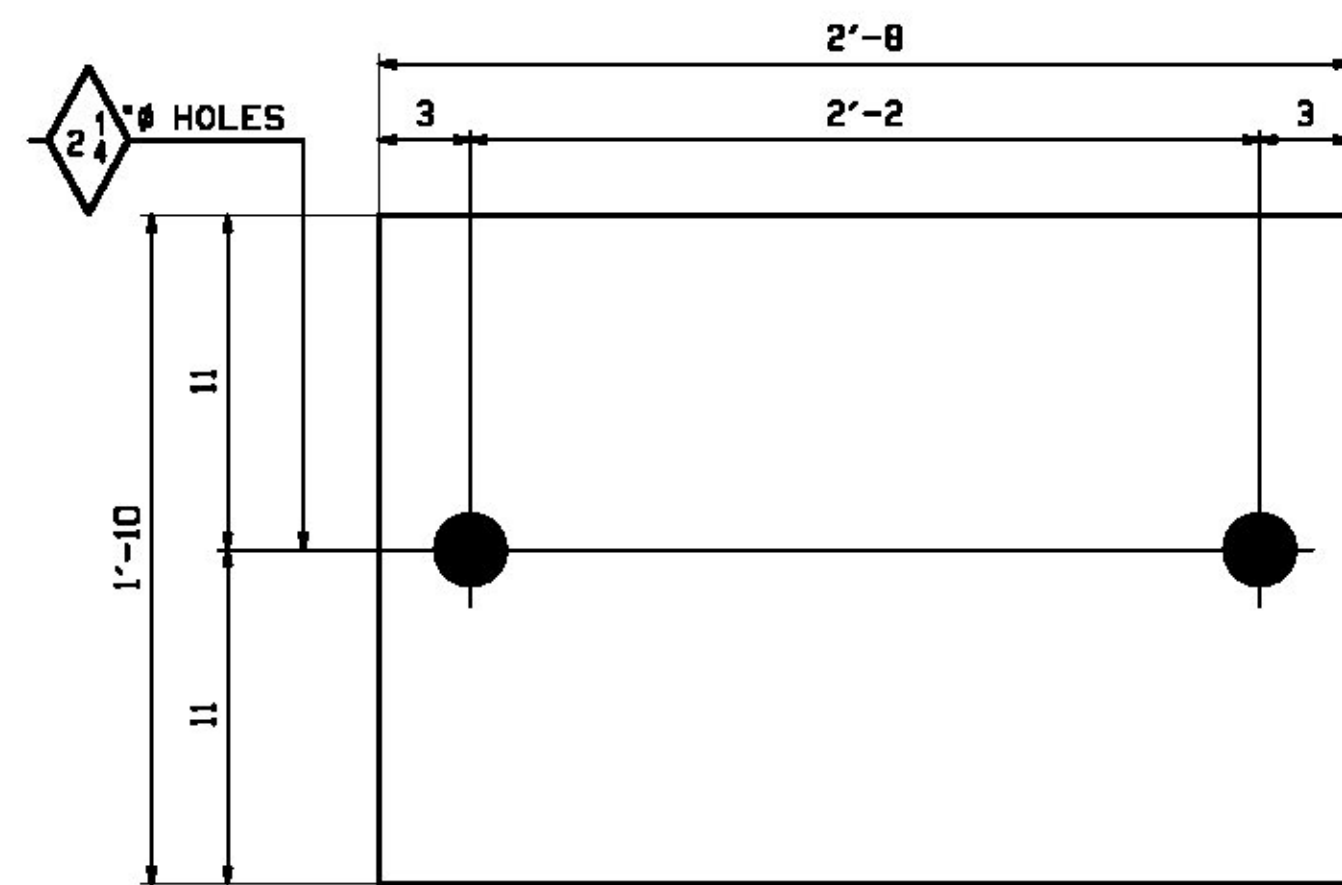
SEE NOTE "GA"



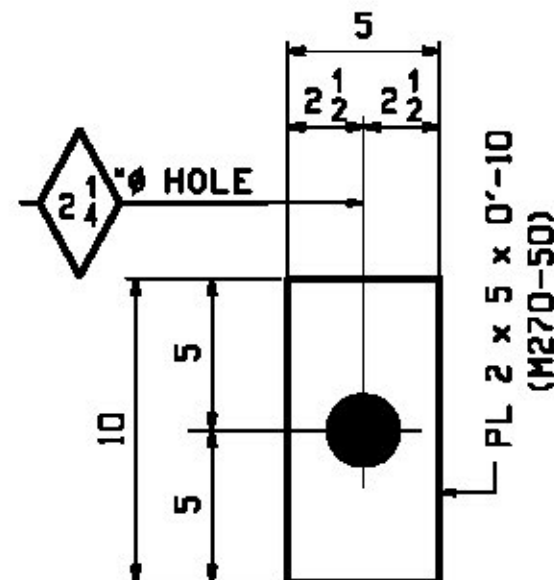
4 ~ SOLE PLATES ~ 31SP1
 (8 FIXED BEARING)



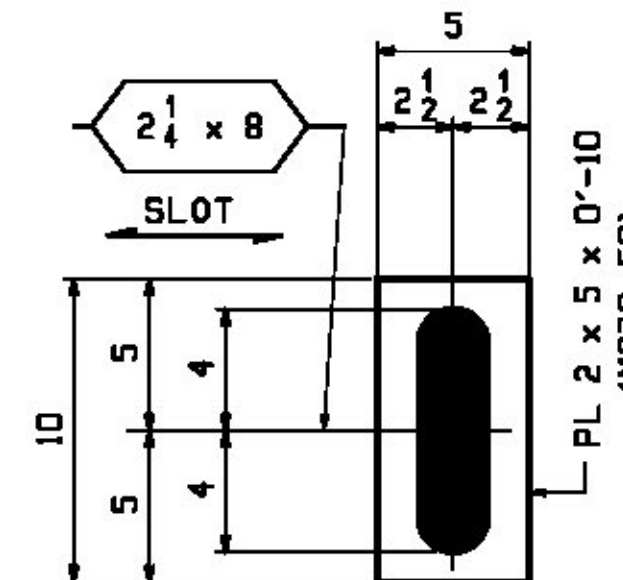
4 ~ SOLE PLATES ~ 31SP2
 (8 EXPANSION BEARING)



16 ~ PLATES ~ b31
 (8 PLATE WASHER)



8 ~ PLATES ~ d31
 (8 SHEAR BLOCK & FIXED BEARING)

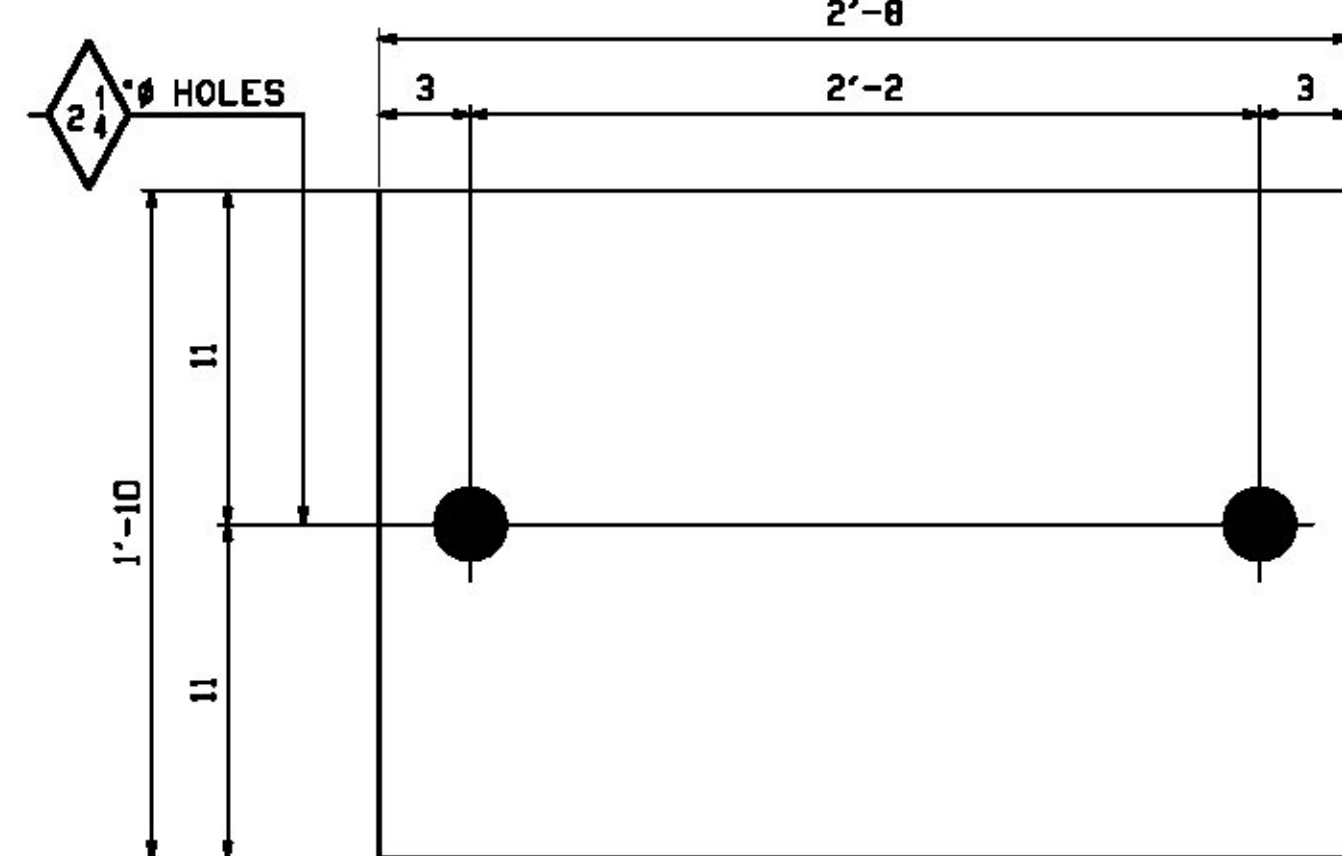


8 ~ PLATES ~ g31
 (8 SHEAR BLOCK & FIXED BEARING)

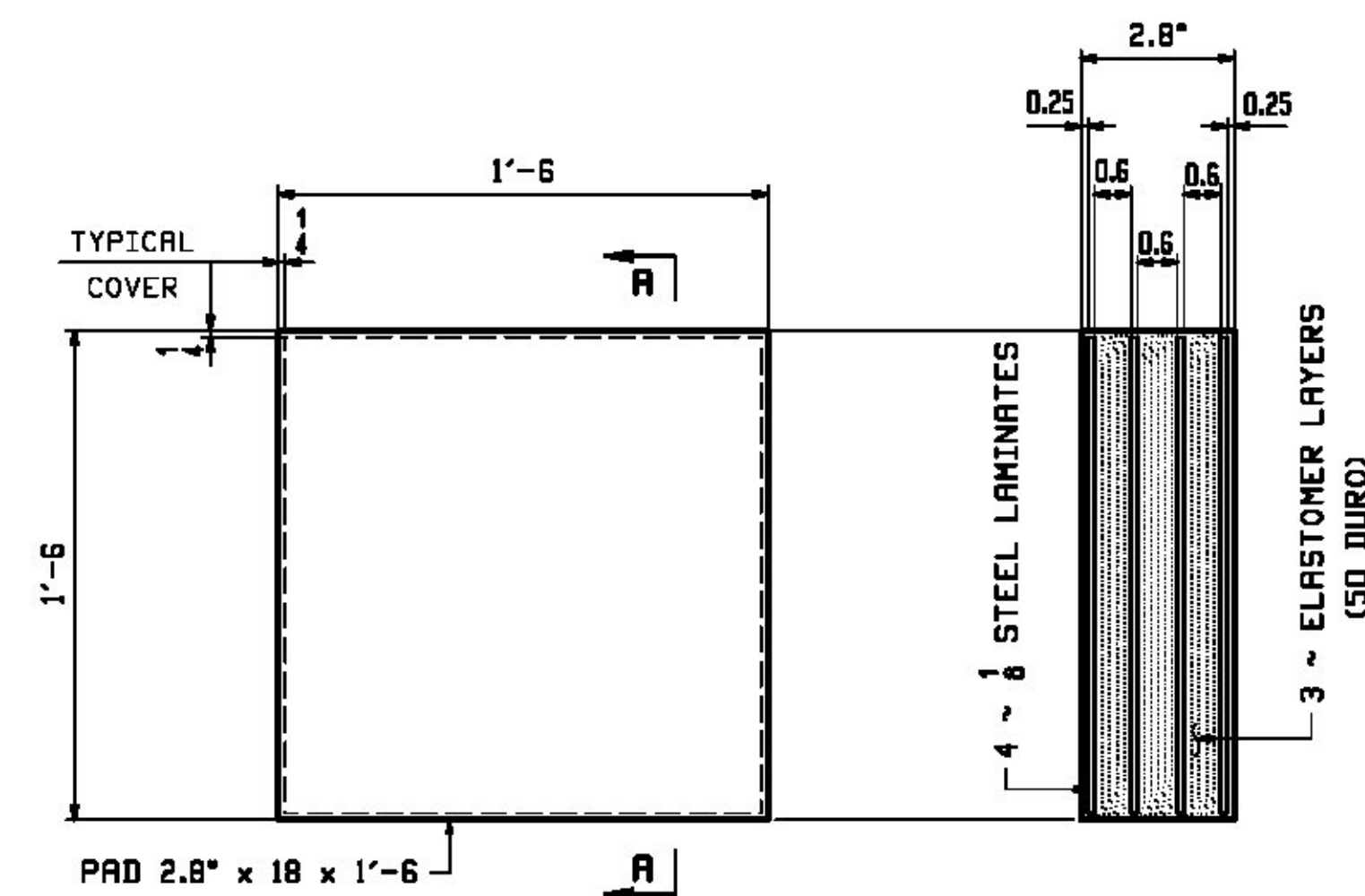


8 ~ MASONRY PLATES ~ 31MP1
 (8 FIXED & EXPANSION BEARING)

SEE NOTE "GC"



8 ~ PADS ~ 31EP1
 (8 FIXED & EXPANSION BEARING)



8 ~ BEARING PADS ~ 31BP1
 (8 FIXED & EXPANSION BEARING)

NOTE "GA"
 GALVANIZE ANCHOR BOLTS, HEAVY HEX NUTS & STANDARD BEVELED WASHERS IN ACCORDANCE WITH ASTM A153.
 GALVANIZE PLATE WASHERS IN ACCORDANCE WITH ASTM A123.

NOTE "GB"
 GALVANIZE SOLE PLATE ASSEMBLY AFTER WELDING SHEAR BLOCK IN ACCORDANCE WITH ASTM A123.

NOTE "GC"
 GALVANIZE MASONRY PLATES IN ACCORDANCE WITH ASTM A123.

BILL OF MATERIAL				JOB NO.	DRAWING NO.	REV.			
				598	31				
PAGE	LINE	MARK	QTY	MARK	MATERIAL	LENGTH FT INCHES	REMARKS	MT	PROCUREMENT NOTES
		31AB1	16		ANCHOR BOLTS		SEE NOTE "GA"	21	
7	F		16	a31	1/2" ROD	2 7	F1554-GRADE 36 (GALV)	16	
7	G		16	b31	PL 1/2 x 4	0 4		2	
7	H		32		1/2" HW		A563 (GR-A)	1	
7	J		16		BEVEL WASHER FOR 1/2" HW		F436	0.26	
		31SP1	4		SOLE PLATES		SEE NOTE "GB"	328	
7	B		4	c31	PL 1/2 x 22	2 8		259	
7	C		4	d31	PL 2 x 5	0 10		28	
		31SP2	4		SOLE PLATES		SEE NOTE "GB"	328	
7	B		4	f31	PL 1/2 x 22	2 8		259	
7	C		4	g31	PL 2 x 5	0 10		28	
					MASONRY PLATES				
7	D	31MP1	8		PL 1x22	2 8	GALV.	200	
					PADS				
7	L	31EP1	8		PAD 1/8 x 22	2 8	NEOPRENE		
					BEARING PADS				
7	N		8	31BP1	PAD 2.8"x18"	1 6	50 DURO		

NOTES:
 1. FOR GENERAL NOTES SEE DNG. G01.

REV.	DATE	REMARKS	DWN	CHK	APVL	SHOP
0						
MATERIAL:		SURFACE PREP. & PAINT:	HOLES:		SHOP BOLTS:	
AS NOTED		SEE DNG. G01	AS NOTED		NONE	
DESCRIPTION:			BEARING DETAILS			
		CASCO BAY STEEL STRUCTURES, INC. 1 WALLACE AVE. SOUTH PORTLAND, ME 04106		PHONE (207) 780-6722 FAX (207) 780-6726		
STRUCTURE: TH-10 OVER OTTER CREEK PONY TRUSS BRIDGE			DRAWN: RB	DATE: 3/29/16		
			CHKD: WJL	DATE: 3/29/16		
LOCATION: RUTLAND CITY, VERMONT			JOB NO.	DNG NO.		
PROJ NO. BR 3000 (19)			598	31		
CUSTOMER: KUBRICKY CONSTRUCTION CORP.				REV.		