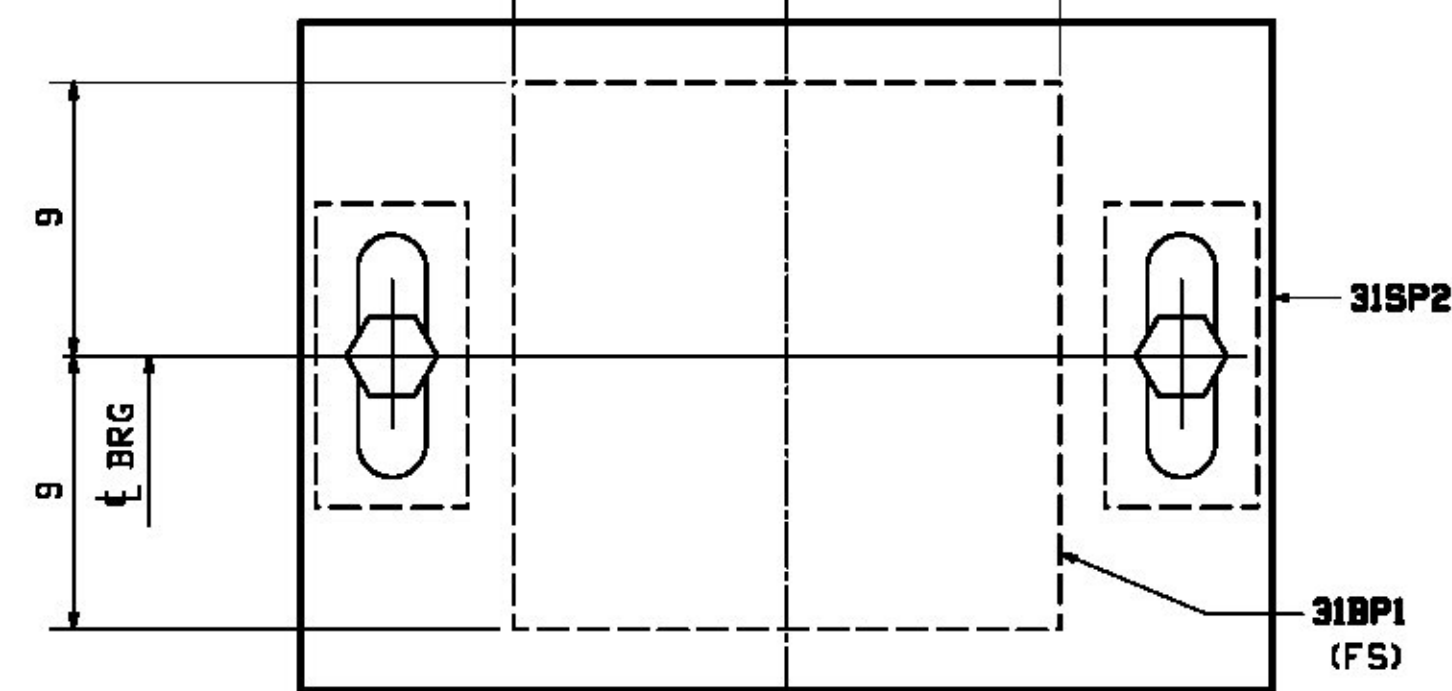
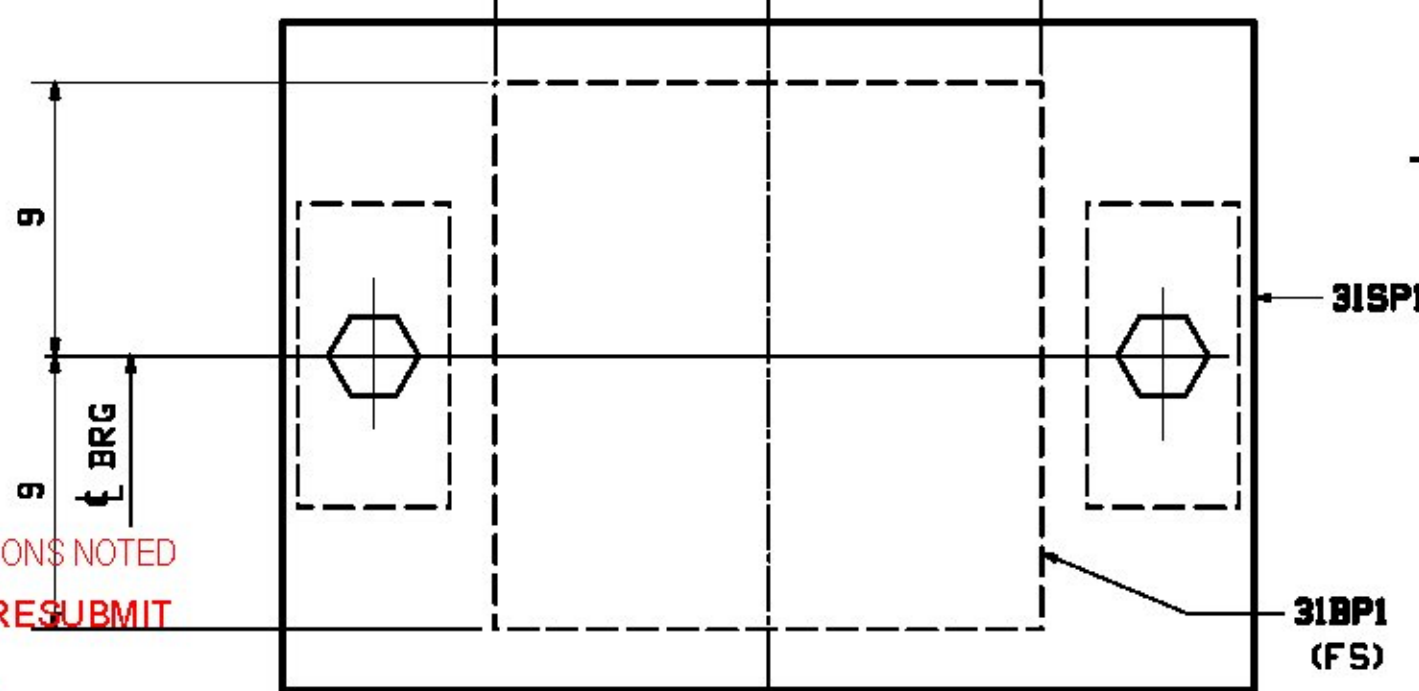


ANCHOR BOLT FRAMING PLAN



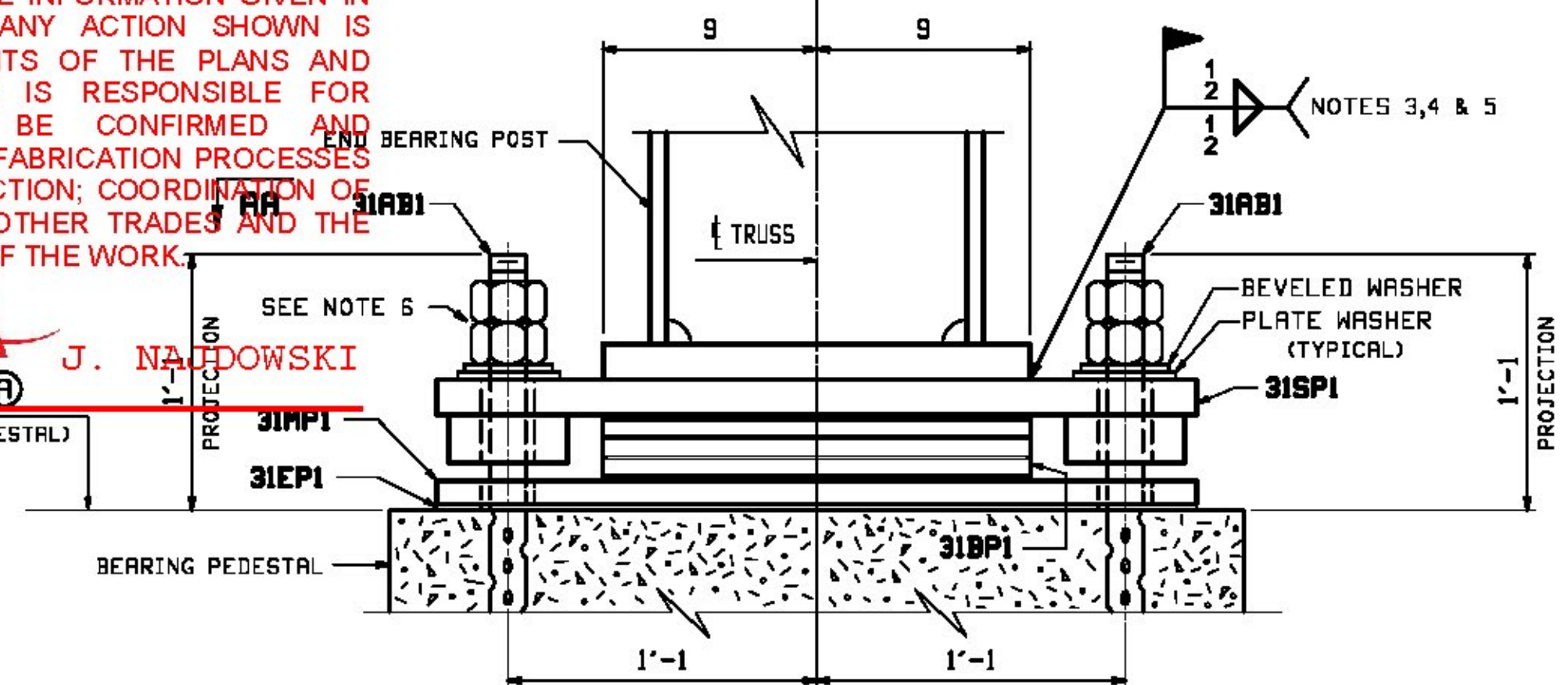
- NOTES:**
1. ALL DIMENSIONS ARE GIVEN HORIZONTALLY IN THE FINAL POSITION OF BRIDGE.
 2. FOR GENERAL NOTES SEE DWG. GNI.
 3. DURING WELDING, SURFACES IN CONTACT WITH THE ELASTOMER SHALL BE RESTRICTED TO 200 DEGREES FAHRENHEIT AND SURFACES IN CONTACT WITH PTFE SHALL BE RESTRICTED TO 300 DEGREES FAHRENHEIT.
 4. THE WELDS FOR THE SOLE PLATE CONNECTION SHOULD ONLY BE ALONG THE LONGITUDINAL TRUSS AXIS. TRANSVERSE JOINTS SHOULD BE SEALED WITH AN ACCEPTABLE CAULKING MATERIAL.
 5. GALVANIZING THAT HAS BEEN DAMAGED SHALL BE REPAIRED IN ACCORDANCE WITH ASTM A780 STANDARD PRACTICE FOR REPAIR OF DAMAGED HOT DIP GALVANIZED COATINGS, ANNEX A2.
 6. ANCHOR BOLTS WITH TWO NUTS SHALL USE THE FOLLOWING PROCEDURE: INSTALL THE LOWER NUT IN CONTACT WITH TOP OF SOLE PLATE AND THEN BACK OFF 1/2 TURN. INSTALL UPPER NUT SNUG TIGHT TO PREVENT LOWER NUT FROM LOOSENING.

- NO EXCEPTION TAKEN
- MAKE CORRECTIONS NOTED
- REJECTED
- REVISE AND RESUBMIT
- SUBMIT SPECIFIED ITEM

CHECKING IS ONLY FOR THE GENERAL CONFORMANCE WITH THE DESIGN CONCEPT OF THE PROJECT AND GENERAL COMPLIANCE WITH THE INFORMATION GIVEN IN THE CONTRACT DOCUMENTS. ANY ACTION SHOWN IS SUBJECT TO THE REQUIREMENTS OF THE PLANS AND SPECIFICATIONS. CONTRACTOR IS RESPONSIBLE FOR DIMENSIONS WHICH SHALL BE CONFIRMED AND CORRELATED AT THE JOB SITE; FABRICATION PROCESSES AND TECHNIQUES OF CONSTRUCTION; COORDINATION OF HIS WORK WITH THAT OF ALL OTHER TRADES AND THE SATISFACTORY PERFORMANCE OF THE WORK.

DATE 04-18-2016
 ELEV. (A) J. NAUDOWSKI
 (TOP OF PEDESTAL)

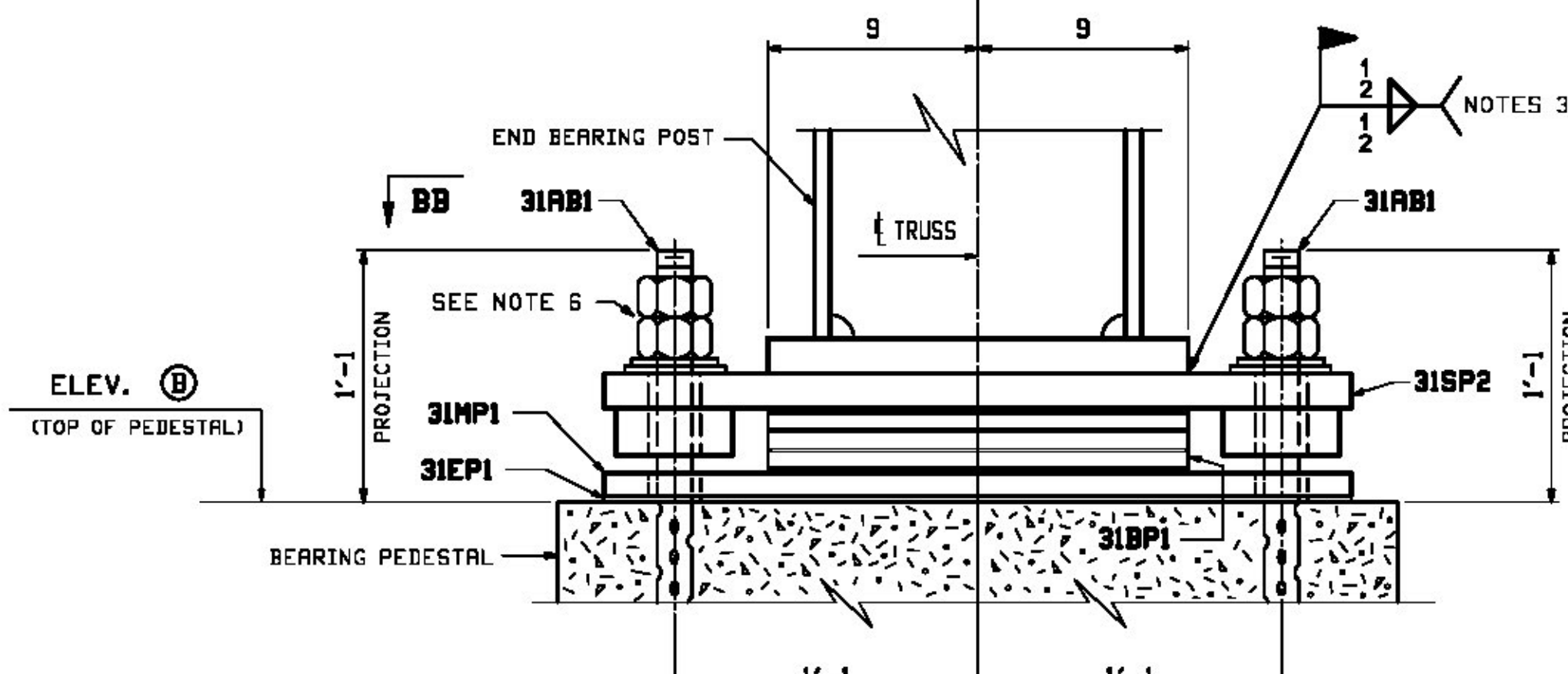
SECTION -AA
(BEARING POST NOT SHOWN FOR CLARITY)



SECTIONS @ ABUTMENTS
(FIXED BEARING)

SECTION	ELEVATION (A)
(e ABUT. 1) A	522.95
(e ABUT. 1) B	523.59
(e ABUT. 2) E	521.65
(e ABUT. 2) F	522.29

SECTION -BB
(BEARING POST NOT SHOWN FOR CLARITY)



SECTIONS @ PIER
(EXPANSION BEARING)

SECTION	ELEVATION (B)
C	524.20
D	524.84

REV. DATE	REMARKS	DWN	CHK	APVL	SHOP
4/12/16	REVISED ELEVATIONS	RB	WJL		
MATERIAL:		SURFACE PREP. & PAINT:		HOLES:	
SHOP BOLTS:					
DESCRIPTION: ANCHOR BOLT FRAMING PLAN & BEARING DETAILS					
CASCO BAY STEEL STRUCTURES, INC. 1 WALLACE AVE. SOUTH PORTLAND, ME 04106 PHONE (207) 780-6722 FAX. (207) 780-6726			TENSAR STRUCTURES		
STRUCTURE: TH-10 OVER OTTER CREEK PONY TRUSS BRIDGE			DRAWN: RB DATE: 3/29/16		CHKD: WJL DATE: 3/29/16
LOCATION: RUTLAND CITY, VERMONT			JOB NO.: 598		DWG NO.: E7
PROJ NO.: BRF 3000 (19)			CUSTOMER: KUBRICKY CONSTRUCTION CORP.		REV.: A

1/11/16 10:15 AM 2016 04/18/16 10:15 AM 2016 04/18/16 10:15 AM 2016