

BRACKETS
(SIDEWALK SUPPORT)

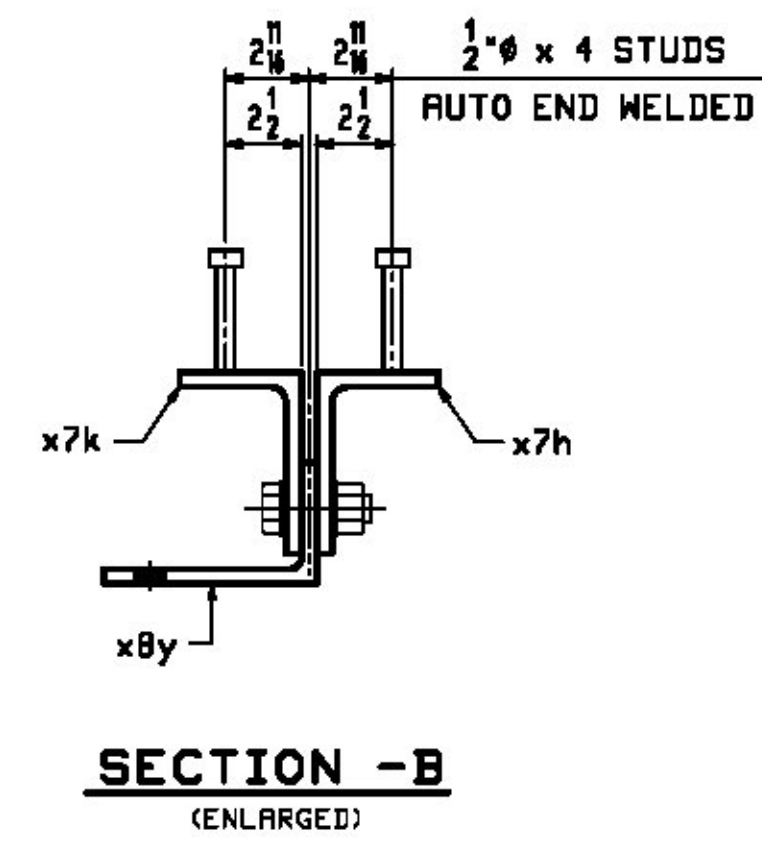
END VIEW - A

MARK	REQ'D	A	B	C	D	E	1	2	3	
(e L1, L3, L5, L7, L10, L18)	26BK1	6	15/16	7 3/4	10 3/4	6'-1 3/4	3'-7 3/16	x7t	x8d	x8c
(e L12, L16)	26BK2	2	1"	7 13/16	10 13/16	6'-1 11/16	3'-7 1/8	x7v	x8g	x8f
(e L14)	26BK3	1	1 1/16	8	11	6'-1 1/2	3'-7 1/16	x7w	x8k	x8h

JOB NO.		DRAWING NO.		REV.			
598		26		26			
ITEM	MARK	QTY	MARK	MATERIAL	REMARKS	MT	PROCUREMENT NOTES
BRACKETS							
4	N	1	x7h	L 6x4x 1/2	SEE NOTE 'G'	103	
4	N	1	x7k	L 6x4x 1/2		103	
4	Q	1	x7p	WT 7x30.5		17	
4	R	1	x7w	WT 7x30.5	CUT AS REQ'D	18	
4	P	1	x8h	L 4x4x 3/8		56	
4	P	1	x8k	L 4x4x 3/8		56	
4	T	1	x8w	PL 3/8x6		12	
4	U	1	x8y	L 7x4x 3/8		20	
5	C	6		STUD 1/2"	RIGID	0.28	
SHOP BOLTS							
11	F	4		1/2" HSB	(MECH. GALV.) R325-1	0.80	
11	G	8		3/8" HSB	(MECH. GALV.) R325-1	0.80	
11	Y	12		3/8" HSN	(MECH. GALV.) F438	0.07	
11	Z	12		LOAD IND. 7/8" HSN FOR 8" HSB	(MECH. GALV.) F598	0.07	

JOB NO.		DRAWING NO.		REV.			
598		26		26			
ITEM	MARK	QTY	MARK	MATERIAL	REMARKS	MT	PROCUREMENT NOTES
BRACKETS							
4	N	2	x7h	L 6x4x 1/2	SEE NOTE 'G'	103	
4	N	2	x7k	L 6x4x 1/2		103	
4	Q	2	x7p	WT 7x30.5		17	
4	R	2	x7v	WT 7x30.5	CUT AS REQ'D	18	
4	P	2	x8f	L 4x4x 3/8		57	
4	P	2	x8g	L 4x4x 3/8		57	
4	T	2	x8w	PL 3/8x6		12	
4	U	2	x8y	L 7x4x 3/8		20	
6	C	12		STUD 1/2"	RIGID	0.28	
SHOP BOLTS							
11	F	8		1/2" HSB	(MECH. GALV.) R325-1	0.80	
11	G	16		3/8" HSB	(MECH. GALV.) R325-1	0.80	
11	Y	24		3/8" HSN	(MECH. GALV.) F438	0.07	
11	Z	24		LOAD IND. 7/8" HSN FOR 8" HSB	(MECH. GALV.) F598	0.07	

Vermont Agency of Transportation
RECEIVED
 ON: March 21, 2016
 and Checked for
CONFORMANCE
 BY: ABC DATE:



- NO EXCEPTION TAKEN
- MAKE CORRECTIONS NOTED
- REJECTED
- REVISE AND RESUBMIT
- SUBMIT SPECIFIED ITEM

CHECKING IS ONLY FOR THE GENERAL CONFORMANCE WITH THE DESIGN CONCEPT OF THE PROJECT AND GENERAL COMPLIANCE WITH THE INFORMATION GIVEN IN THE CONTRACT DOCUMENTS. ANY ACTION SHOWN IS SUBJECT TO THE REQUIREMENTS OF THE PLANS AND SPECIFICATIONS. CONTRACTOR IS RESPONSIBLE FOR DIMENSIONS WHICH SHALL BE CONFIRMED AND CORRELATED AT THE JOB SITE; FABRICATION PROCESSES AND TECHNIQUES OF CONSTRUCTION; COORDINATION OF HIS WORK WITH THAT OF ALL OTHER TRADES AND THE SATISFACTORY PERFORMANCE OF THE WORK.

DATE 1/29/2016 BY J. Najdowski



SHOP NOTE 'G'

ALL STEEL (EXCEPT FOR BOLTS) SHALL BE HOT DIP GALVANIZED IN ACCORDANCE WITH SUBSECTION 506.15. BOLTS AND WASHERS SHALL BE MECHANICALLY GALVANIZED IN ACCORDANCE WITH ASTM B695, CLASS 55.

- NOTES:
- FOR GENERAL NOTES SEE DWG. G1.
 - FOR STANDARD DETAILS SEE DWG. X7 & X8.
 - SHOP BOLTS SHALL BE 1/2" A325-1. ALL BOLTS SHALL BE WITH ONE HARDENED WASHER AND ONE DTI WASHER. BOLTS AND WASHERS SHALL BE MECHANICALLY GALVANIZED.

REV.	DATE	REMARKS	DWN	CHK	APVL	SHOP
0						
MATERIAL:		SURFACE PREP. & PAINT:	HOLES:	SHOP BOLTS:		
M270-50 (UN)		SEE DWG. G1	15/16"	AS NOTED		
DESCRIPTION: BRACKET DETAILS						
STRUCTURE:		TH-10 OVER OTTER CREEK PONY TRUSS BRIDGE		DRAWN:	DATE:	
				RB	1/4/16	
				CHKD:	DATE:	
				WJL	1/18/16	
LOCATION:		RUTLAND CITY, VERMONT		JOB NO.	DWG NO.	
PROJ NO.		BRF 3000 (19)		598	26	
CUSTOMER:		KUBRICKY CONSTRUCTION CORP.		REV.		

CASCO BAY STEEL STRUCTURES, INC.
 1 WALLACE AVE. PHONE (207) 780-6722
 SOUTH PORTLAND, ME 04106 FAX. (207) 780-6726