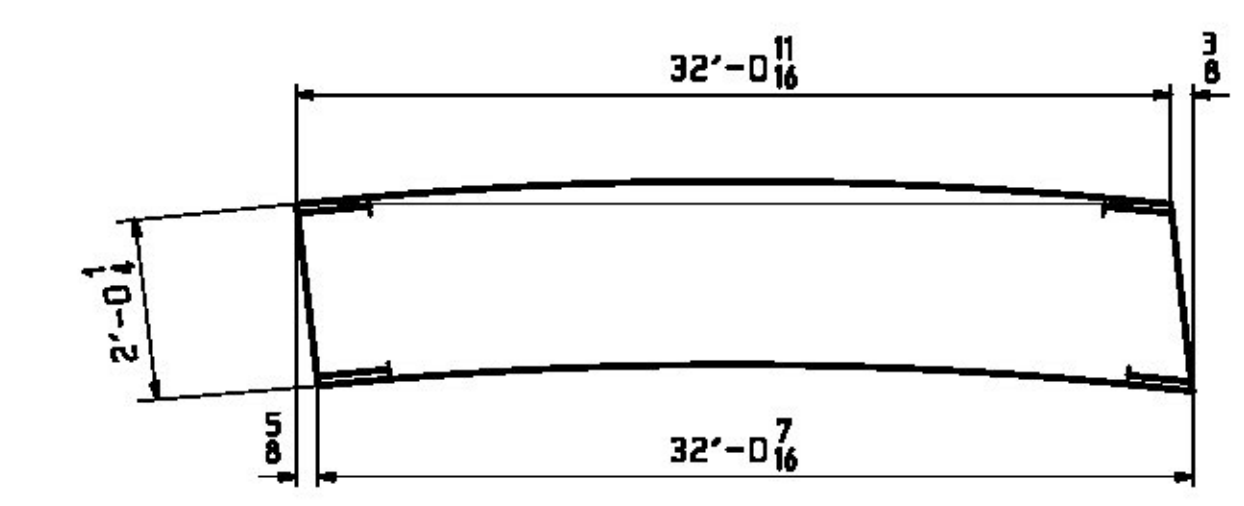
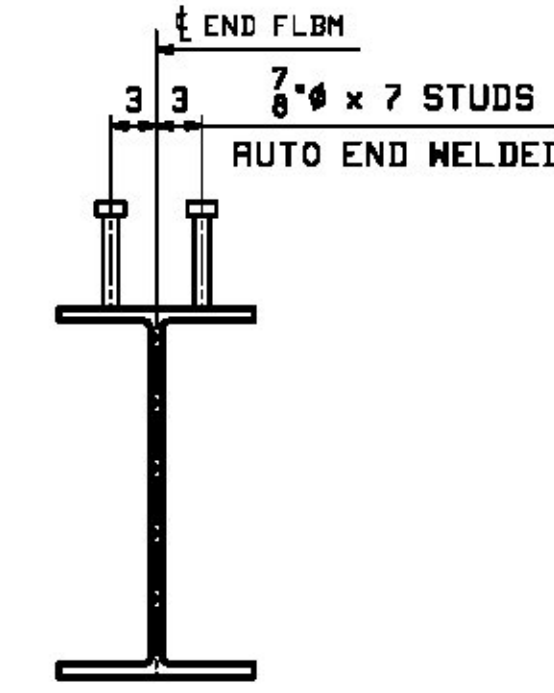
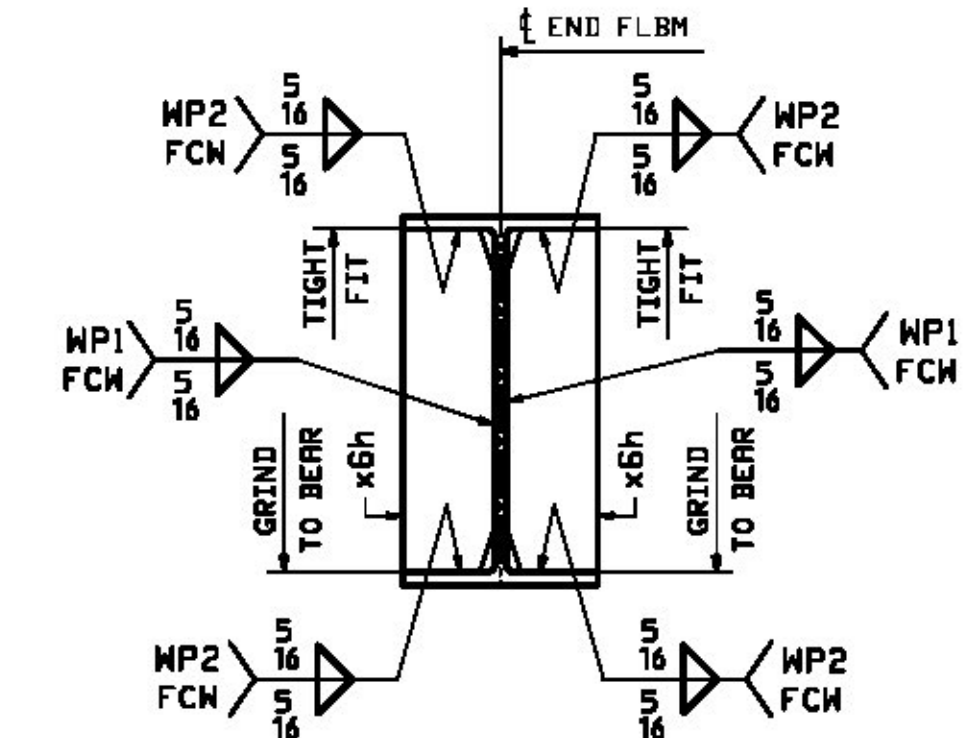
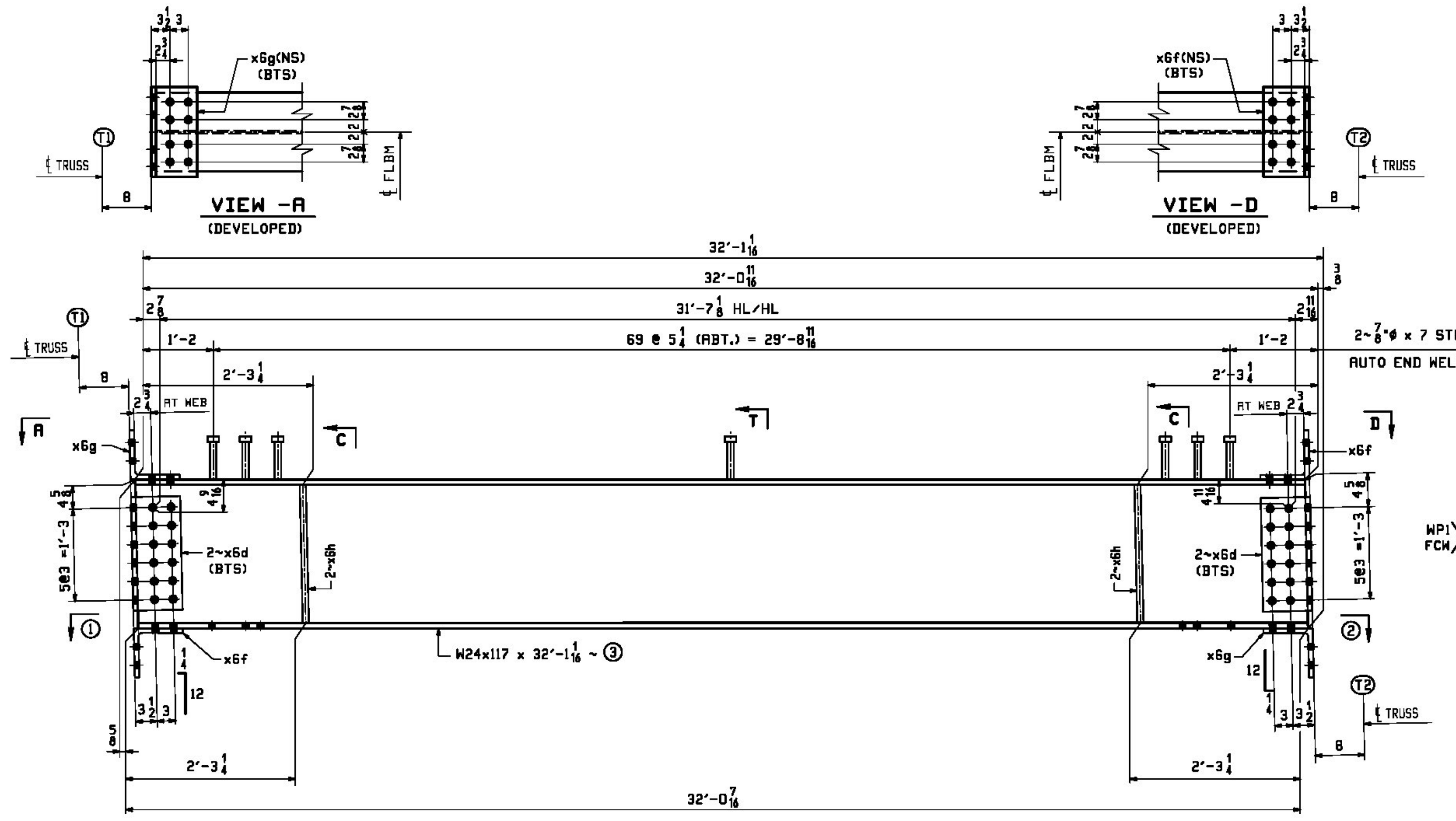


Vermont Agency of Transportation
RECEIVED
 ON: March 21, 2016
 and Checked for
CONFORMANCE
 BY: ABC DATE:

RBM INFO		BILL OF MATERIAL				JOB NO.	DRAWING NO.	REV.
						598	17	
PAGE/LINE	MARK	QTY	MARK	MATERIAL	LENGTH FT INCHES	REMARKS	MT	PROCUREMENT NOTES
	17FB9	1		FLOORBEAM		SEE NOTE "G"		442B
1	Y	1	b17	M 24x117	32' 1 1/8"	M270-S022 (FCM)	3754	
4	E	4	x6d	L 8x7x 3/4	1' 6 1/2"	CUT FROM L8x8x3/4 M270-S022 (FCM)	56	
4	D	2	x6f	L 8x8x 3/4	1' 2 1/2"	BENT M270-S022 (FCM)	47	
4	D	2	x6g	L 8x8x 3/4	1' 2 1/2"	BENT M270-S022 (FCM)	47	
4	F	4	x6h	PL 1/2x6	1' 10 1/2"	GIE M270-S022	19	
6	E	140		STUD 7/8"	0' 7"	A108	1	
	17FB19	1		FLOORBEAM		SEE NOTE "G"		442B
1	Y	1	b17	M 24x117	32' 1 1/8"	M270-S022 (FCM)	3754	
4	E	4	x6d	L 8x7x 3/4	1' 6 1/2"	CUT FROM L8x8x3/4 M270-S022 (FCM)	56	
4	D	2	x6f	L 8x8x 3/4	1' 2 1/2"	BENT M270-S022 (FCM)	47	
4	D	2	x6g	L 8x8x 3/4	1' 2 1/2"	BENT M270-S022 (FCM)	47	
4	F	4	x6h	PL 1/2x6	1' 10 1/2"	GIE M270-S022	19	
6	E	140		STUD 7/8"	0' 7"	A108	1	



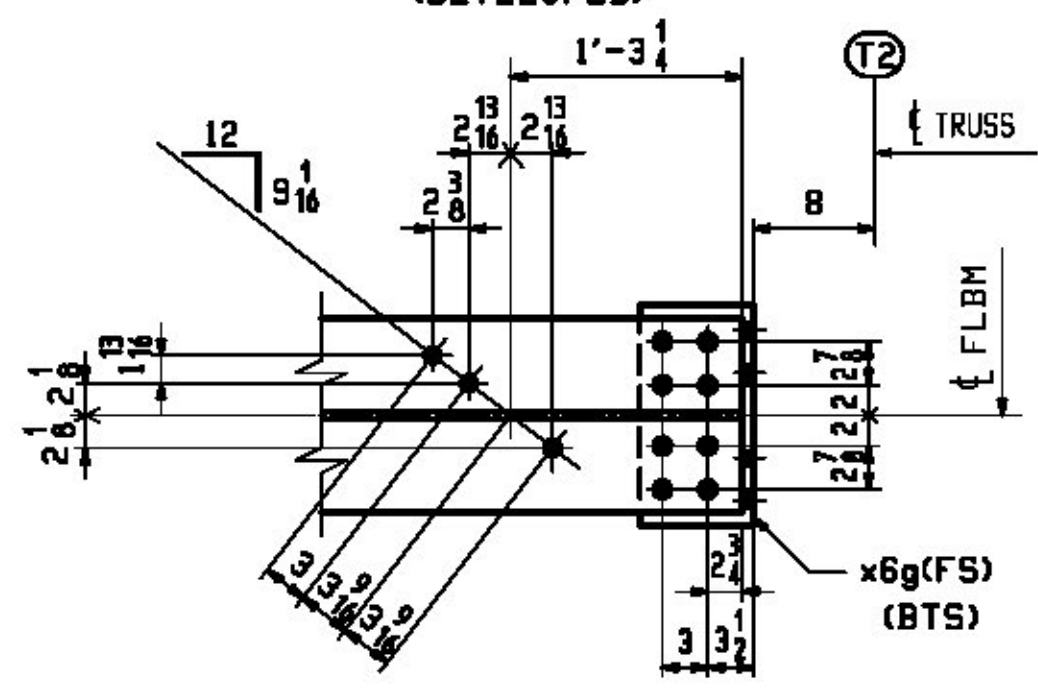
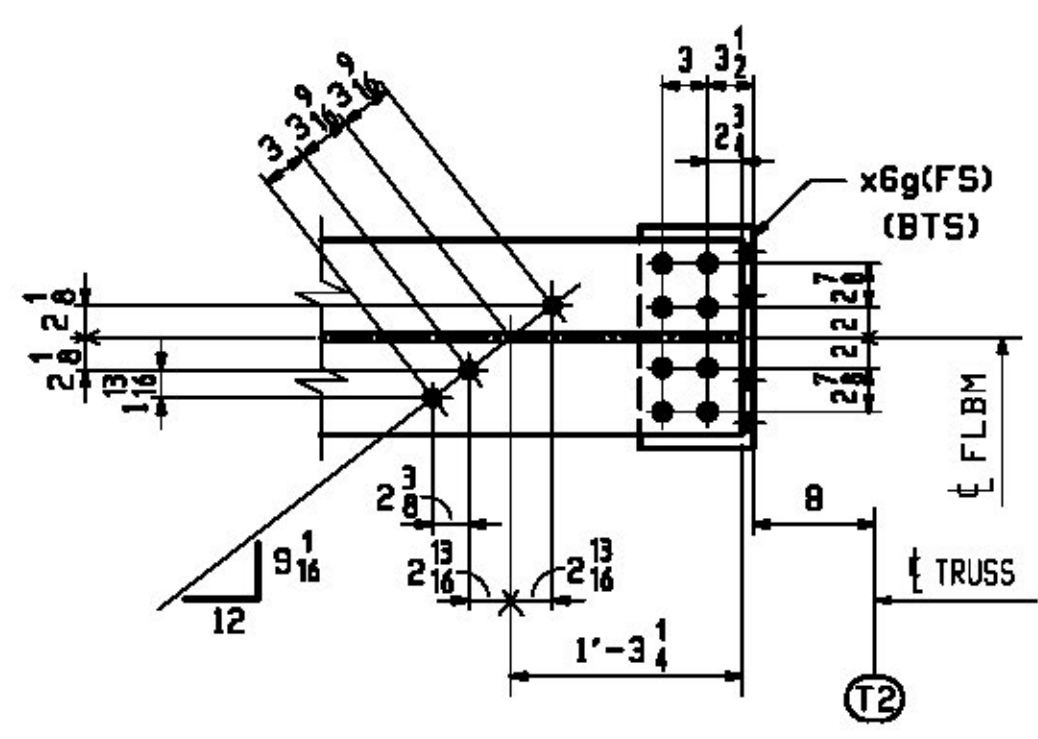
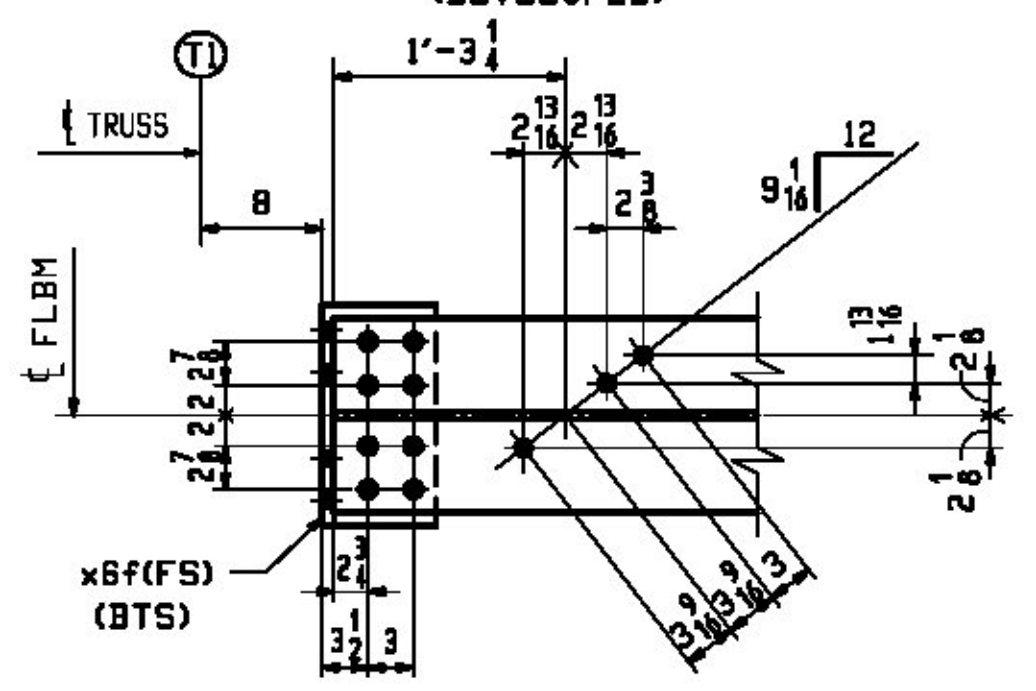
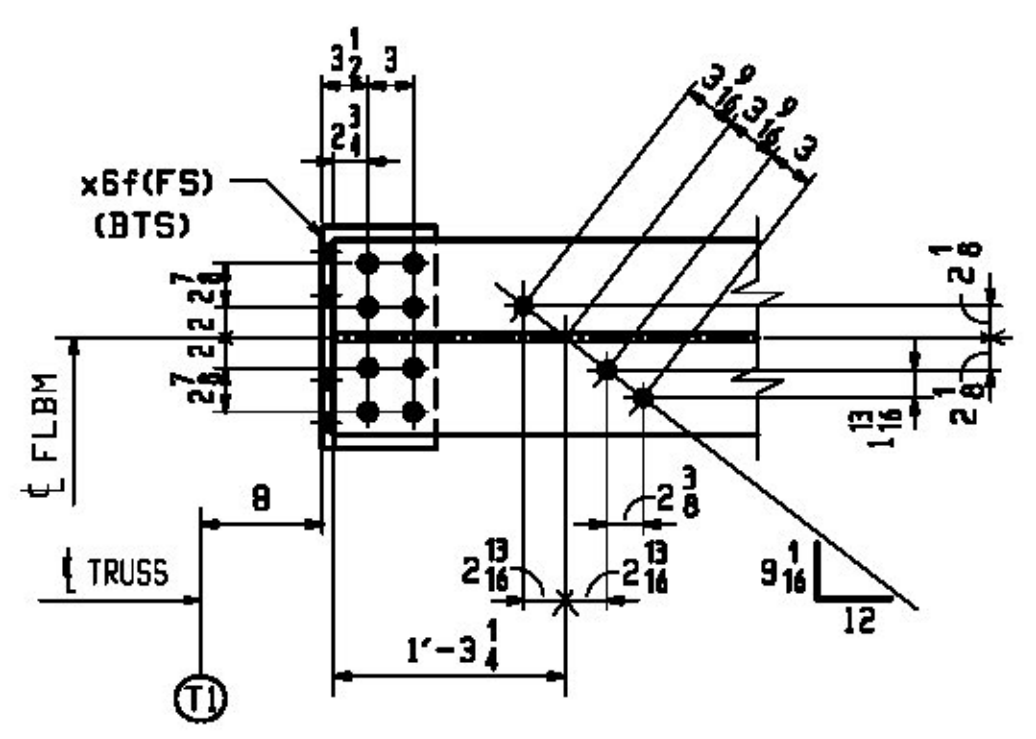
SHOP NOTE "G"
 ALL STEEL SHALL BE HOT DIP GALVANIZED
 IN ACCORDANCE WITH SUBSECTION 506.15.

FLOORBEAM					
(END FLOORBEAM - LOOKING WEST)					
MARK	REQ'D	SECT.- ①	SECT.- ②	③	
(e L9)	17FB9	ONE	B1	E1	a17
(e L19)	17FB19	ONE	B2	E2	b17

- NO EXCEPTION TAKEN
- MAKE CORRECTIONS NOTED
- REJECTED
- REVISE AND RESUBMIT
- SUBMIT SPECIFIED ITEM

CHECKING IS ONLY FOR THE GENERAL CONFORMANCE WITH THE DESIGN CONCEPT OF THE PROJECT AND GENERAL COMPLIANCE WITH THE INFORMATION GIVEN IN THE CONTRACT DOCUMENTS. ANY ACTION SHOWN IS SUBJECT TO THE REQUIREMENTS OF THE PLANS AND SPECIFICATIONS. CONTRACTOR IS RESPONSIBLE FOR DIMENSIONS WHICH SHALL BE CONFIRMED AND CORRELATED AT THE JOB SITE; FABRICATION PROCESSES AND TECHNIQUES OF CONSTRUCTION; COORDINATION OF HIS WORK WITH THAT OF ALL OTHER TRADES AND THE SATISFACTORY PERFORMANCE OF THE WORK.

DATE 1/29/2016 BY J. Najdowski



- NOTES:
- FOR GENERAL NOTES SEE DWG. GNI.
 - FOR STANDARD DETAILS SEE DWG. X6.
 - BTS DENOTES BOLT TO SHIP OR SECURE FOR SHIPMENT.
 - FCM DENOTES FRACTURE CRITICAL WELD.
 - GIE DENOTES GRINDING AT ONE END OF PLATE.

REV.	DATE	REMARKS	DWN	CHK	APVL	SHOP
0						
MATERIAL:		SURFACE PREP. & PAINT:		HOLES:		SHOP BOLTS:
M270-S0 (UN)		SEE DWG. GNI		15 1/8"		NONE
DESCRIPTION: FLOORBEAM DETAILS						
CASCO BAY STEEL STRUCTURES, INC. 1 WALLACE AVE. SOUTH PORTLAND, ME 04106 PHONE (207) 780-6722 FAX (207) 780-6726				DRAWN: RB DATE: 12/21/15 CHKD: WJL DATE: 1/15/16		
STRUCTURE: TH-10 OVER OTTER CREEK PONY TRUSS BRIDGE				JOB NO. 598		
LOCATION: RUTLAND CITY, VERMONT				DWG NO. 17		
PROJ NO. BRF 3000 (19)				REV. 17		
CUSTOMER: KUBRICKY CONSTRUCTION CORP.						