

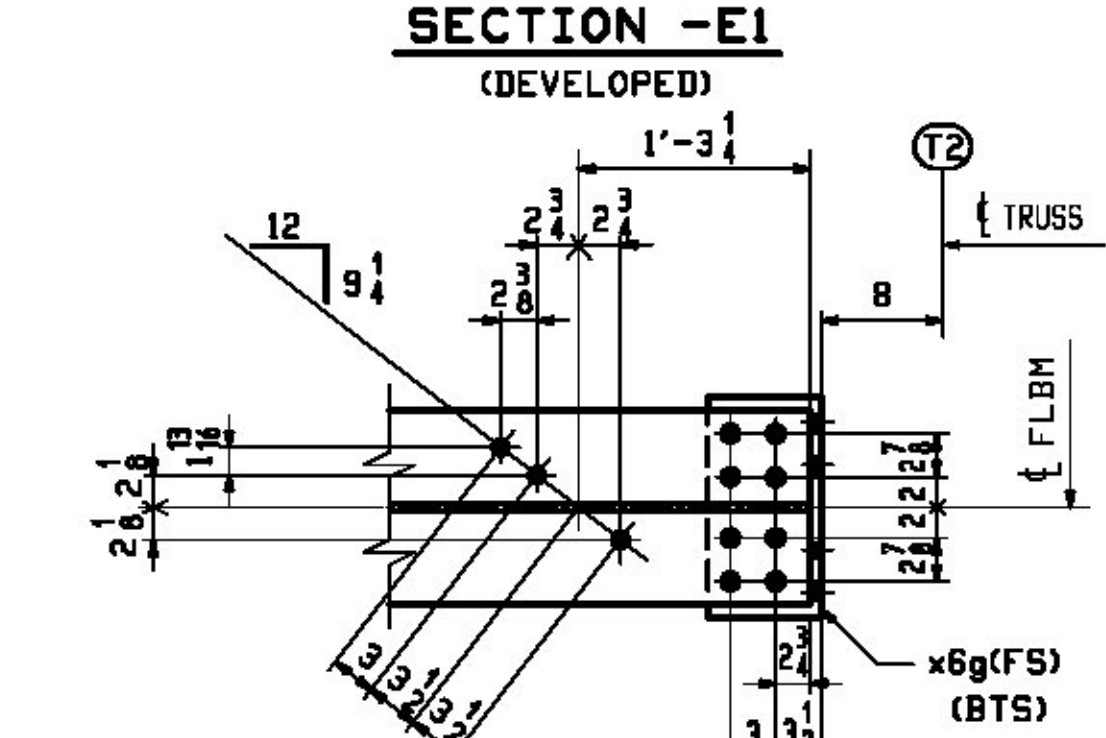
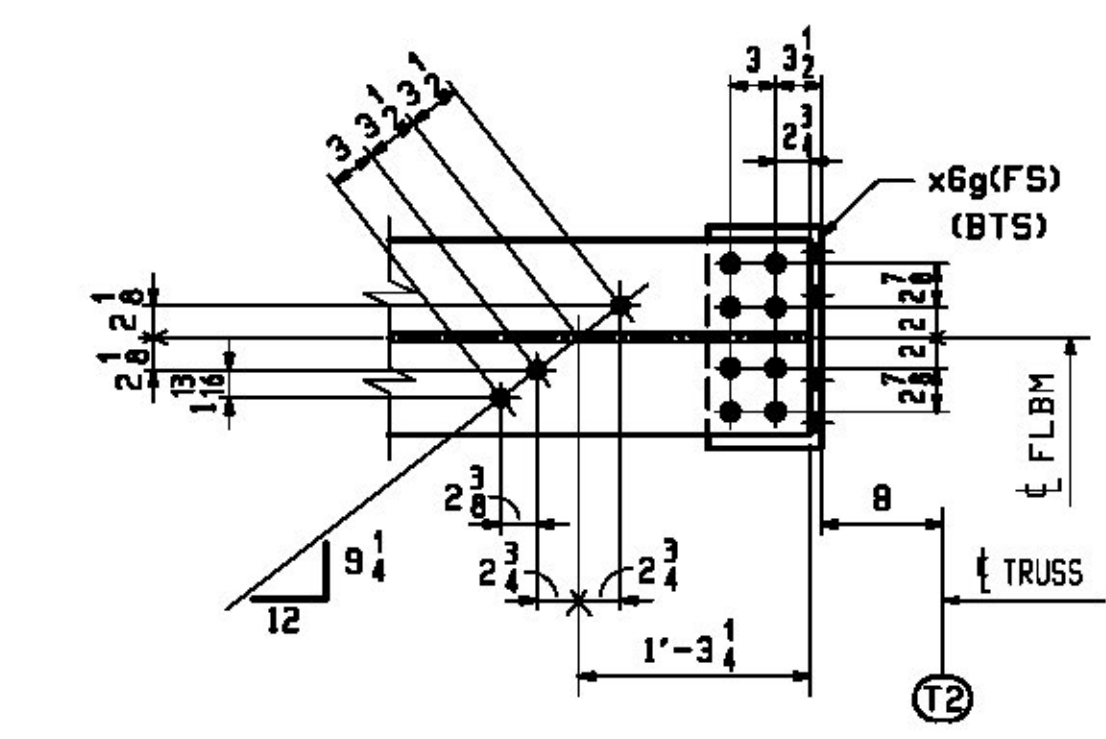
ALL STEEL SHALL BE HOT DIP GALVANIZED IN ACCORDANCE WITH SUBSECTION 506.15.

FLOORBEAM				
(END FLOORBEAM - LOOKING WEST)				
MARK	REQ'D	SECT.- ①	SECT.- ②	③
(E L/D) 16FB0	ONE	B1	E1	a16
(E L/B) 16FB8	ONE	B2	E2	b16

- NO EXCEPTION TAKEN
- REJECTED
- MAKE CORRECTIONS NOTED
- REVISE AND RESUBMIT
- SUBMIT SPECIFIED ITEM

CHECKING IS ONLY FOR THE GENERAL CONFORMANCE WITH THE DESIGN CONCEPT OF THE PROJECT AND GENERAL COMPLIANCE WITH THE INFORMATION GIVEN IN THE CONTRACT DOCUMENTS. ANY ACTION SHOWN IS SUBJECT TO THE REQUIREMENTS OF THE PLANS AND SPECIFICATIONS. CONTRACTOR IS RESPONSIBLE FOR DIMENSIONS WHICH SHALL BE CONFIRMED AND CORRELATED AT THE JOB SITE; FABRICATION PROCESSES AND TECHNIQUES OF CONSTRUCTION; COORDINATION OF HIS WORK WITH THAT OF ALL OTHER TRADES AND THE SATISFACTORY PERFORMANCE OF THE WORK.

DATE 1/29/2016 BY J. Najdowski



BILL OF MATERIAL				JOB NO.	DRAWING NO.	REV.	
				598	16		
PAGE LINE	MARK	QTY	MATERIAL	LENGTH	REMARKS	MT	PROCUREMENT NOTES
				FT			
	16FB0	1	FLOORBEAM		SEE NOTE "G"		442B
1	Y	1	a16	M 24x117	32'-1 1/8"		M270-S0F2 (FCM) 3754
4	E	4	x6d	L 8x7x 3/4	1'-6 1/2"		CUT FROM L8x8x3/4 M270-S0F2 (FCM) 56
4	D	2	x6f	L 8x8x 3/4	1'-2 1/2"		BENT M270-S0F2 (FCM) 47
4	D	2	x6g	L 8x8x 3/4	1'-2 1/2"		BENT M270-S0F2 (FCM) 47
4	F	4	x6h	PL 1/2x6	1'-10 1/2"		GIE M270-S0T2 19
6	E	140	STUD 7/8"	0'-7"	A108		1

REV.	DATE	REMARKS	DWN	CHK	APVL	SHOP
0						
MATERIAL:		M270-S0 (UN)	SURFACE PREP. & PAINT:		SEE DWG. GNI	SHOP BOLTS: NONE
DESCRIPTION:		FLOORBEAM DETAILS				
STRUCTURE:		TH-10 OVER OTTER CREEK PONY TRUSS BRIDGE		DRAWN:	RB	DATE: 12/21/15
LOCATION:		RUTLAND CITY, VERMONT		CHKD:	WJL	DATE: 1/15/16
PROJ NO.:		BRF 3000 (19)		JOB NO.:	598	DWG NO. 16
CUSTOMER:		KUBRICKY CONSTRUCTION CORP.				

Vermont Agency of Transportation
RECEIVED
 ON: **March 21, 2016**
 and Checked for
CONFORMANCE
 BY: **ABC** DATE:

- NOTES:
- FOR GENERAL NOTES SEE DWG. GNI.
 - FOR STANDARD DETAILS SEE DWG. X6.
 - BTS DENOTES BOLT TO SHIP OR SECURE FOR SHIPMENT.
 - FCM DENOTES FRACTURE CRITICAL WELD.
 - GIE DENOTES GRINDING AT ONE END OF PLATE.

15: The Date of Issue shall be the date of the issue of the drawing.