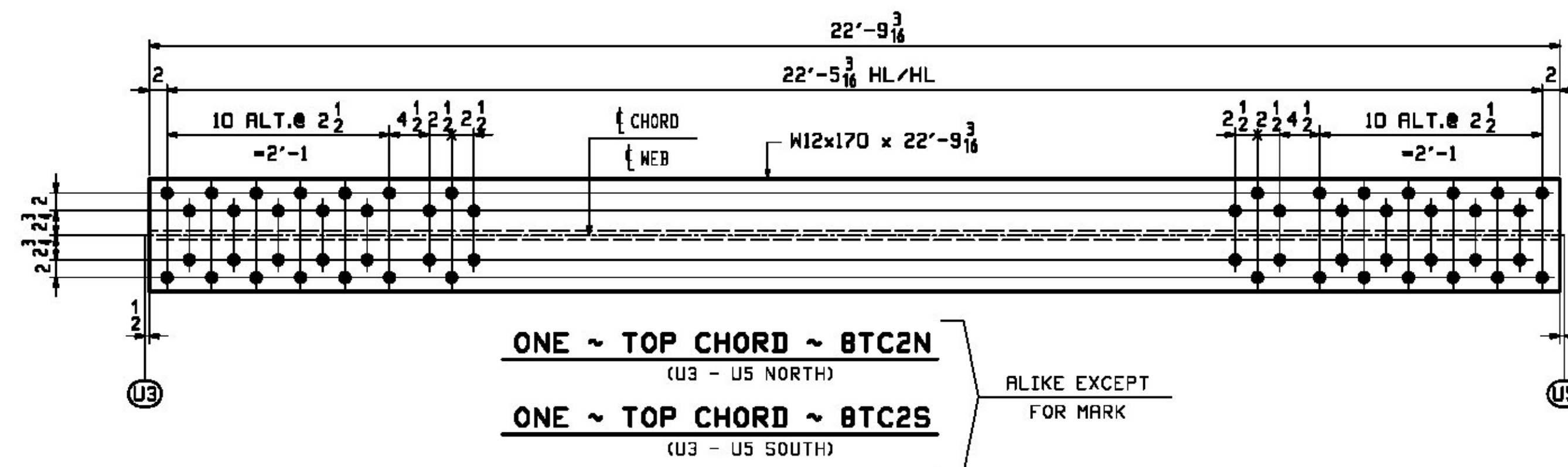


ONE ~ TOP CHORD ~ BTC1N
(U1 - U3 NORTH)
ONE ~ TOP CHORD ~ BTC1S
(U1 - U3 SOUTH)

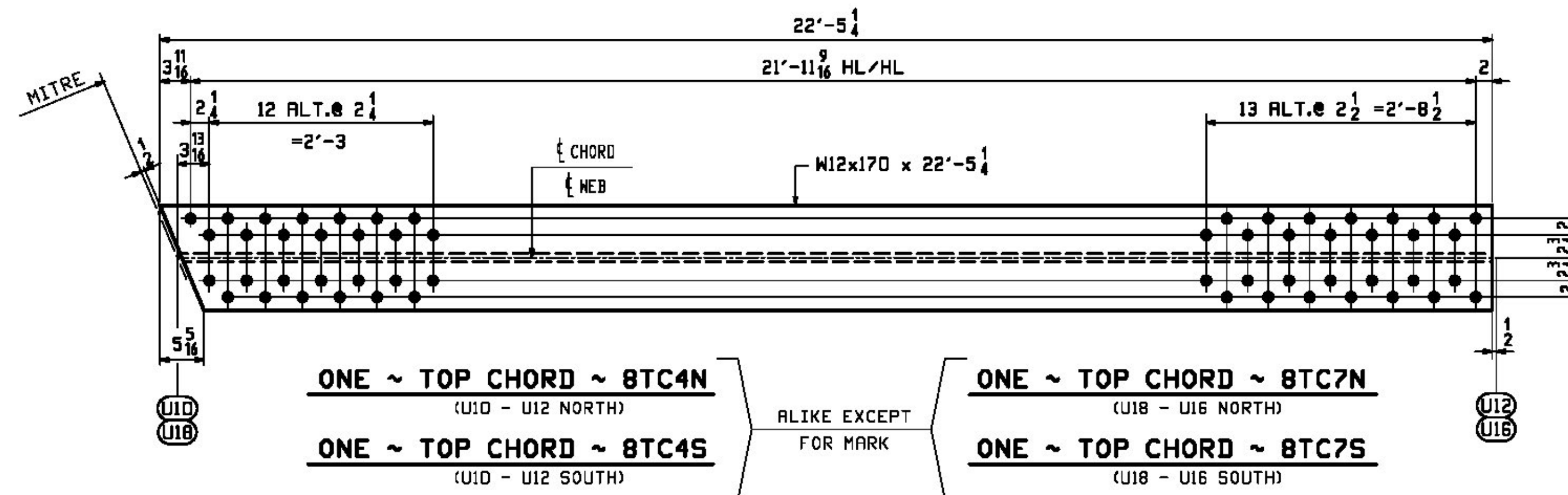
ALIKE EXCEPT FOR MARK

ONE ~ TOP CHORD ~ BTC3N
(U7 - U5 NORTH)
ONE ~ TOP CHORD ~ BTC3S
(U7 - U5 SOUTH)



ONE ~ TOP CHORD ~ BTC2N
(U3 - U5 NORTH)
ONE ~ TOP CHORD ~ BTC2S
(U3 - U5 SOUTH)

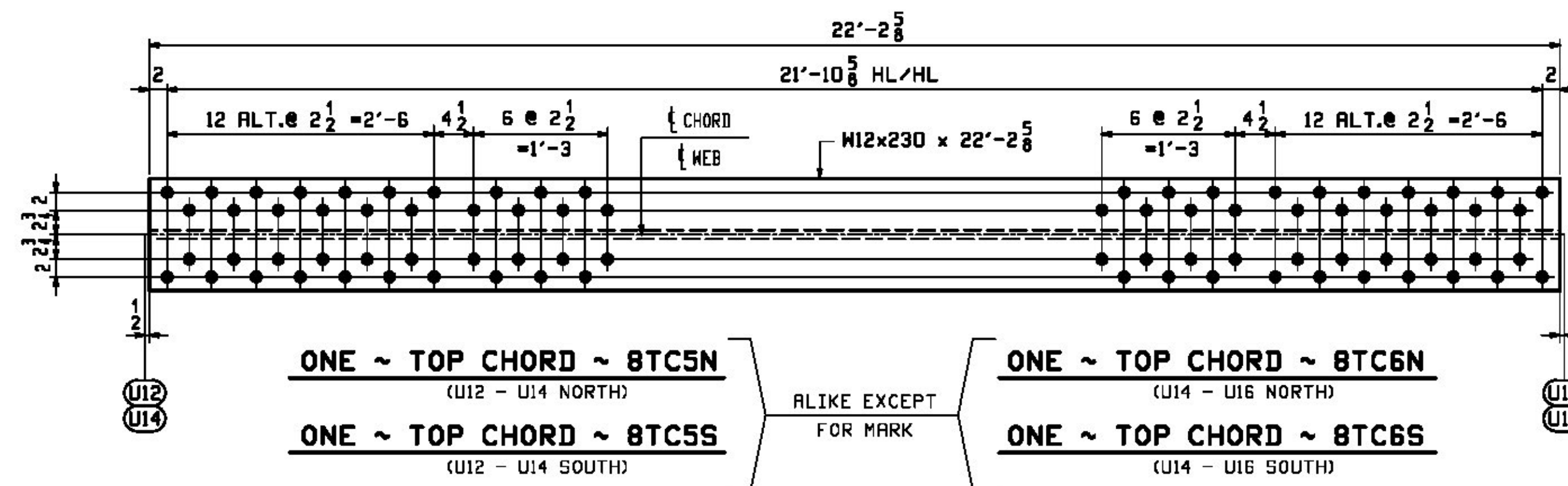
ALIKE EXCEPT FOR MARK



ONE ~ TOP CHORD ~ BTC4N
(U10 - U12 NORTH)
ONE ~ TOP CHORD ~ BTC4S
(U10 - U12 SOUTH)

ALIKE EXCEPT FOR MARK

ONE ~ TOP CHORD ~ BTC7N
(U18 - U16 NORTH)
ONE ~ TOP CHORD ~ BTC7S
(U18 - U16 SOUTH)



ONE ~ TOP CHORD ~ BTC5N
(U12 - U14 NORTH)
ONE ~ TOP CHORD ~ BTC5S
(U12 - U14 SOUTH)

ALIKE EXCEPT FOR MARK

ONE ~ TOP CHORD ~ BTC6N
(U14 - U16 NORTH)
ONE ~ TOP CHORD ~ BTC6S
(U14 - U16 SOUTH)

SHOP NOTE:
DO NOT SHIP FROM THIS DRAWING

Vermont Agency of Transportation

RECEIVED

ON: March 21, 2016

and Checked for

CONFORMANCE

BY: ABC DATE:

- NO EXCEPTION TAKEN
- MAKE CORRECTIONS NOTED
- REJECTED
- REVISE AND RESUBMIT
- SUBMIT SPECIFIED ITEM

CHECKING IS ONLY FOR THE GENERAL CONFORMANCE WITH THE DESIGN CONCEPT OF THE PROJECT AND GENERAL COMPLIANCE WITH THE INFORMATION GIVEN IN THE CONTRACT DOCUMENTS. ANY ACTION SHOWN IS SUBJECT TO THE REQUIREMENTS OF THE PLANS AND SPECIFICATIONS. CONTRACTOR IS RESPONSIBLE FOR DIMENSIONS WHICH SHALL BE CONFIRMED AND CORRELATED AT THE JOB SITE; FABRICATION PROCESSES AND TECHNIQUES OF CONSTRUCTION; COORDINATION OF HIS WORK WITH THAT OF ALL OTHER TRADES AND THE SATISFACTORY PERFORMANCE OF THE WORK.

CHA

DATE 1/29/2016 BY J. Najdowski

SHOP NOTE "G"

ALL STEEL SHALL BE HOT DIP GALVANIZED IN ACCORDANCE WITH SUBSECTION 506.15.

SHOP NOTE "H"

HOLES IN BOTH FLANGES OF EACH TOP CHORD BEAM ARE ALIKE.

NOTES:

- FOR GENERAL NOTES SEE DMG. GNI.
- CVN - DENOTES MATERIAL SUBJECT TO CHARPY V-NOTCH TESTING.

RBN INFO		SHIP		BILL OF MATERIAL		JOB NO.	DRAWING NO.	REV.
				TOP CHORDS		598	8	
PAGE LINE	MARK	QTY	MARK	MATERIAL	LENGTH FT	REMARKS	MT	PROCUREMENT NOTES
1	P	1		W 12x170	22 11 13/16	GRV. FLANGE EXCEPT FOR MARK M270-S0T2 (CVN)		3907
1	P	1		W 12x170	22 11 13/16	GRV. M270-S0T2 (CVN)		3907
1	P	1		W 12x170	22 11 13/16	GRV. M270-S0T2 (CVN)		3907
1	P	1		W 12x170	22 11 13/16	GRV. M270-S0T2 (CVN)		3907
1	P	1		W 12x170	22 9 3/16	GRV. FLANGE EXCEPT FOR MARK M270-S0T2 (CVN)		3870
1	P	1		W 12x170	22 9 3/16	GRV. M270-S0T2 (CVN)		3870
1	Q	1		W 12x170	22 5 1/4	GRV. FLANGE EXCEPT FOR MARK M270-S0T2 (CVN)		3814
1	Q	1		W 12x170	22 5 1/4	GRV. M270-S0T2 (CVN)		3814
1	Q	1		W 12x170	22 5 1/4	GRV. M270-S0T2 (CVN)		3814
1	Q	1		W 12x170	22 5 1/4	GRV. M270-S0T2 (CVN)		3814
1	R	1		W 12x230	22 2 5/8	GRV. FLANGE EXCEPT FOR MARK M270-S0T2 (CVN)		5110
1	R	1		W 12x230	22 2 5/8	GRV. M270-S0T2 (CVN)		5110
1	R	1		W 12x230	22 2 5/8	GRV. M270-S0T2 (CVN)		5110
1	R	1		W 12x230	22 2 5/8	GRV. M270-S0T2 (CVN)		5110

REV.	DATE	REMARKS	DWN	CHK	APVL	SHOP
0						
MATERIAL:		SURFACE PREP. & PAINT:		HOLES:		SHOP BOLTS:
M270-S0		HOT-DIP GALV.		15 16		NONE
DESCRIPTION: TOP CHORDS						
		CASCO BAY STEEL STRUCTURES, INC. 1 WALLACE AVE. PHONE (207) 780-6722 SOUTH PORTLAND, ME 04106 FAX. (207) 780-6726				
STRUCTURE: TH-10 OVER OTTER CREEK PONY TRUSS BRIDGE				DRAWN:	DATE:	
				RB	12/18/15	
				CHKD:	DATE:	
				WJL	1/15/16	
LOCATION: RUTLAND CITY, VERMONT				JOB NO.	DNW NO.	
PROJ NO. BRF 3000 (19)				598	8	
CUSTOMER: KUBRICKY CONSTRUCTION CORP.						REV.