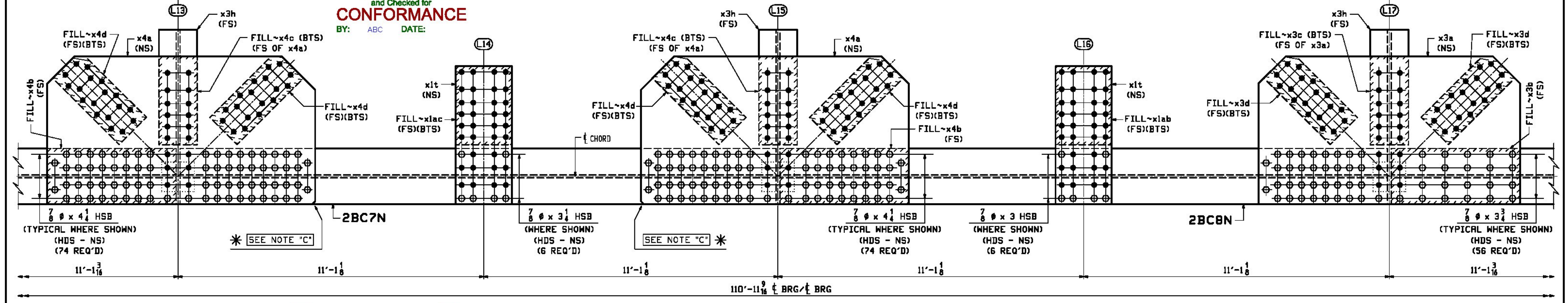


Vermont Agency of Transportation
RECEIVED
 ON: March 21, 2016
 and Checked for
CONFORMANCE
 BY: ABC DATE:

SECTION A-A (NORTH SIDE ELEVATION) (CONTINUED)
 (LOOKING NORTH)



SECTION B-B (SOUTH SIDE ELEVATION) (CONTINUED)
 (LOOKING NORTH)

- NO EXCEPTION TAKEN
- MAKE CORRECTIONS NOTED
- REJECTED
- REVISE AND RESUBMIT
- SUBMIT SPECIFIED ITEM

CHECKING IS ONLY FOR THE GENERAL CONFORMANCE WITH THE DESIGN CONCEPT OF THE PROJECT AND GENERAL COMPLIANCE WITH THE INFORMATION GIVEN IN THE CONTRACT DOCUMENTS. ANY ACTION SHOWN IS SUBJECT TO THE REQUIREMENTS OF THE PLANS AND SPECIFICATIONS. CONTRACTOR IS RESPONSIBLE FOR DIMENSIONS WHICH SHALL BE CONFIRMED AND CORRELATED AT THE JOB SITE; FABRICATION PROCESSES AND TECHNIQUES OF CONSTRUCTION; COORDINATION OF HIS WORK WITH THAT OF ALL OTHER TRADES AND THE SATISFACTORY PERFORMANCE OF THE WORK.

DATE 1/29/2016 BY J. Najdowski



REV.	DATE	REMARKS	DWN	CHK	APVL	SHOP
0						
MATERIAL:	M270-50 (UN)	SURFACE PREP. & PAINT: SEE DWG. GNI	HOLES: 15/16"			SHOP BOLTS: AS NOTED
DESCRIPTION: BOTTOM CHORD ASSEMBLY (NORTH TRUSS - SPAN 2)						
STRUCTURE: TH-10 OVER OTTER CREEK PONY TRUSS BRIDGE		DRAWN: RB		DATE: 12/17/15		
LOCATION: RUTLAND CITY, VERMONT		CHKD: WJL		DATE: 1/14/16		
PROJ NO. BRJ 3000 (19)		JOB NO. 598		DWG NO. 5BC		
CUSTOMER: KUBRICKY CONSTRUCTION CORP.				REV. <input checked="" type="checkbox"/>		

WORK THIS DWG. WITH DWG. 6AC & 6C