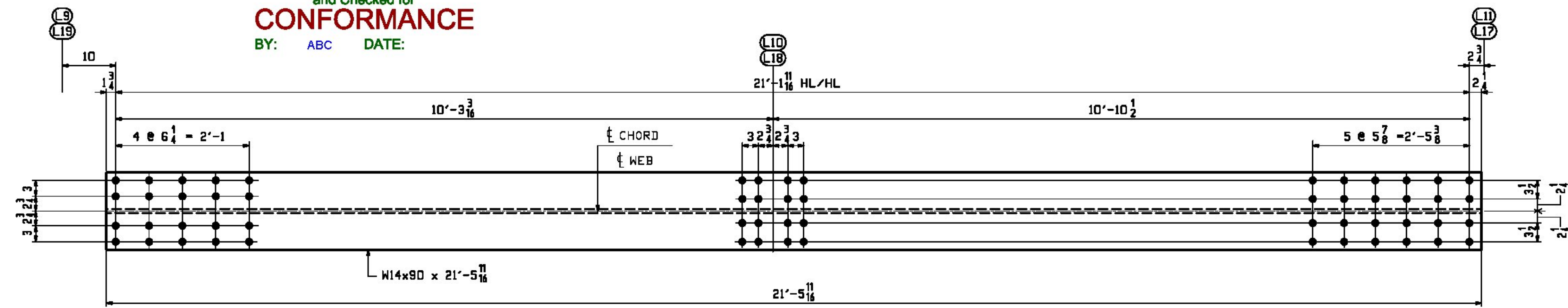


Vermont Agency of Transportation
RECEIVED
 ON: March 21, 2016
 and Checked for
CONFORMANCE
 BY: ABC DATE:

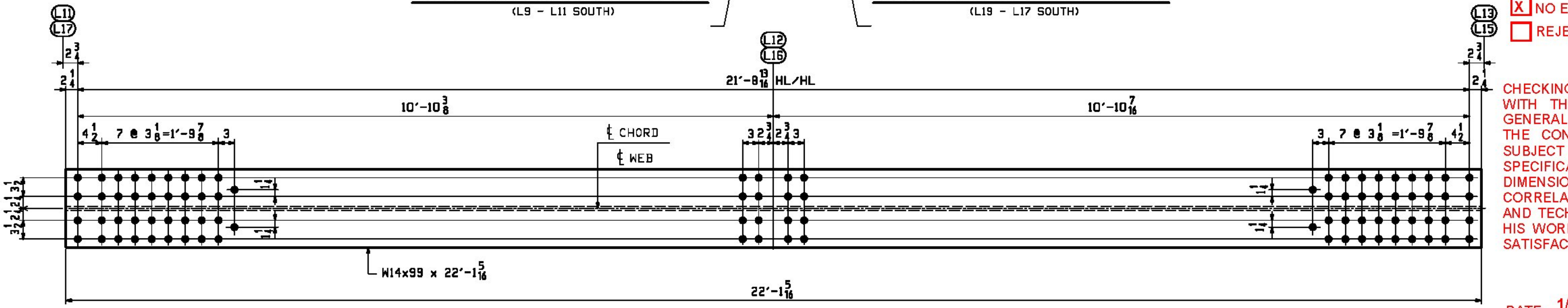
SHOP NOTE:
 DO NOT SHIP FROM THIS DRAWING

| RBN INFO | | SHIP | | BILL OF MATERIAL | | JOB NO. | DRAWING NO. | REV. |
|---------------|------|-------|------|------------------|---------------------|--|-------------|-------------------|
| | | | | | | 598 | 2 | |
| PAGE/LINE | MARK | QTY | MARK | MATERIAL | LENGTH FT INCHES | REMARKS | MT | PROCUREMENT NOTES |
| BOTTOM CHORDS | | | | | | | | |
| 1 | C | 2BC5N | 1 | M 14x90 | 21'-5 1/16" | ONLY PLATE EXCEPT FOR MARK M270-S0F2 (FCM) | | 1933 |
| 1 | C | 2BC5S | 1 | M 14x90 | 21'-5 1/16" | ONLY PLATE EXCEPT FOR MARK M270-S0F2 (FCM) | | 1933 |
| 1 | C | 2BC9N | 1 | M 14x90 | 21'-5 1/16" | ONLY PLATE EXCEPT FOR MARK M270-S0F2 (FCM) | | 1933 |
| 1 | C | 2BC9S | 1 | M 14x90 | 21'-5 1/16" | ONLY PLATE EXCEPT FOR MARK M270-S0F2 (FCM) | | 1933 |
| 1 | D | 2BC6N | 1 | M 14x99 | 22'-1 5/16" | ONLY PLATE EXCEPT FOR MARK M270-S0F2 (FCM) | | 2189 |
| 1 | D | 2BC6S | 1 | M 14x99 | 22'-1 5/16" | ONLY PLATE EXCEPT FOR MARK M270-S0F2 (FCM) | | 2189 |
| 1 | D | 2BC8N | 1 | M 14x99 | 22'-1 5/16" | ONLY PLATE EXCEPT FOR MARK M270-S0F2 (FCM) | | 2189 |
| 1 | D | 2BC8S | 1 | M 14x99 | 22'-1 5/16" | ONLY PLATE EXCEPT FOR MARK M270-S0F2 (FCM) | | 2189 |
| 1 | E | 2BC7N | 1 | M 14x120 | 22'-1 5/16" | ONLY PLATE EXCEPT FOR MARK M270-S0F2 (FCM) | | 2653 |
| 1 | E | 2BC7S | 1 | M 14x120 | 22'-1 5/16" | ONLY PLATE EXCEPT FOR MARK M270-S0F2 (FCM) | | 2653 |



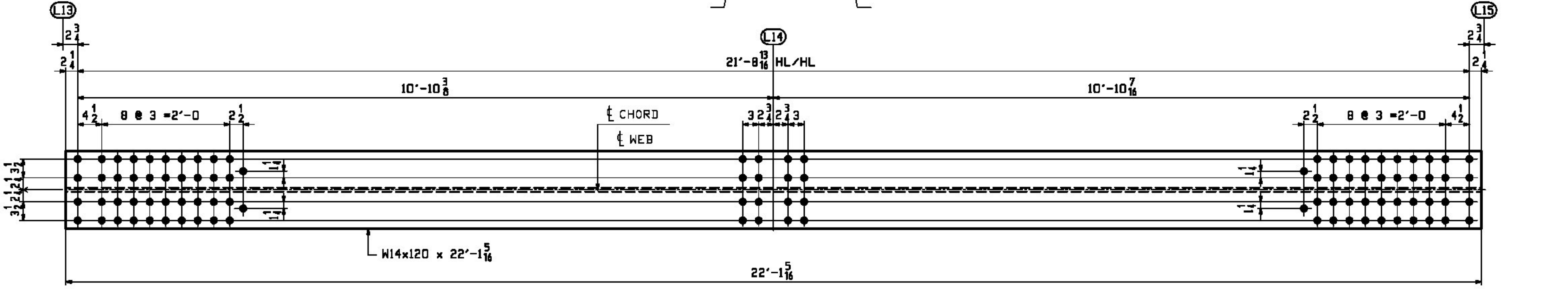
ONE ~ BOTTOM CHORD ~ 2BC5N (L9 - L11 NORTH)
 ONE ~ BOTTOM CHORD ~ 2BC5S (L9 - L11 SOUTH)
 ALIKE EXCEPT FOR MARK

ONE ~ BOTTOM CHORD ~ 2BC9N (L19 - L17 NORTH)
 ONE ~ BOTTOM CHORD ~ 2BC9S (L19 - L17 SOUTH)



ONE ~ BOTTOM CHORD ~ 2BC6N (L11 - L13 NORTH)
 ONE ~ BOTTOM CHORD ~ 2BC6S (L11 - L13 SOUTH)
 ALIKE EXCEPT FOR MARK

ONE ~ BOTTOM CHORD ~ 2BC8N (L17 - L15 NORTH)
 ONE ~ BOTTOM CHORD ~ 2BC8S (L17 - L15 SOUTH)



ONE ~ BOTTOM CHORD ~ 2BC7N (L13 - L15 NORTH)
 ONE ~ BOTTOM CHORD ~ 2BC7S (L13 - L15 SOUTH)
 ALIKE EXCEPT FOR MARK

- NO EXCEPTION TAKEN
- MAKE CORRECTIONS NOTED
- REJECTED
- REVISE AND RESUBMIT
- SUBMIT SPECIFIED ITEM

CHECKING IS ONLY FOR THE GENERAL CONFORMANCE WITH THE DESIGN CONCEPT OF THE PROJECT AND GENERAL COMPLIANCE WITH THE INFORMATION GIVEN IN THE CONTRACT DOCUMENTS. ANY ACTION SHOWN IS SUBJECT TO THE REQUIREMENTS OF THE PLANS AND SPECIFICATIONS. CONTRACTOR IS RESPONSIBLE FOR DIMENSIONS WHICH SHALL BE CONFIRMED AND CORRELATED AT THE JOB SITE; FABRICATION PROCESSES AND TECHNIQUES OF CONSTRUCTION; COORDINATION OF HIS WORK WITH THAT OF ALL OTHER TRADES AND THE SATISFACTORY PERFORMANCE OF THE WORK.

ALL STEEL SHALL BE HOT DIP GALVANIZED ACCORDANCE WITH SUBSECTION 506.15.

DATE 1/29/2016 BY J. Najdowski

SHOP NOTE "H"
 HOLES IN BOTH FLANGES OF EACH BOTTOM CHORD BEAM ARE ALIKE.

- NOTES:
 1. FOR GENERAL NOTES SEE DWG. GNI.
 2. FCM - DENOTES FRACTURE CRITICAL MATERIAL.

| REV. | DATE | REMARKS | DWN | CHK | APVL | SHOP |
|--|------|---|--------|----------|-------------|------|
| 0 | | | | | | |
| MATERIAL: | | SURFACE PREP. & PAINT: | HOLES: | | SHOP BOLTS: | |
| M270-S0 | | HOT-DIP GALV. | 15 16" | | NONE | |
| DESCRIPTION: BOTTOM CHORDS | | | | | | |
| | | CASCO BAY STEEL STRUCTURES, INC. | | | | |
| | | 1 WALLACE AVE. SOUTH PORTLAND, ME 04106 | | | | |
| STRUCTURE: | | DRAWN: | | DATE: | | |
| TH-10 OVER OTTER CREEK PONY TRUSS BRIDGE | | RB | | 12/15/15 | | |
| | | CHKD: | | DATE: | | |
| | | WJL | | 1/13/16 | | |
| LOCATION: | | JOB NO. | | DWG NO. | | |
| RUTLAND CITY, VERMONT | | 598 | | 2 | | |
| PROJ NO. BRF 3000 (19) | | CUSTOMER: | | REV. Δ | | |
| | | KUBRICKY CONSTRUCTION CORP. | | | | |