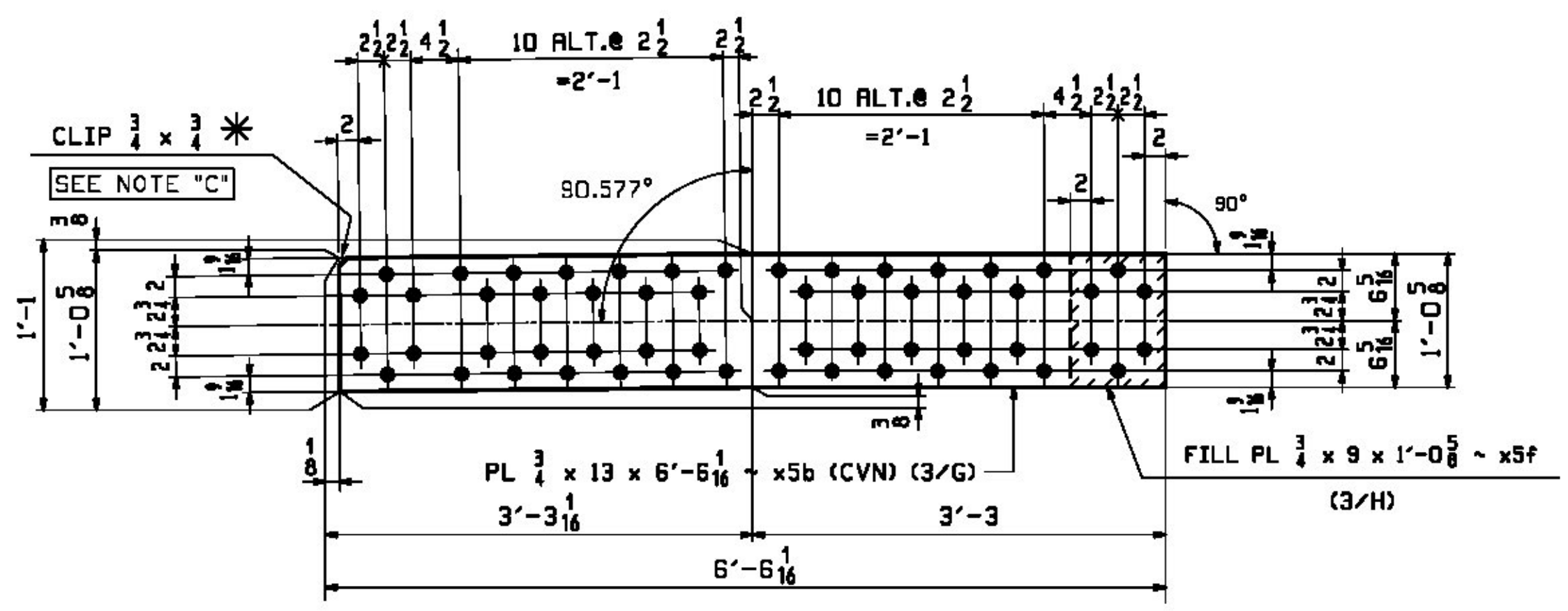


- 8 ~ GUSSET PLATES ~ x5a
(@ U3 & U5)
- 8 ~ FILL PLATES ~ x5c
(@ U3 & U5 VERTICALS)
- 16 ~ FILL PLATES ~ x5d
(@ U3 & U5 DIAGONALS)

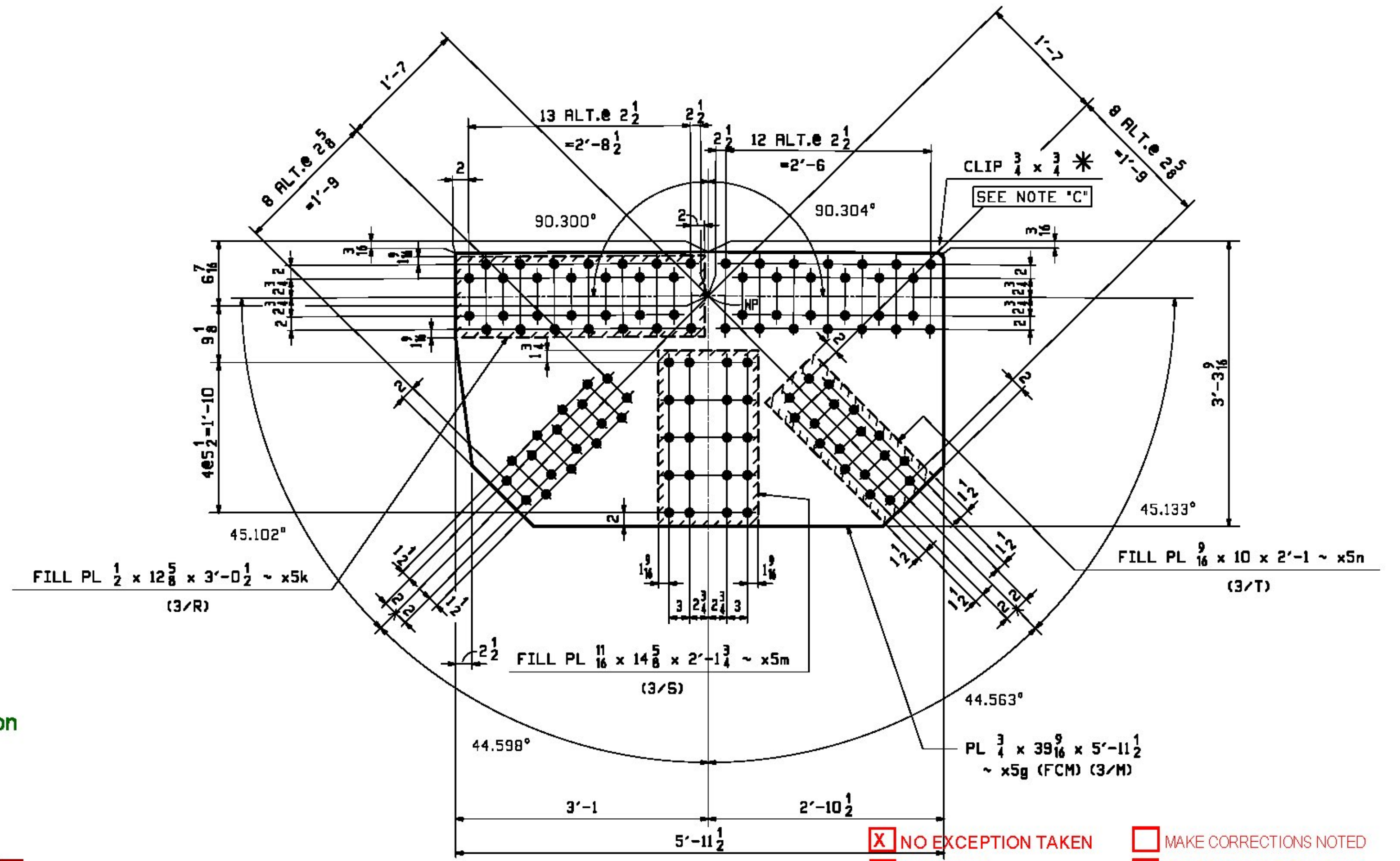


- 8 ~ CHORD PLATES ~ x5b
(@ U3 & U5)
- 16 ~ FILL PLATES ~ x5f
(@ U3 & U5 CHORD PLATES)

* SHOP NOTE "C"
CLIP PLATE CORNER FOR SHOP ORIENTATION @ ASSEMBLY.

SHOP NOTE "G"
ALL STEEL SHALL BE HOT DIP GALVANIZED IN ACCORDANCE WITH SUBSECTION 506.15.

Vermont Agency of Transportation
RECEIVED
ON: March 21, 2016
and Checked for
CONFORMANCE
BY: ABC DATE:



- 8 ~ GUSSET PLATES ~ x5g
(@ U12 & U16)
- 8 ~ FILL PLATES ~ x5k
(@ U12 & U16 CHORDS)
- 12 ~ FILL PLATES ~ x5m
(@ U12, U14 & U16 VERTICALS)
- 24 ~ FILL PLATES ~ x5n
(@ U12, U14 & U16 DIAGONALS)

- NO EXCEPTION TAKEN
- MAKE CORRECTIONS NOTED
- REJECTED
- REVISE AND RESUBMIT
- SUBMIT SPECIFIED ITEM

CHECKING IS ONLY FOR THE GENERAL CONFORMANCE WITH THE DESIGN CONCEPT OF THE PROJECT AND GENERAL COMPLIANCE WITH THE INFORMATION GIVEN IN THE CONTRACT DOCUMENTS. ANY ACTION SHOWN IS SUBJECT TO THE REQUIREMENTS OF THE PLANS AND SPECIFICATIONS. CONTRACTOR IS RESPONSIBLE FOR DIMENSIONS WHICH SHALL BE CONFIRMED AND CORRELATED AT THE JOB SITE; FABRICATION PROCESSES AND TECHNIQUES OF CONSTRUCTION; COORDINATION OF HIS WORK WITH THAT OF ALL OTHER TRADES AND THE SATISFACTORY PERFORMANCE OF THE WORK.



DATE 1/29/2016 BY J. Najdowski

REV.	DATE	REMARKS	DNW	CHK	APVL	SHOP
0						
MATERIAL:		SURFACE PREP. & PAINT:		HOLES:		SHOP BOLTS:
M270-50 (UN)		HOT-DIP GALV.		15/16"		NONE
DESCRIPTION: TRUSS STANDARD DETAILS						
			CASCO BAY STEEL STRUCTURES, INC. 1 WALLACE AVE. PHONE (207) 780-6722 SOUTH PORTLAND, ME 04106 FAX (207) 780-6726			
STRUCTURE: TH-10 OVER OTTER CREEK PONY TRUSS BRIDGE				DRAWN: RB		DATE: 12/14/15
				CHKD: WJL		DATE: 1/12/16
LOCATION: RUTLAND CITY, VERMONT				JOB NO. 598		DWG NO. X5
PROJ NO. BRF 3000 (19)				CUSTOMER: KUBRICKY CONSTRUCTION CORP.		REV.

- 8 ~ CHORD PLATES ~ x5h
(@ U12 & U16)
- 16 ~ FILL PLATES ~ x5p
(@ U12, U14 & U16 CHORD PLATES)

NOTES:
1. FOR GENERAL NOTES SEE DWG. GNI.
2. FCM - DENOTES FRACTURE CRITICAL MATERIAL.
3. CVN - DENOTES MATERIAL SUBJECT TO CHAPPY V-NOTCH TESTING.