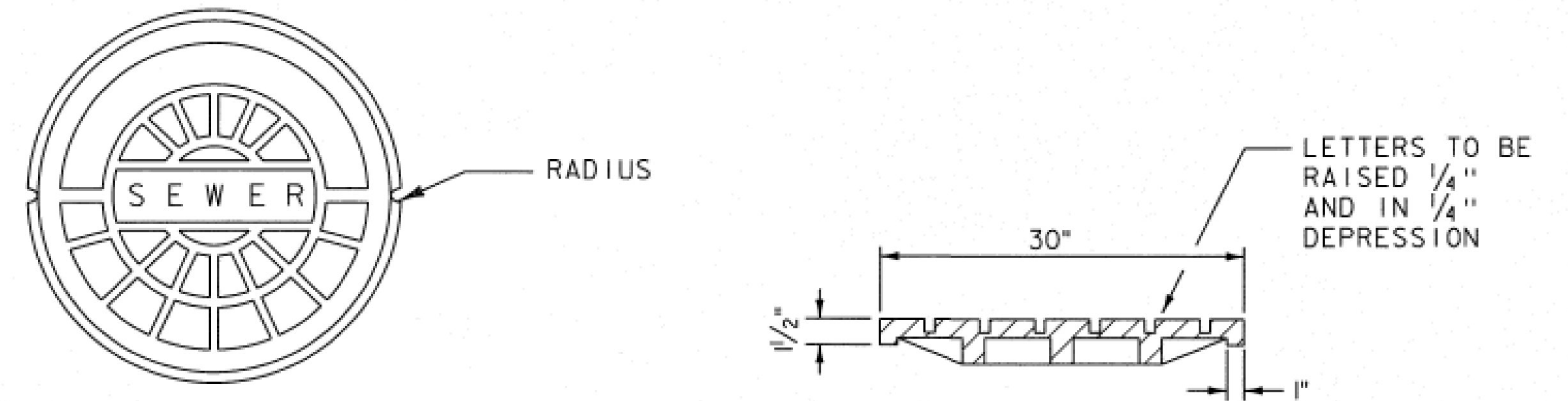


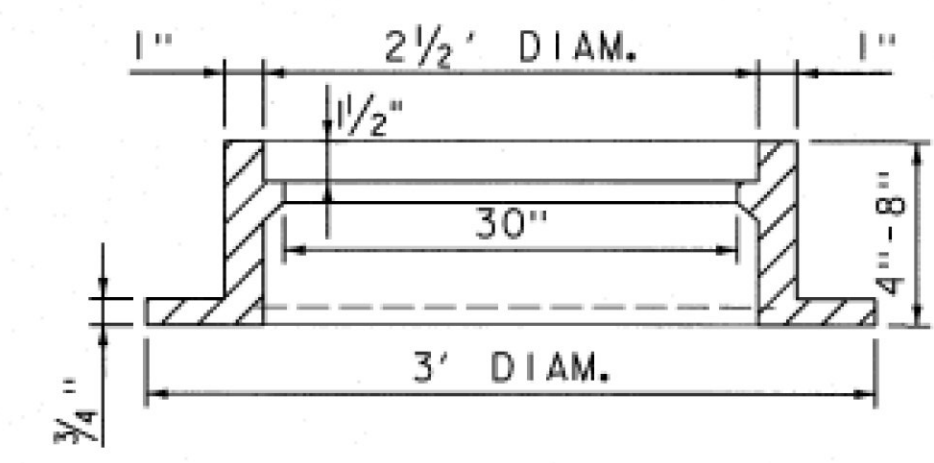
NOTES
 1. ALL MATERIALS AND WORK DEPICTED THIS DETAIL SHALL BE PAID UNDER ITEM 900.620 SPECIAL PROVISION (SANITARY MANHOLE, ALL-INCLUSIVE) (4' DIA.) AND ITEM 604.56 CAST IRON COVER WITH FRAME, SEWER.

PRECAST REINFORCED CONCRETE SANITARY SEWER MANHOLE



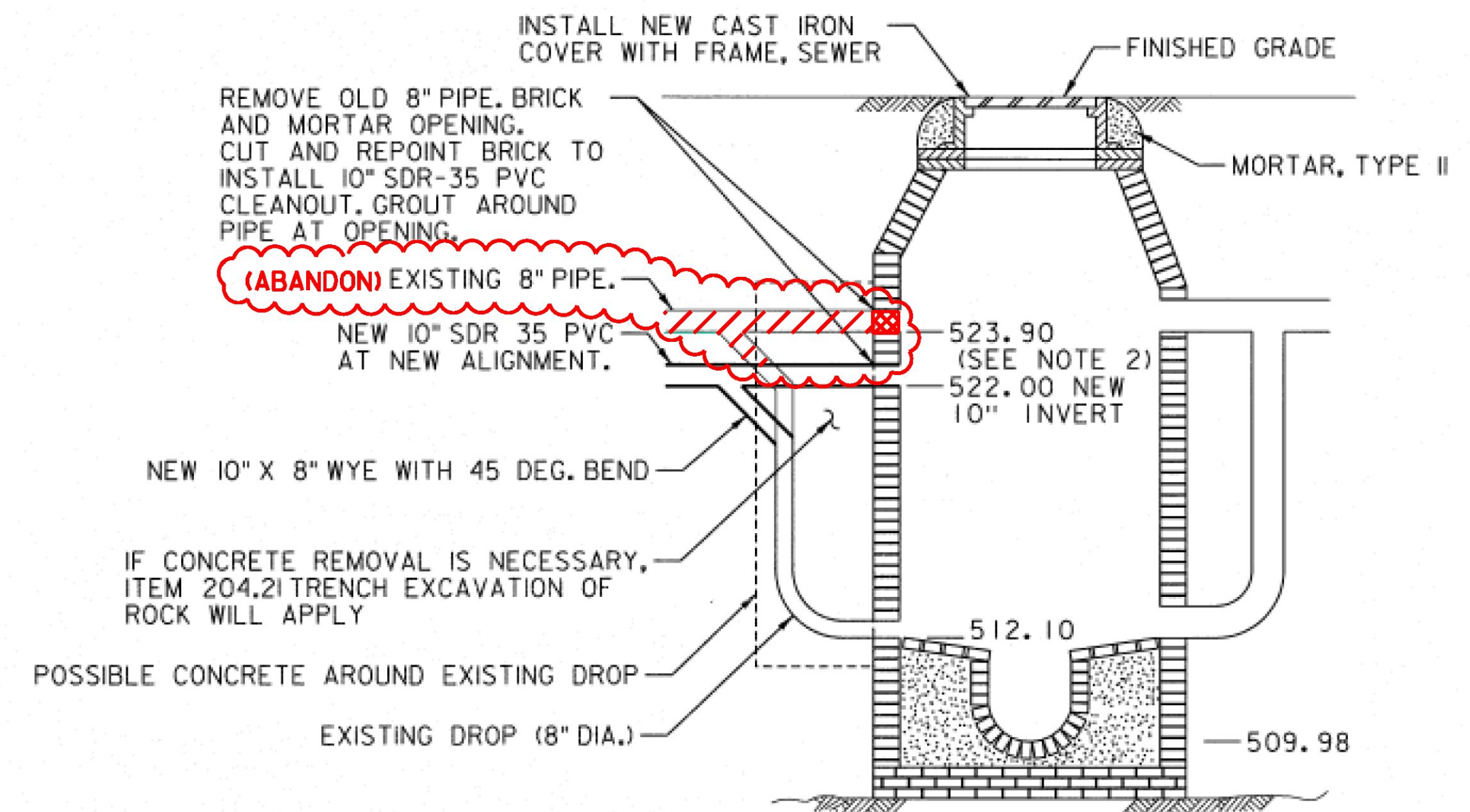
COVER PLAN

COVER SECTION



FRAME SECTION

MANHOLE FRAME AND COVER DETAIL

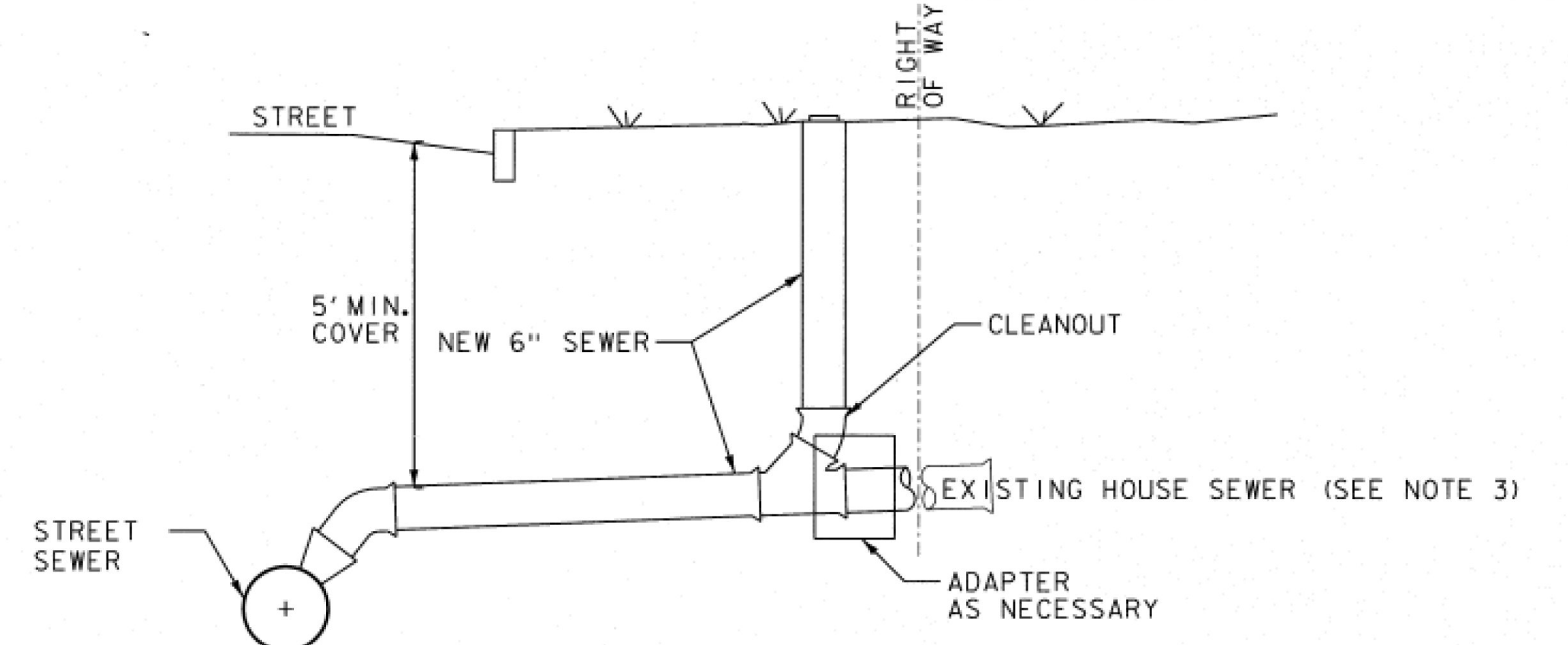


NOTES
 1. ALL MATERIALS AND WORK THIS DETAIL SHALL BE PAID UNDER ITEM 604.418 REHAB. DROP INLETS, CATCH BASINS, OR MANHOLES, CLASS III AND ITEM 604.56 CAST IRON COVER WITH FRAME, SEWER.
 2. ELEVATION OF EXISTING INVERTS APPROXIMATE. COMPUTED FROM SKETCH BY MALCOLM PIRNIE, DATED 5/31/74. CONTRACTOR TO VERIFY.
 3. NOTE THAT EXISTING 8" PIPE SHOWN AS TRANSITE (AC) ON CITY'S GIS MAPPING.

RIVER STREET SEWER MANHOLE DETAIL

RECORD DRAWING WATER AND SEWER ELEMENTS
 SOME OF THE CONTENT SHOWN ON THESE RECORD DRAWINGS HAS BEEN PREPARED BASED ON INFORMATION FURNISHED BY OTHERS. THE LOCATION OF ITEMS SHOWN WITHOUT LABELED DIMENSIONS SHALL BE CONSIDERED AS APPROXIMATE. MODIFICATIONS TO BRIDGE ELEMENTS ARE NOT ADDRESSED ON THESE RECORD PLANS. THE SITE WAS NOT RE-SURVEYED AFTER CONSTRUCTION, SO RECORD LOCATIONS, ELEVATIONS AND FINISH GRADES ARE APPROXIMATE AND SHALL BE CONSIDERED "SCHEMATIC." DETAILS AND CROSS SECTIONS MAY NOT REFLECT "AS-BUILT" CONDITIONS.

④ RECORD CHANGES CLOUD



NOTES
 1. JOINTS SHALL HAVE A NEOPRENE OR ELASTOMERIC GASKET FOR WATER TIGHTNESS. ALL JOINTS SHALL BE PROPERLY MATCHED WITH THE PIPE MATERIALS USED. WHERE DIFFERING MATERIALS ARE TO BE CONNECTED, APPROPRIATE ADAPTERS SHALL BE USED.
 2. PROVIDE WYE AT STREET SEWER.
 3. THE CONTRACTOR SHALL EXCAVATE, REMOVE, AND REPLACE ALL EXISTING PIPE THAT IS DAMAGED BACK TO SOLID PIPE OR TO THE RIGHT-OF-WAY, WHICHEVER IS LESS AS APPROVED BY THE ENGINEER, AT NO COST TO THE STATE.
 4. ALL MATERIALS AND WORK DEPICTED THIS DETAIL SHALL BE PAID FOR UNDER ITEM 900.640 SPECIAL PROVISION (SDR-35 PVC, ALL-INCLUSIVE) (6" SEWER SERVICE)

TYPICAL SEWER SERVICE CONNECTION

WATER AND SEWER PLANS 	PROJECT NAME: RUTLAND CITY PROJECT NUMBER: BRF 3000(16)
	FILE NAME: z94j092wtrswrdet.dgn PROJECT LEADER: C. BEAN DESIGNED BY: D. LEWIS WATER/SEWER DETAIL 2

NOT TO SCALE