

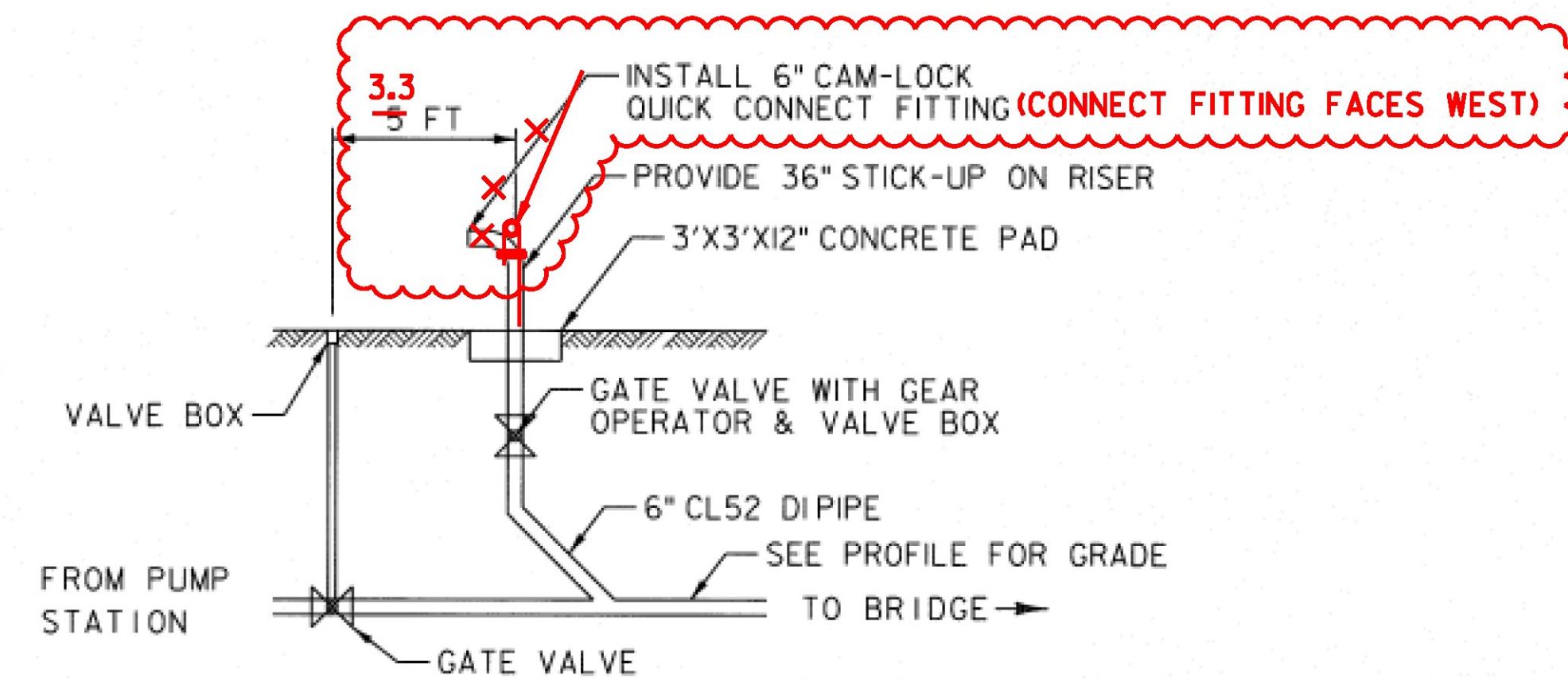
NOTES

- EXCEPT FOR NEW PAVEMENT AND TRENCH EXCAVATION OF ROCK, WORK DEPICTED ON THIS DETAIL SHALL BE INCIDENTAL TO EITHER SPECIAL PROVISION WATER MAIN OR SPECIAL PROVISION SEWER ITEMS.
- FOR STREET EXCAVATIONS, SUITABLE STOCKPILED MATERIAL FOR BACKFILL SHALL BE PLACED TO MATCH THE DEPTH OF EXISTING SUBBASE. UNSUITABLE BACKFILL WILL INCLUDE STONES OVER 4 INCHES IN LARGEST DIMENSION, CLAY, WET OR UNSTABLE MATERIAL, WOOD OR OTHER ORGANIC MATERIAL, AND FROZEN MATERIAL.
- PAYMENT FOR TRENCH EXCAVATION OF EARTH, STOCKPILING, DISPOSAL OF ALL SURPLUS MATERIAL, BACKFILL, SAND BORROW CUSHION, CRUSHED STONE BEDDING, LABOR, TOOLS, EQUIPMENT AND ALL INCIDENTALS NECESSARY TO COMPLETE THE WORK SHALL BE INCIDENTAL TO THE APPLICABLE PAY ITEM REFERENCED IN NOTE 1; EXCEPT FOR NEW PAVEMENT AND TRENCH EXCAVATION OF ROCK, WHICH WILL BE PAID FOR SEPARATELY.

TYPICAL TRENCH DETAIL

RECORD DRAWING WATER AND SEWER ELEMENTS
 SOME OF THE CONTENT SHOWN ON THESE RECORD DRAWINGS HAS BEEN PREPARED BASED ON INFORMATION FURNISHED BY OTHERS. THE LOCATION OF ITEMS SHOWN WITHOUT LABELED DIMENSIONS SHALL BE CONSIDERED AS APPROXIMATE. MODIFICATIONS TO BRIDGE ELEMENTS ARE NOT ADDRESSED ON THESE RECORD PLANS. THE SITE WAS NOT RE-SURVEYED AFTER CONSTRUCTION, SO RECORD LOCATIONS, ELEVATIONS AND FINISH GRADES ARE APPROXIMATE AND SHALL BE CONSIDERED "SCHEMATIC." DETAILS AND CROSS SECTIONS MAY NOT REFLECT "AS-BUILT" CONDITIONS.

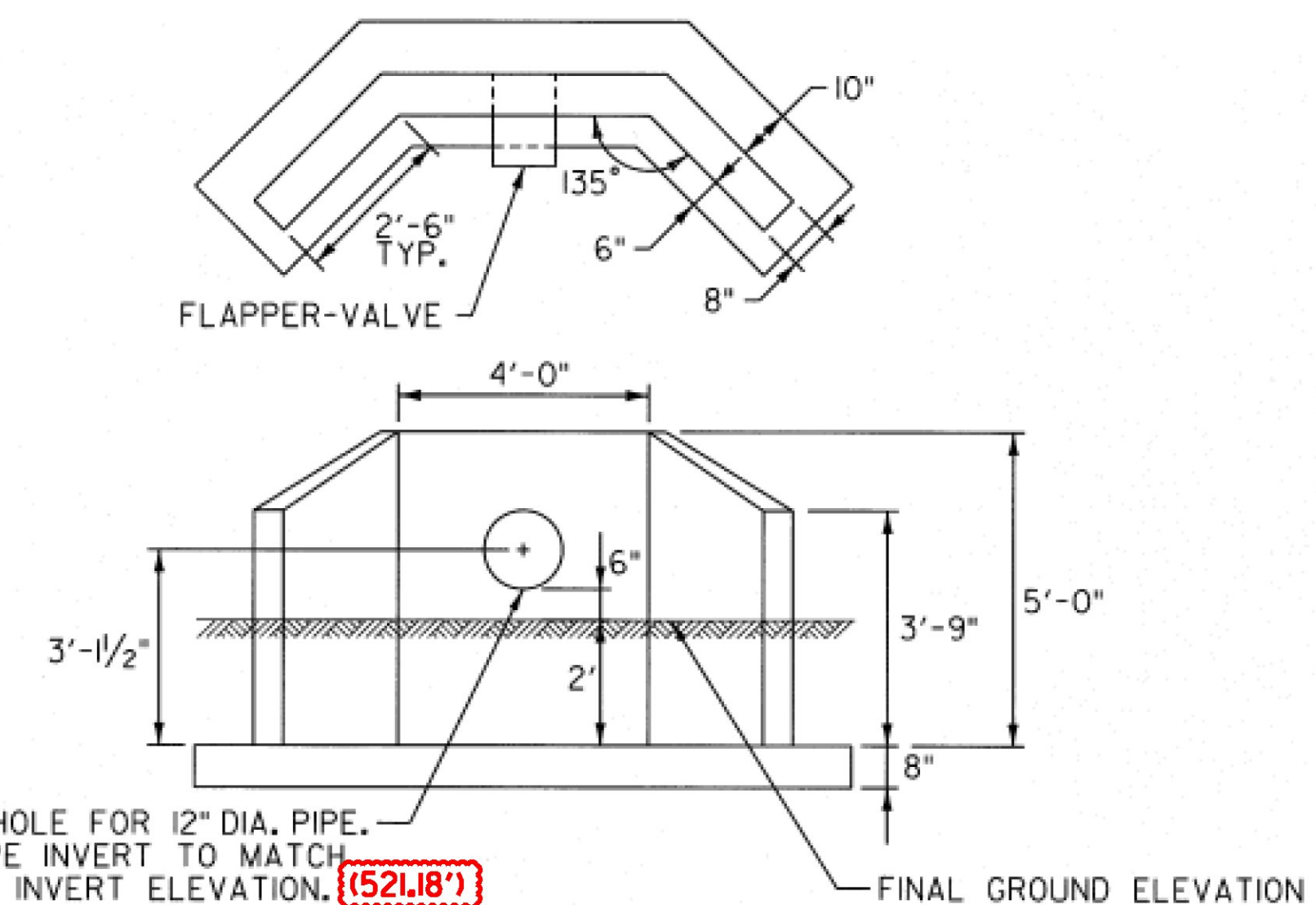
NOT TO SCALE



NOTES

- PROVIDE RESTRAINED JOINTS FOR ALL PIPING 20 LF EITHER SIDE OF RISER.
- RISER PIPE, CONCRETE PAD AND FITTINGS PAID FOR AS ITEM 900.645 SPECIAL PROVISION (EMERGENCY BACKUP PORT). GATE VALVES PAID FOR SEPARATELY.

FORCE MAIN EMERGENCY BACKUP PORT



NOTES

- HEADWALL AND FOOTING SHALL BE PRECAST REINFORCED CONCRETE. COMPRESSIVE STRENGTH SHALL BE 3500 PSI. CONCRETE SHALL MEET THE REQUIREMENTS OF SECTION 540.
- PROVIDE WORKING DRAWING OF FLAPPER VALVE FOR ENGINEER APPROVAL. PARGE NEW OVERFLOW PIPE THROUGH HEADWALL. THIS WORK SHALL BE PAID UNDER ITEM 900.645 SPECIAL PROVISION (FLAPPER VALVE AND HEADWALL).

FLAPPER VALVE AND HEADWALL DETAIL

④ RECORD CHANGES CLOUD

	WATER AND SEWER PLANS	PROJECT NAME: RUTLAND CITY PROJECT NUMBER: BRF 3000(16)
	540 Commercial Street, Manchester, NH 03101 (603) 868-8223 • Fax: (603) 868-9802 cld@cldeengineers.com • www.cldeengineers.com Maine • New Hampshire • Vermont	FILE NAME: z94j092wtrswrdet.dgn PROJECT LEADER: C. BEAN DESIGNED BY: D. LEWIS WATER/SEWER DETAIL 1