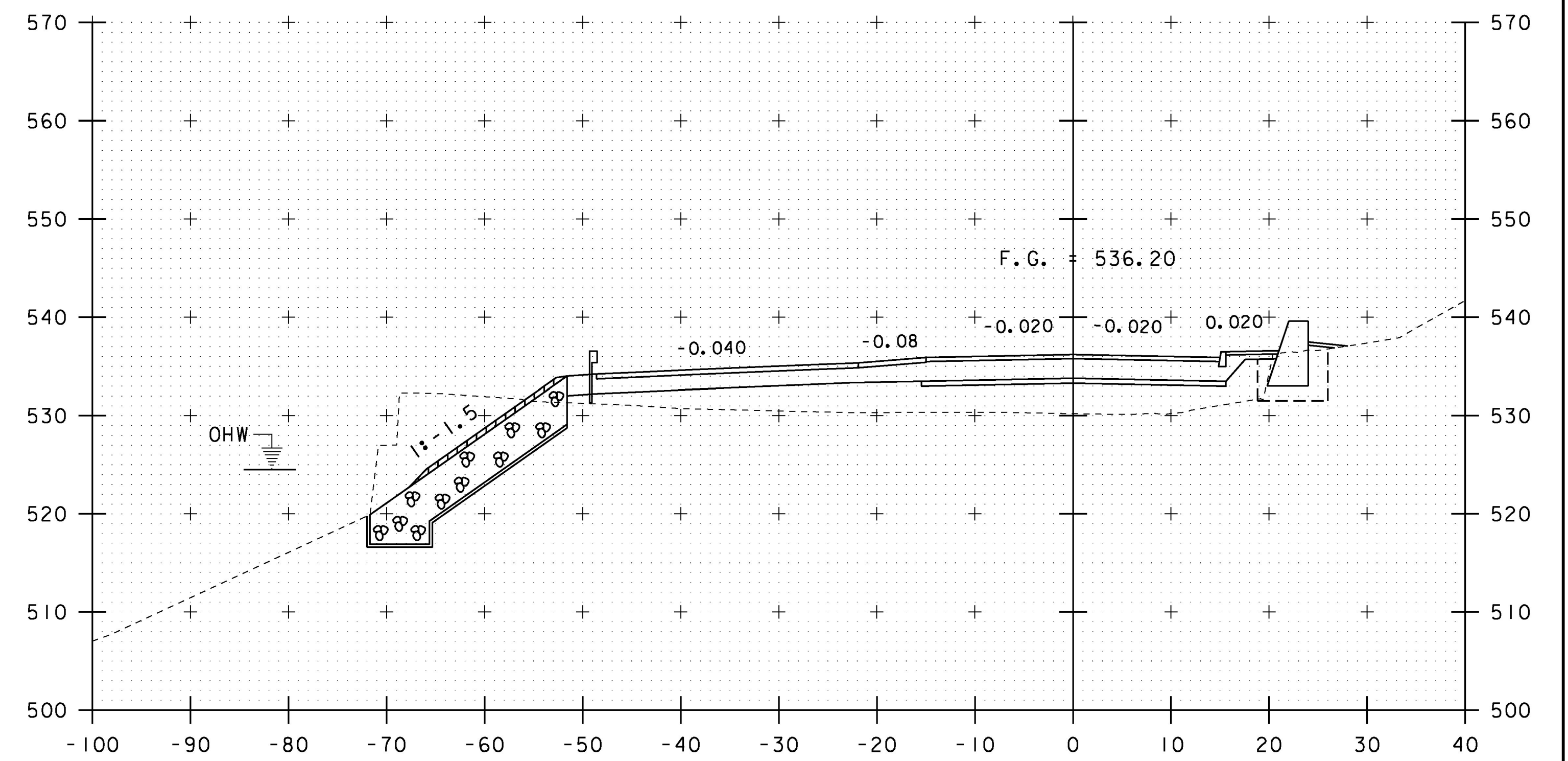
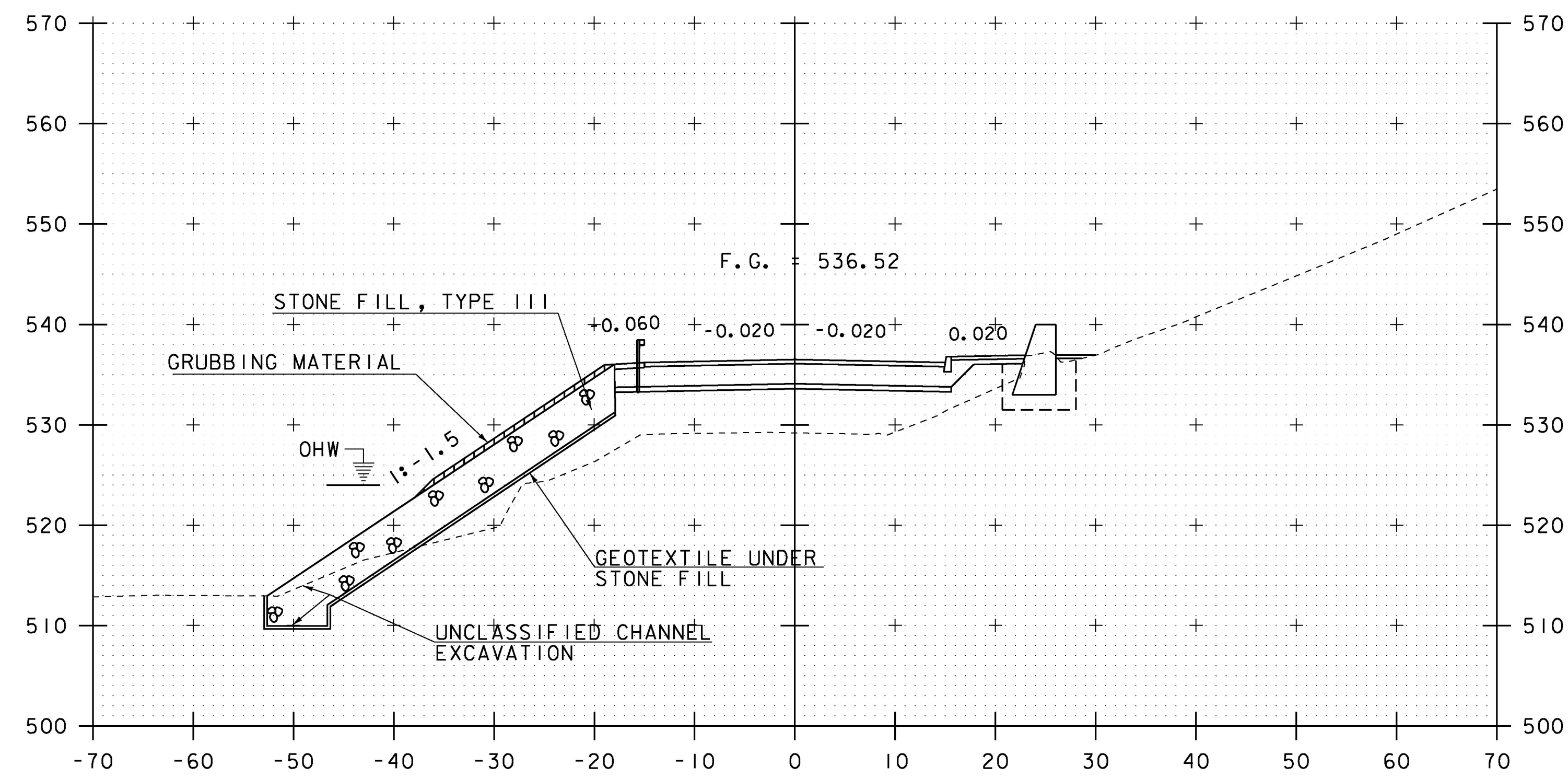


499+50

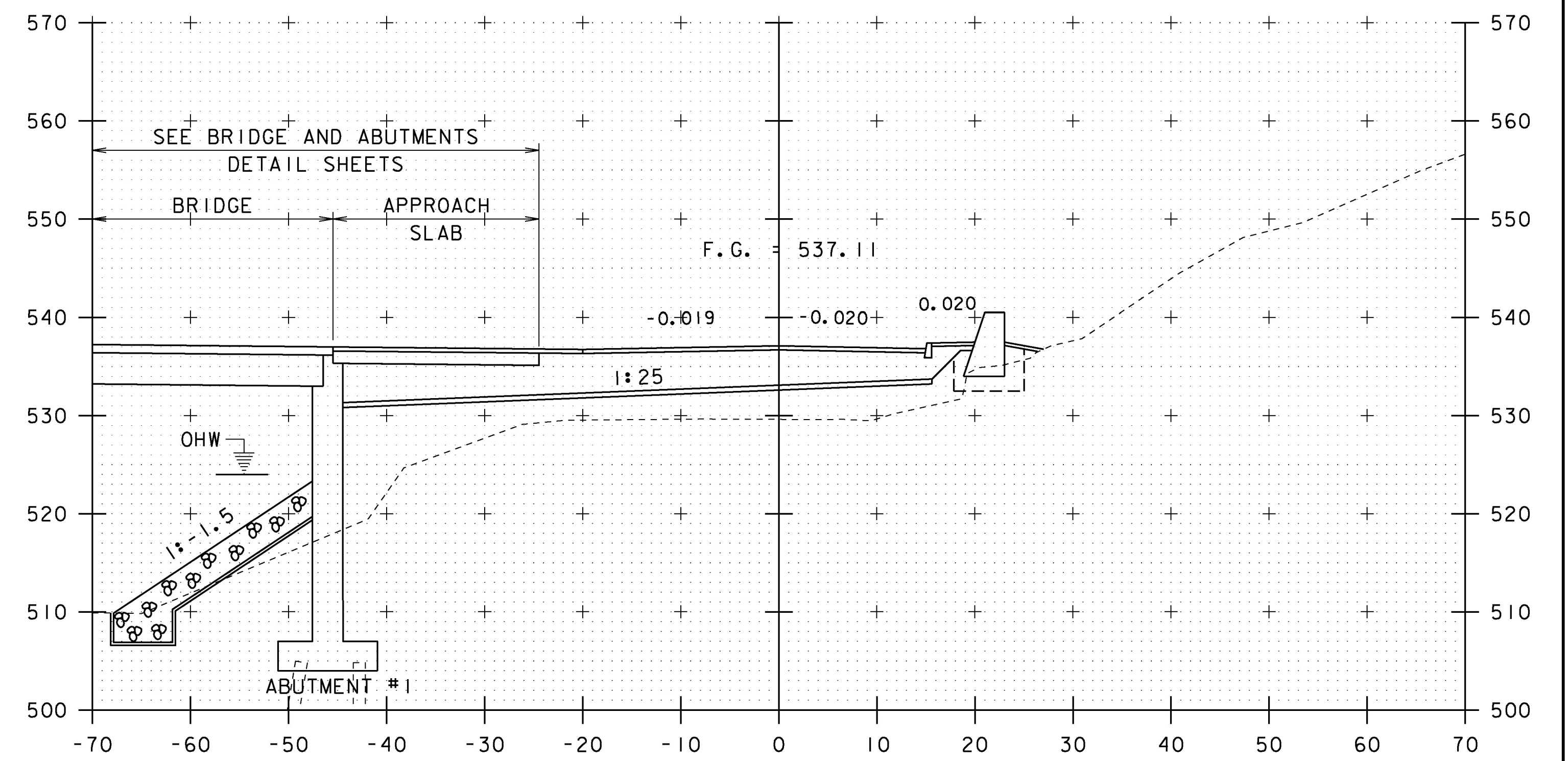


STA. 500+14 LEFT
BEGIN GRUBBING MATERIAL

500+50



499+25



STA. 499+80 LEFT
END GRUBBING MATERIAL

500+00

STA. 499+25 TO STA. 500+50

PROJECT NAME:	RUTLAND CITY
PROJECT NUMBER:	BRF 3000 (16)
FILE NAME:	s94j092xs.dgn
PROJECT LEADER:	C. CARLSON
DESIGNED BY:	M. EVANS-MONGEON
TH 10 CROSS SECTION SHEET 3	
PLOT DATE:	08-JUL-2014
DRAWN BY:	M. LONGSTREET
CHECKED BY:	EVANS-MONGEON
SHEET	210 OF 245