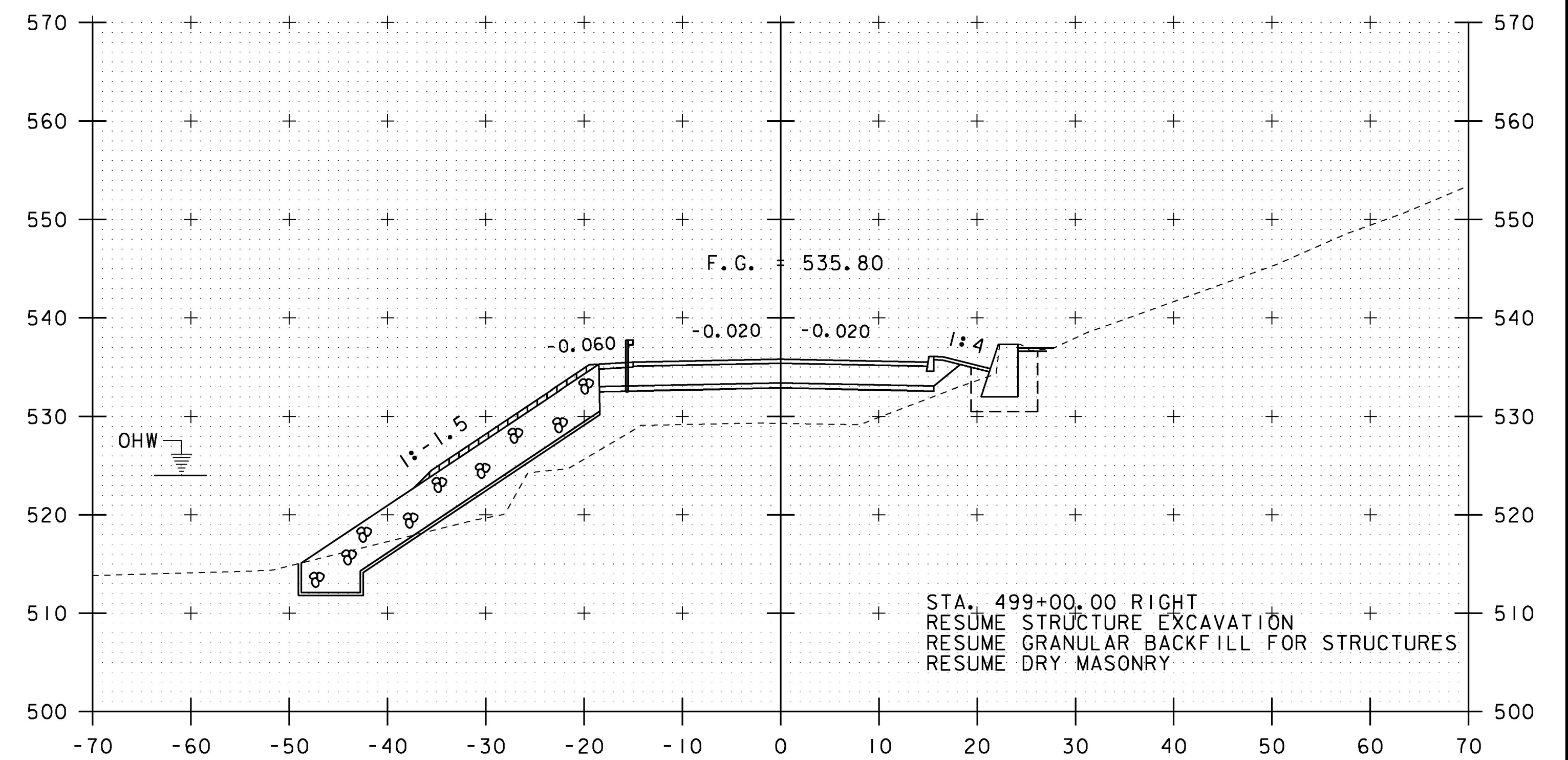


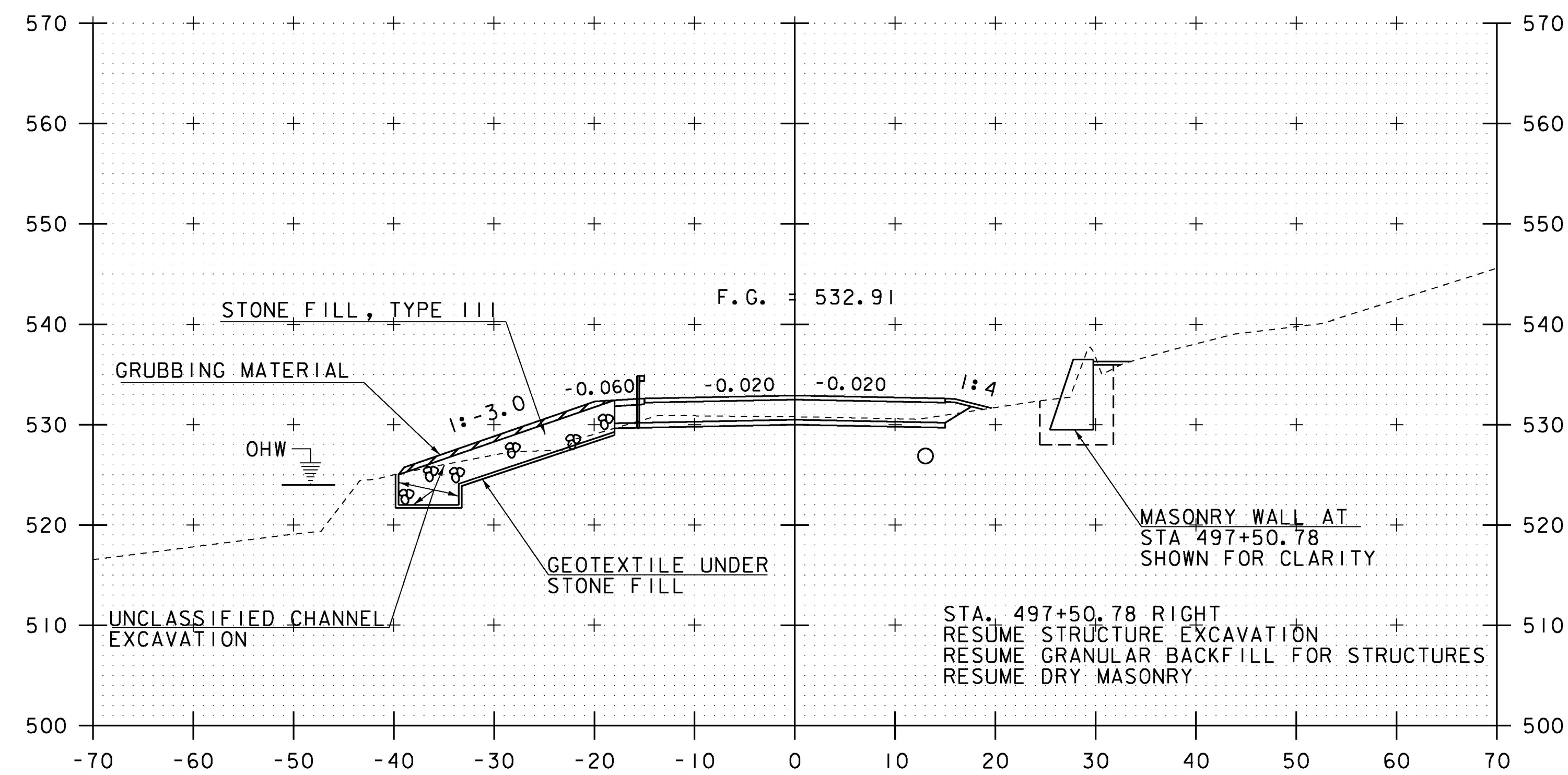
498+00

STA. 497+85.00 RIGHT
 STOP STRUCTURE EXCAVATION
 STOP GRANULAR BACKFILL FOR STRUCTURES
 STOP DRY MASONRY



499+00

STA. 499+00.00 RIGHT
 RESUME STRUCTURE EXCAVATION
 RESUME GRANULAR BACKFILL FOR STRUCTURES
 RESUME DRY MASONRY



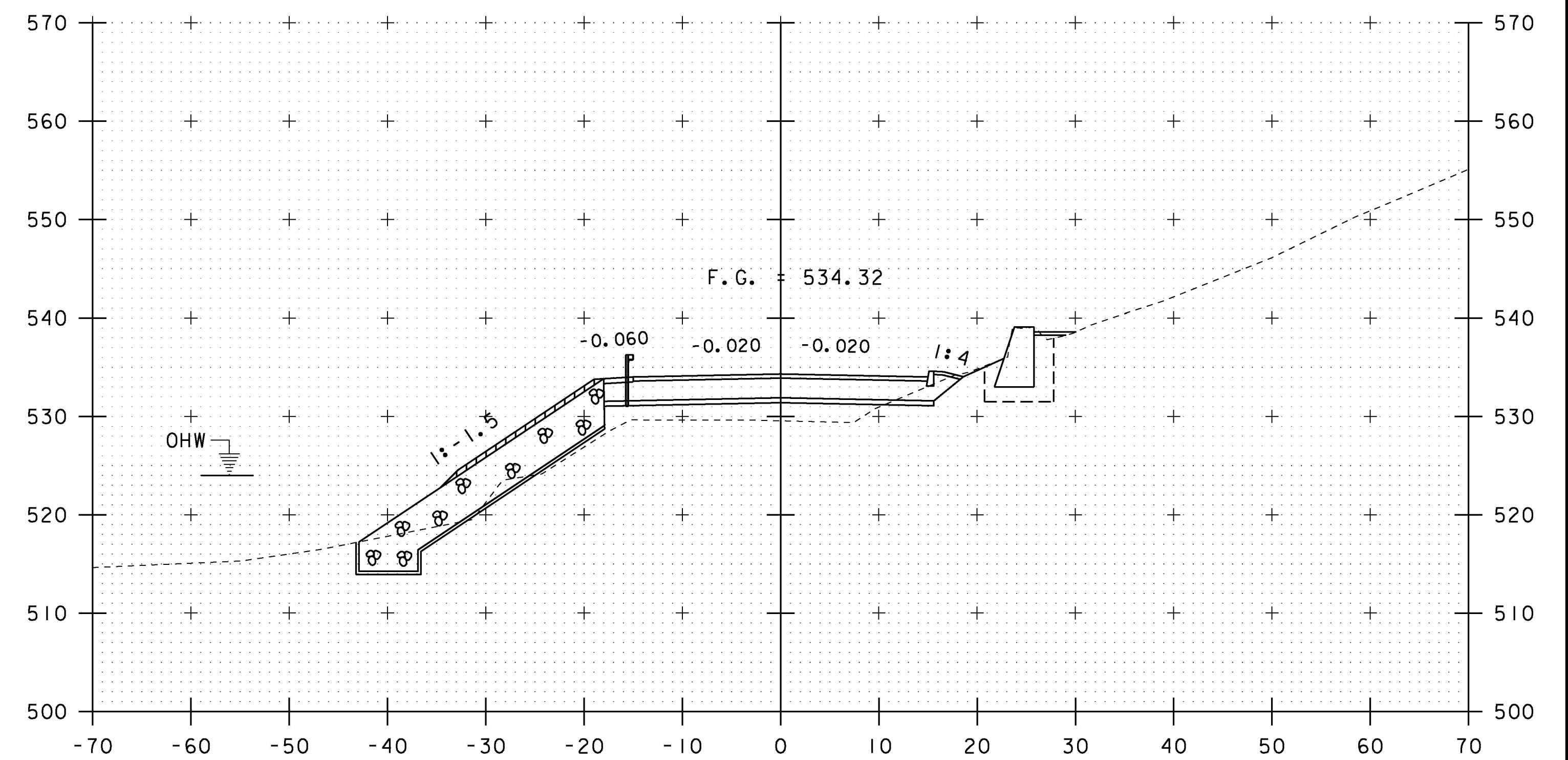
497+50

STA. 497+50.78 RIGHT
 RESUME STRUCTURE EXCAVATION
 RESUME GRANULAR BACKFILL FOR STRUCTURES
 RESUME DRY MASONRY

STA. 497+28.00 RIGHT
 STOP STRUCTURE EXCAVATION
 STOP GRANULAR BACKFILL FOR STRUCTURES
 STOP DRY MASONRY

STA. 497+50 LEFT
 BEGIN UNCLASSIFIED CHANNEL EXCAVATION
 BEGIN STONE FILL, TYPE III
 BEGIN GEOTEXTILE UNDER STONE FILL
 BEGIN GRUBBING MATERIAL

STA. 497+20.00 RIGHT
 BEGIN STRUCTURE EXCAVATION
 BEGIN GRANULAR BACKFILL FOR STRUCTURES
 BEGIN DRY MASONRY



498+50

STA. 498+40.00 RIGHT
 RESUME STRUCTURE EXCAVATION
 RESUME GRANULAR BACKFILL FOR STRUCTURES
 RESUME DRY MASONRY

STA. 497+50 TO STA. 499+00

PROJECT NAME:	RUTLAND CITY	PLOT DATE:	08-JUL-2014
PROJECT NUMBER:	BRF 3000 (16)	DRAWN BY:	M.LONGSTREET
FILE NAME:	s94j092xs.dgn	CHECKED BY:	M.EVANS-MONGEON
PROJECT LEADER:	C. CARLSON	TH 10 CROSS SECTION SHEET 2	SHEET 209 OF 245