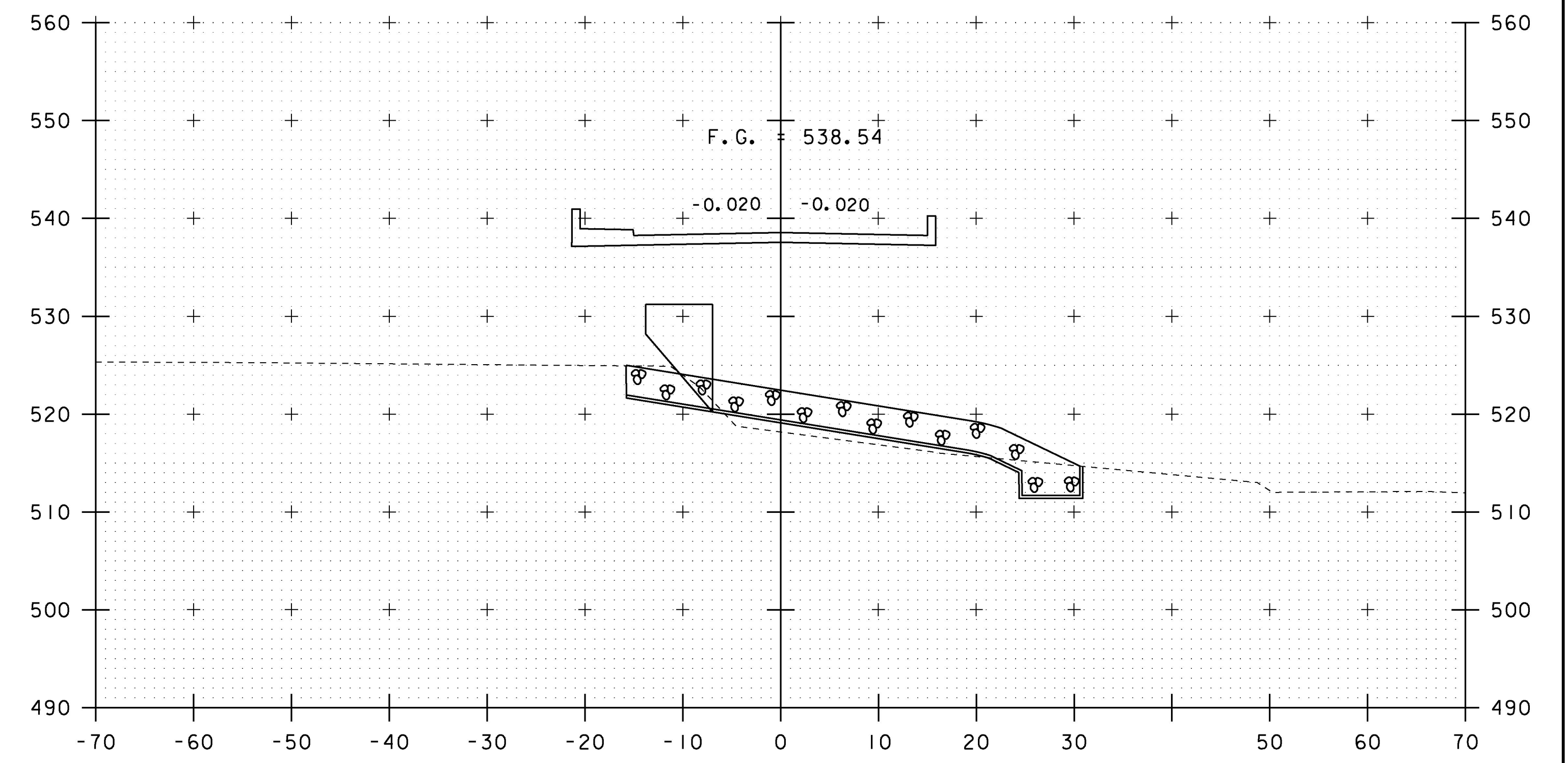


102+50



102+00

STA. 102+00 TO STA. 102+50

PROJECT NAME:	RUTLAND CITY
PROJECT NUMBER:	BRF 3000 (16)
FILE NAME:	s94j092xs.dgn
PROJECT LEADER:	C. CARLSON
DESIGNED BY:	M. EVANS-MONGEON
TH 8 CROSS SECTION SHEET 2	
PLOT DATE:	08-JUL-2014
DRAWN BY:	M. LONGSTREET
CHECKED BY:	EVANS-MONGEON
SHEET	200 OF 245