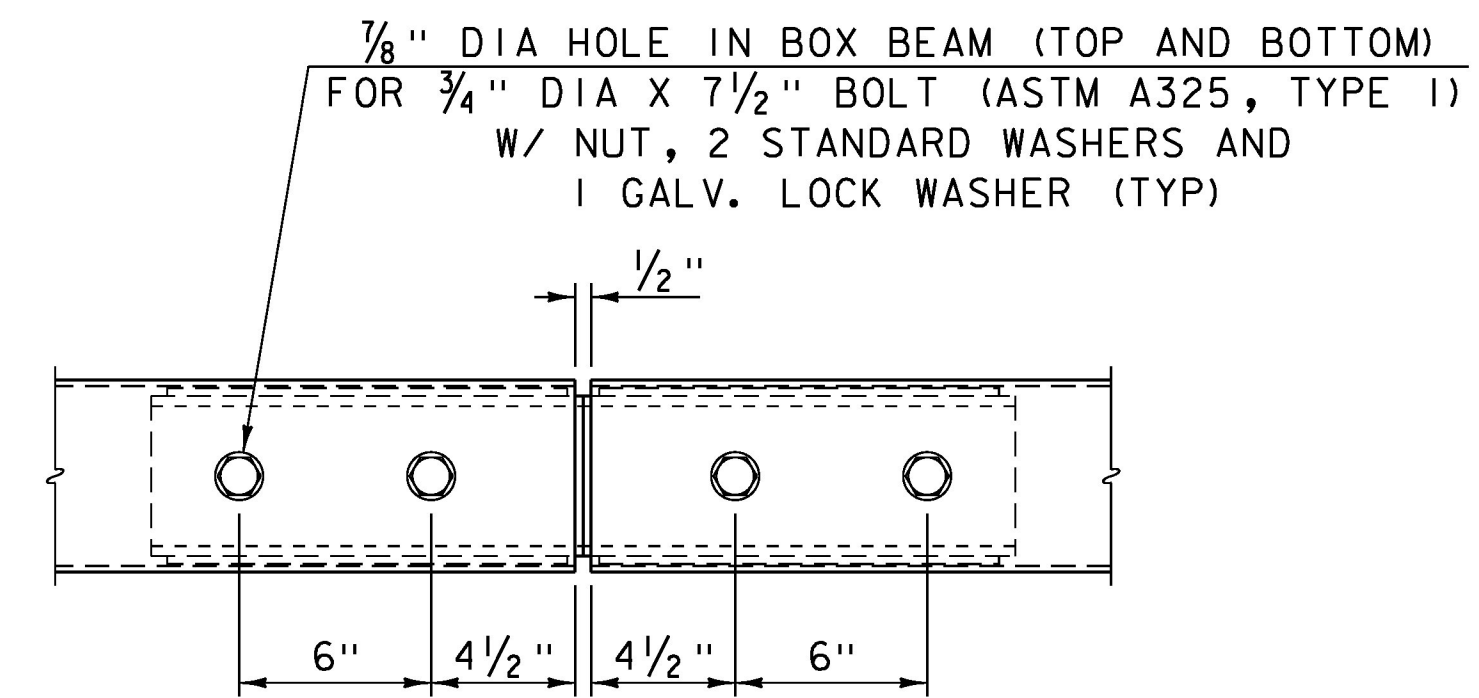
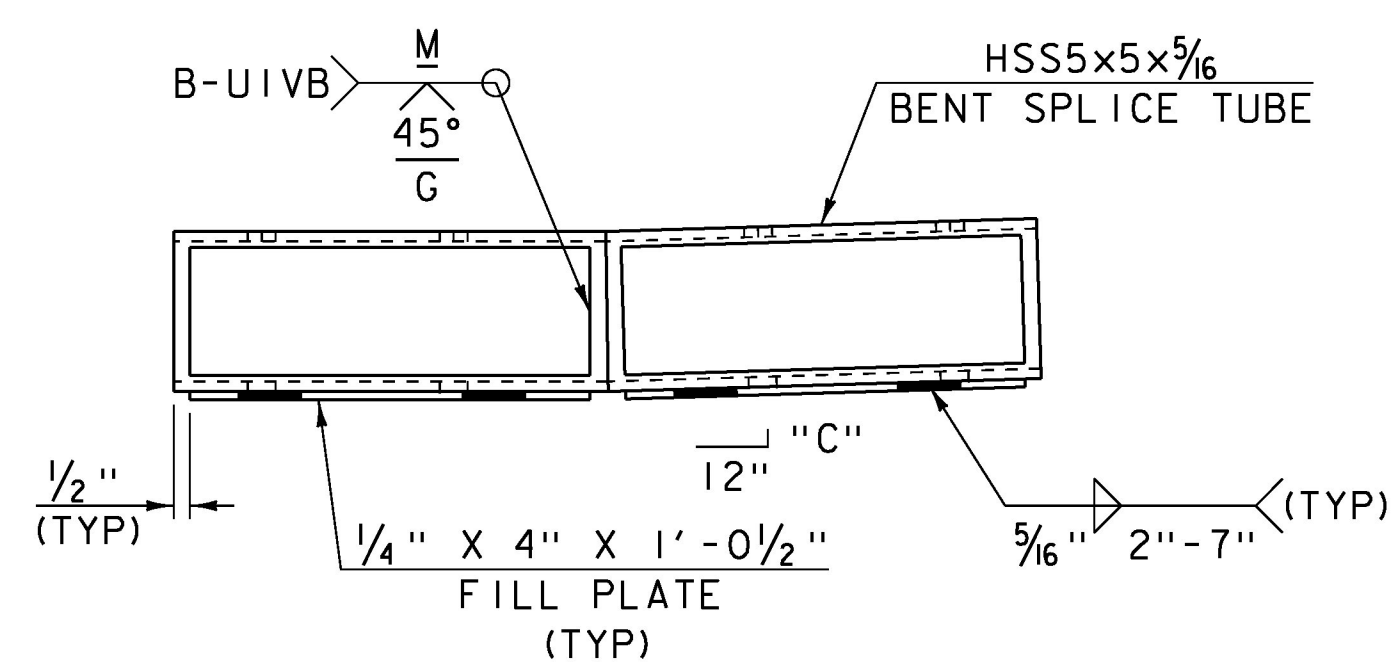


FIXED SPLICE TUBE PLAN
NOT TO SCALE

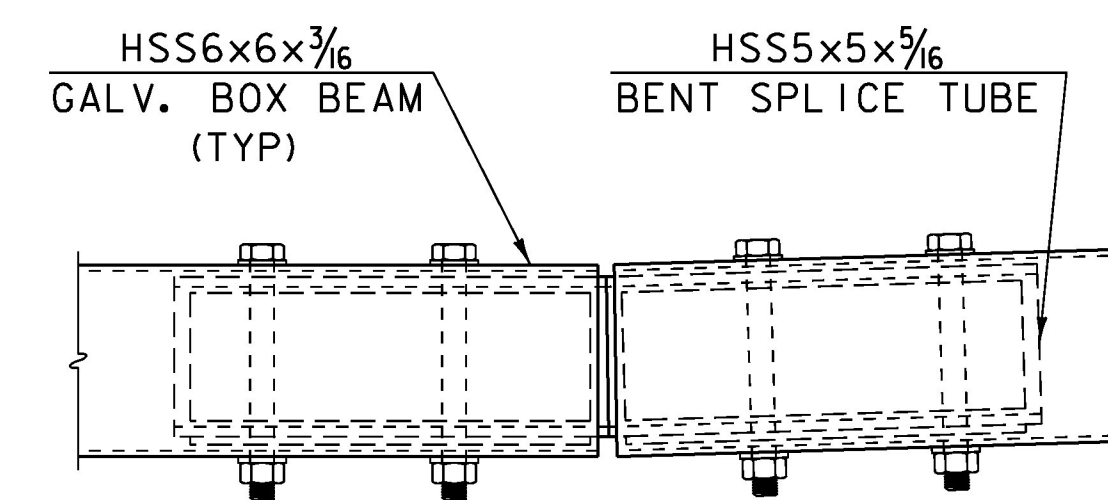


FIXED SPLICE ASSEMBLY PLAN
NOT TO SCALE

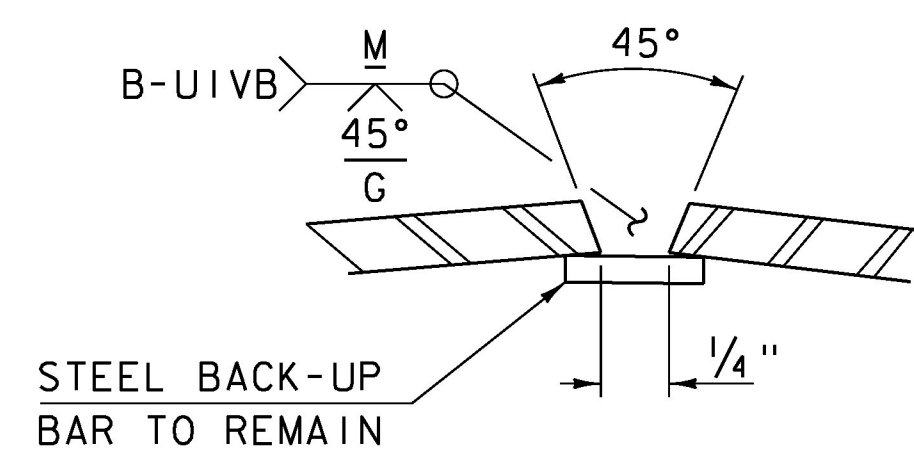
WINGWALL	"C"
1	1/2"
2	3/8"
3	5/16"
4	5/16"



FIXED SPLICE TUBE ELEVATION
NOT TO SCALE



FIXED SPLICE ASSEMBLY ELEVATION
NOT TO SCALE



**WELD DETAIL
FOR SPLICE TUBE**
NOT TO SCALE

PROJECT NAME: RUTLAND CITY	PLOT DATE: 03-JUL-2014
PROJECT NUMBER: BRF 3000 (16)	DRAWN BY: G. ROY
FILE NAME: s94j092rail.dgn	DESIGNED BY: M. EVANS-MONGEON
APPROACH RAIL DETAILS (3)	CHECKED BY: M. EVANS-MONGEON
	SHEET 194 OF 245