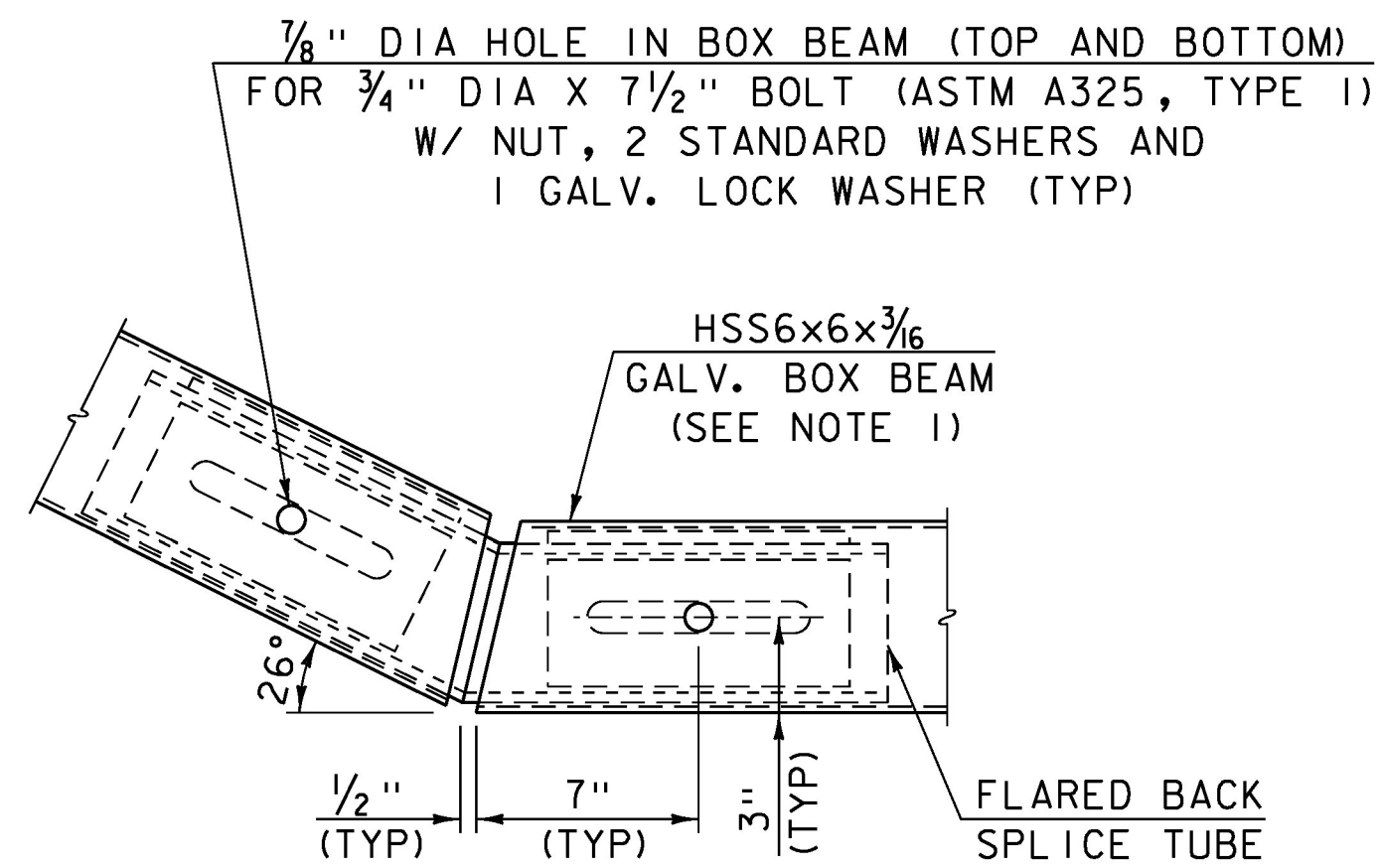
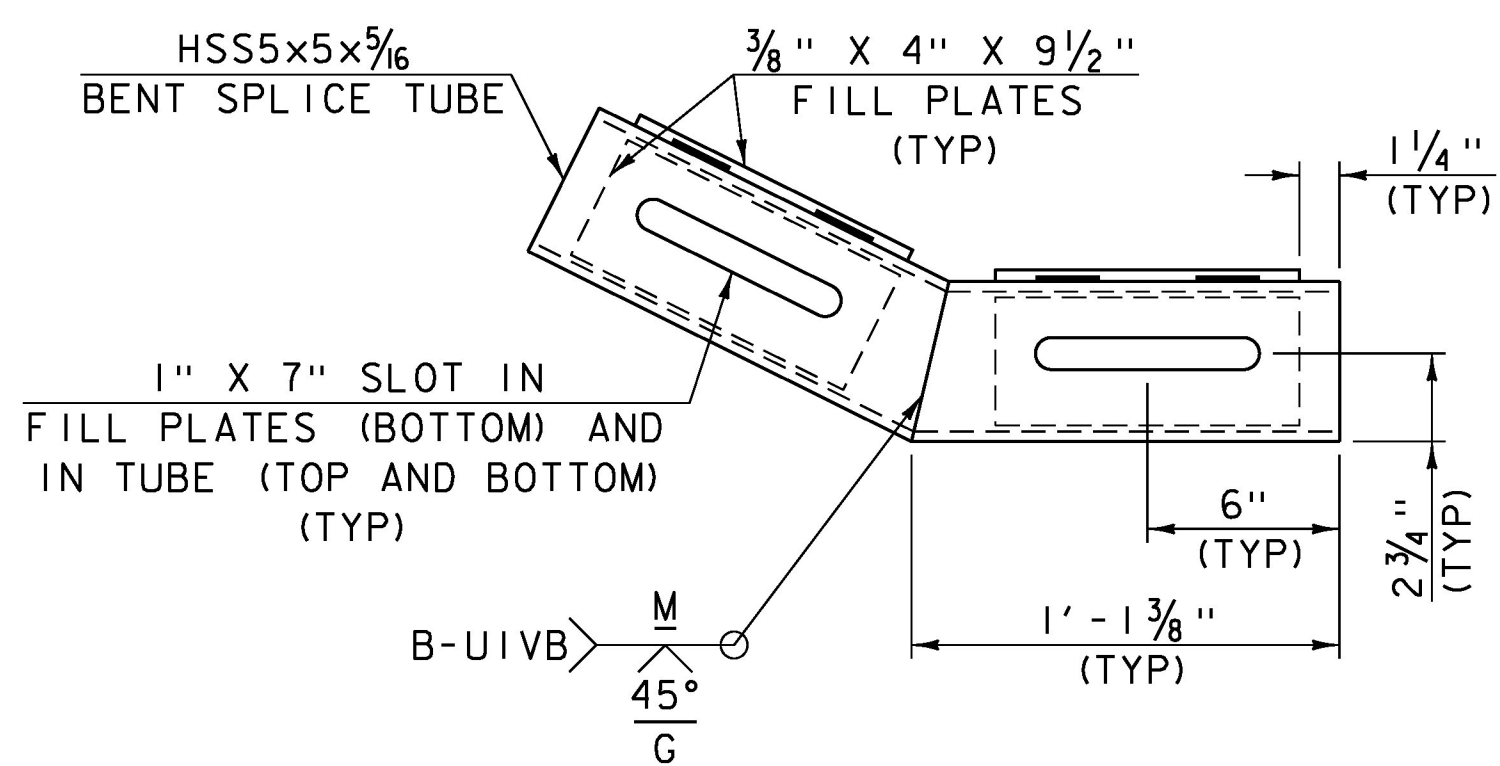


ELEVATION



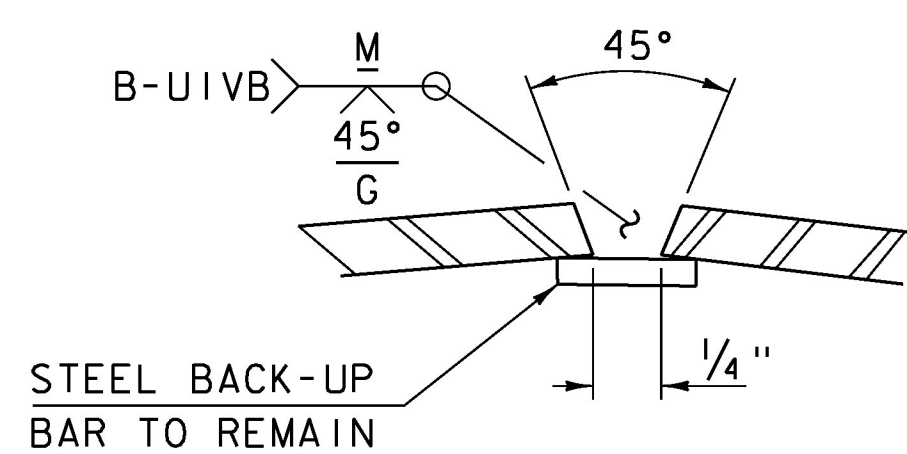
**PLAN BOTTOM RAIL
FLARE BACK DETAIL**

NOT TO SCALE



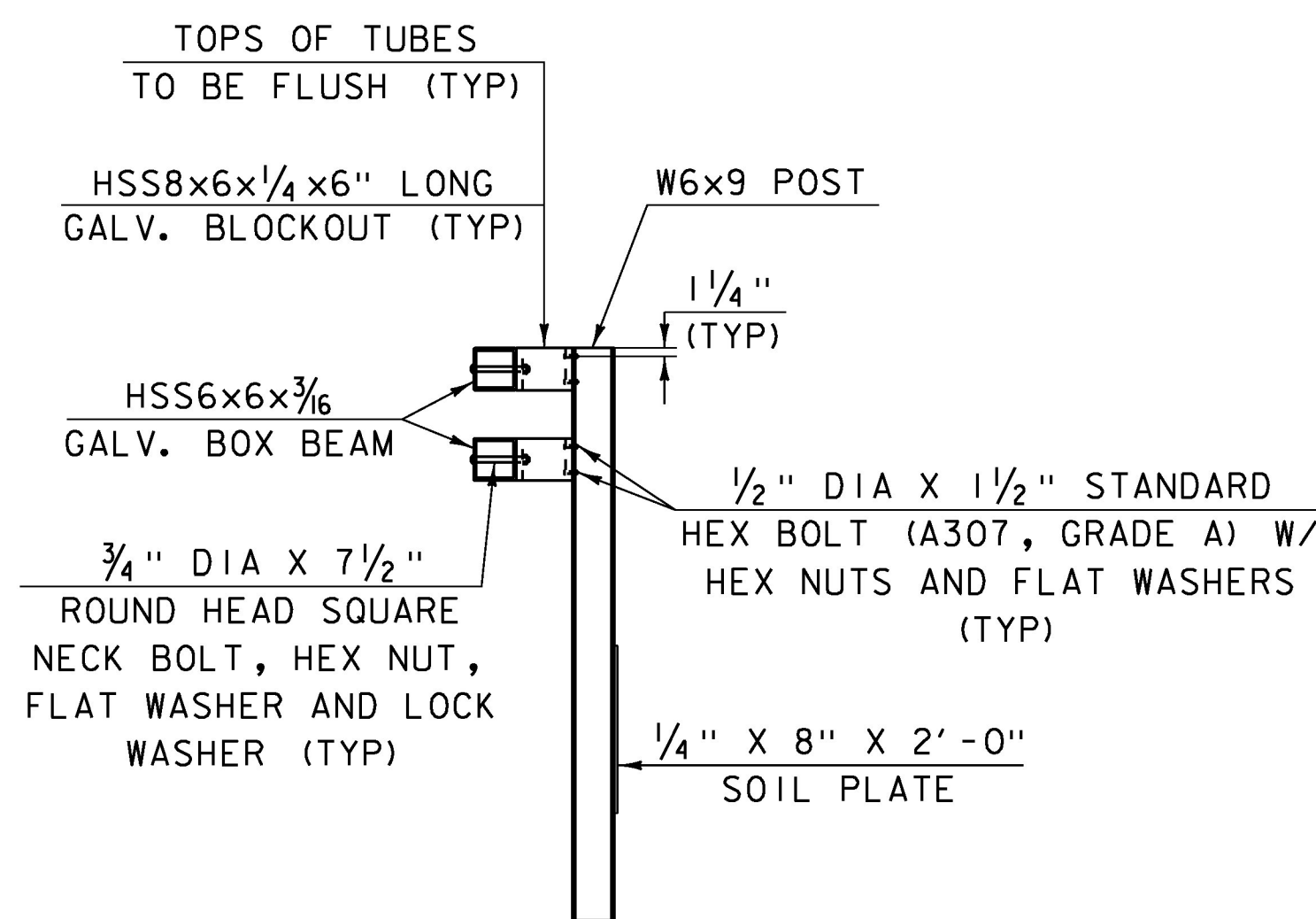
**PLAN
FLARED BACK
SPLICE TUBE DETAIL**

NOT TO SCALE



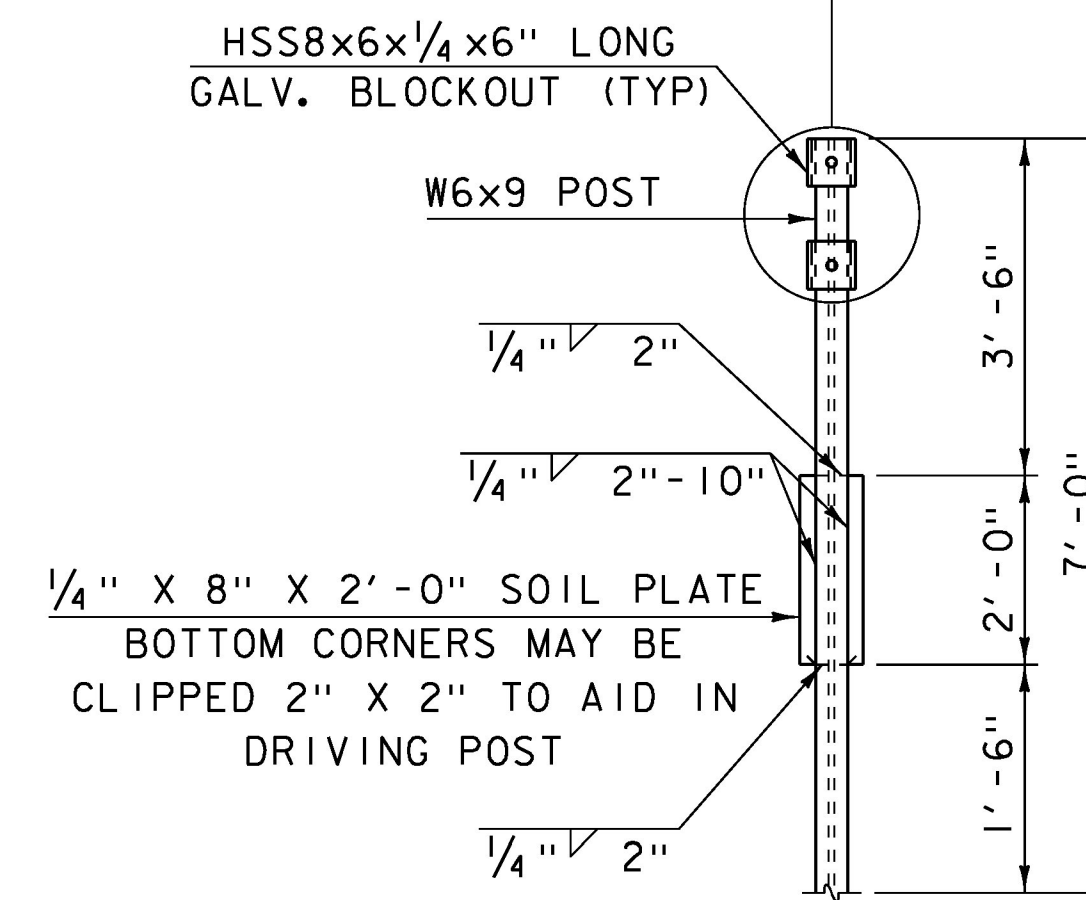
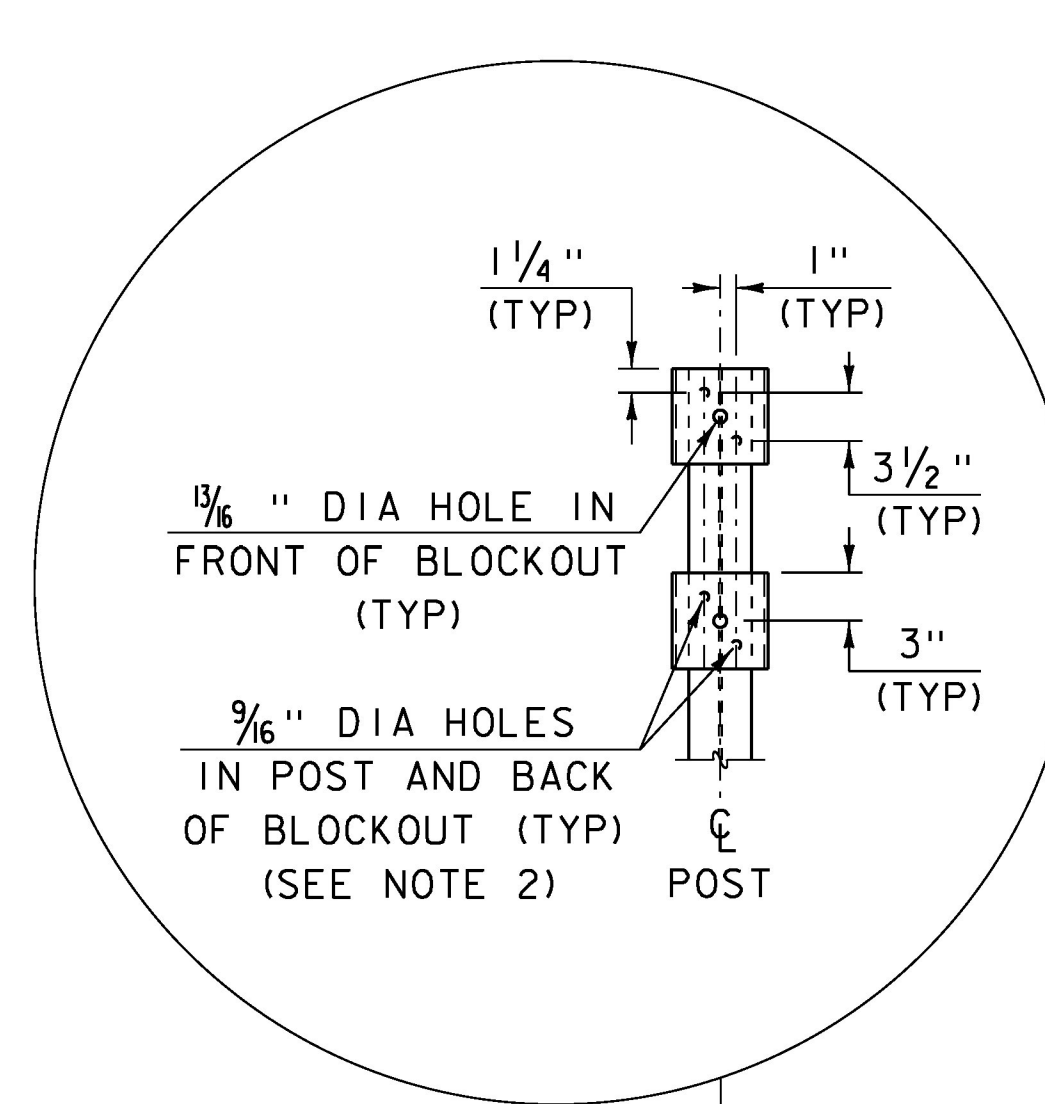
**WELD DETAIL
FOR SPLICE TUBE**

NOT TO SCALE



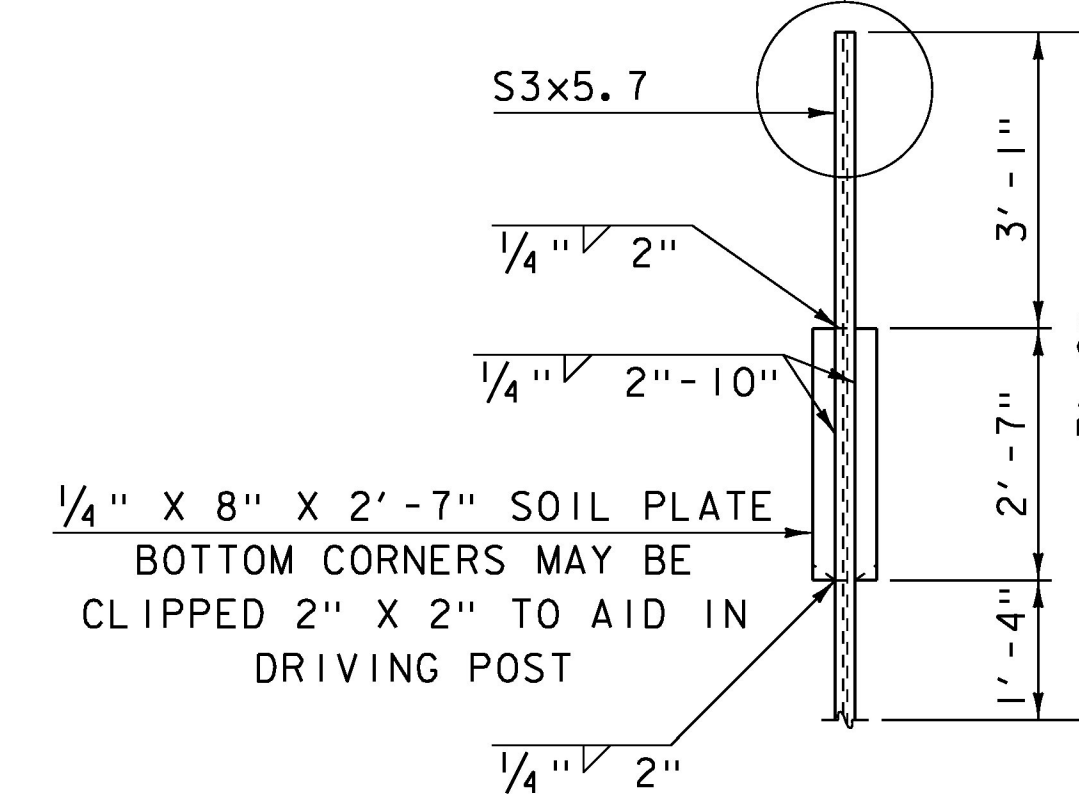
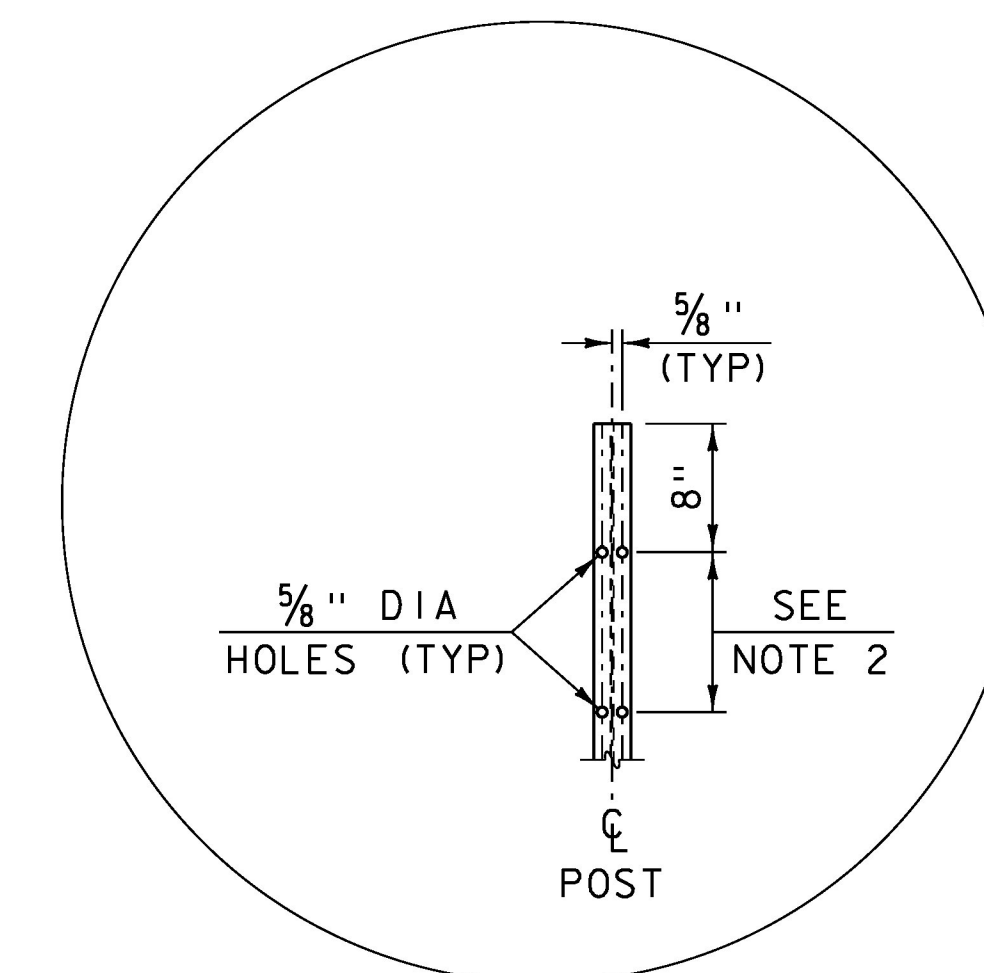
HEAVY POST ELEVATION

NOT TO SCALE



HEAVY POST DETAIL

NOT TO SCALE



TRANSITION POST DETAIL

NOT TO SCALE

NOTES:

- PROTRUSIONS CAUSED BY WELDING OR GALVANIZING ARE NOT PERMITTED ON THE ADJOINING SURFACES OF THE BOX BEAM RAILS, SPLICE TUBES AND FILL PLATES.
- HOLES IN POST FOR LOWER RAIL MAY BE LOCATED AND DRILLED IN THE FIELD. IF SO, GALVANIZING SHALL BE REPAIRED.

PROJECT NAME:	RUTLAND CITY
PROJECT NUMBER:	BRF 3000 (16)
FILE NAME:	s94j092rail.dgn
PROJECT LEADER:	C. CARLSON
DESIGNED BY:	M. EVANS-MONGEON
APPROACH RAIL DETAILS (2)	
PLOT DATE:	03-JUL-2014
DRAWN BY:	G. ROY
CHECKED BY:	M. EVANS-MONGEON
SHEET	193 OF 245