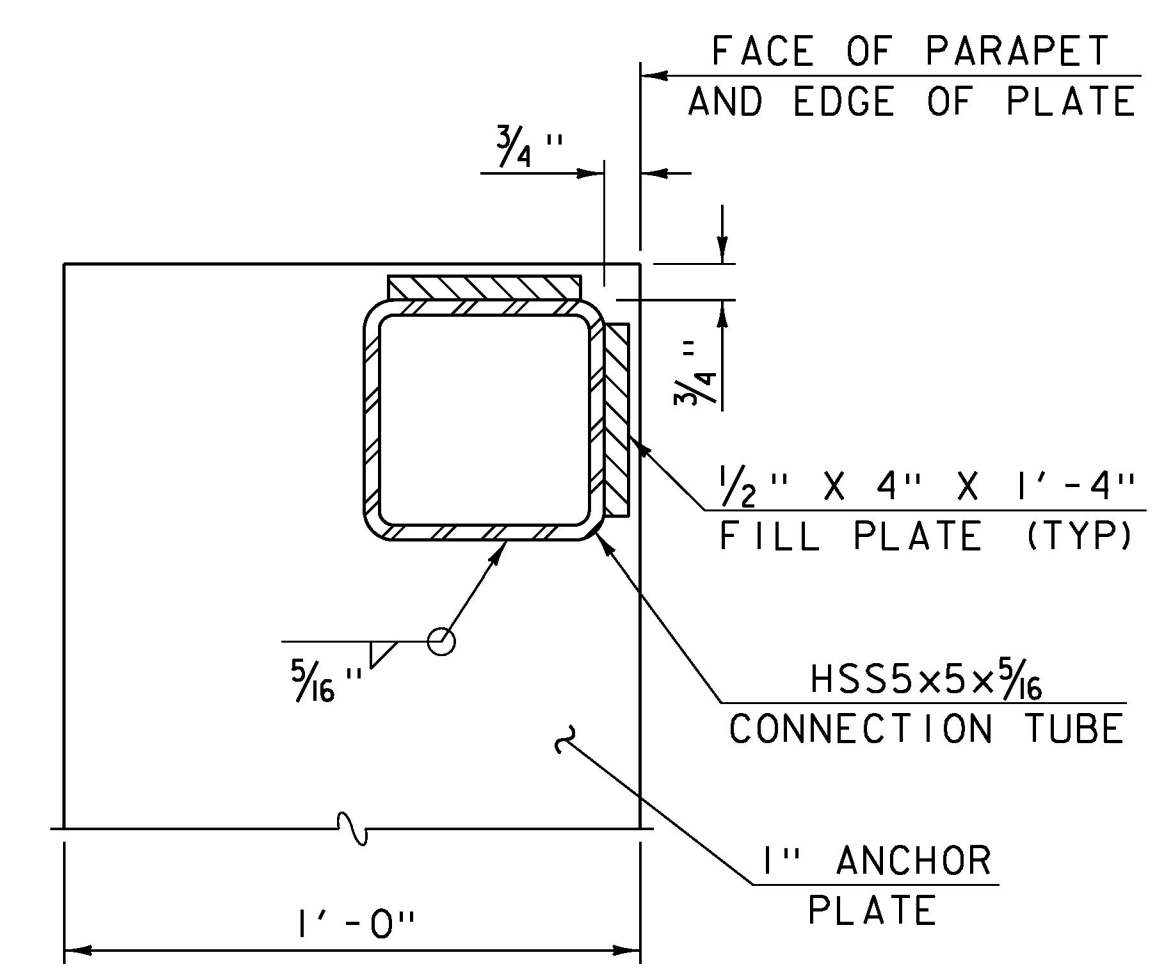
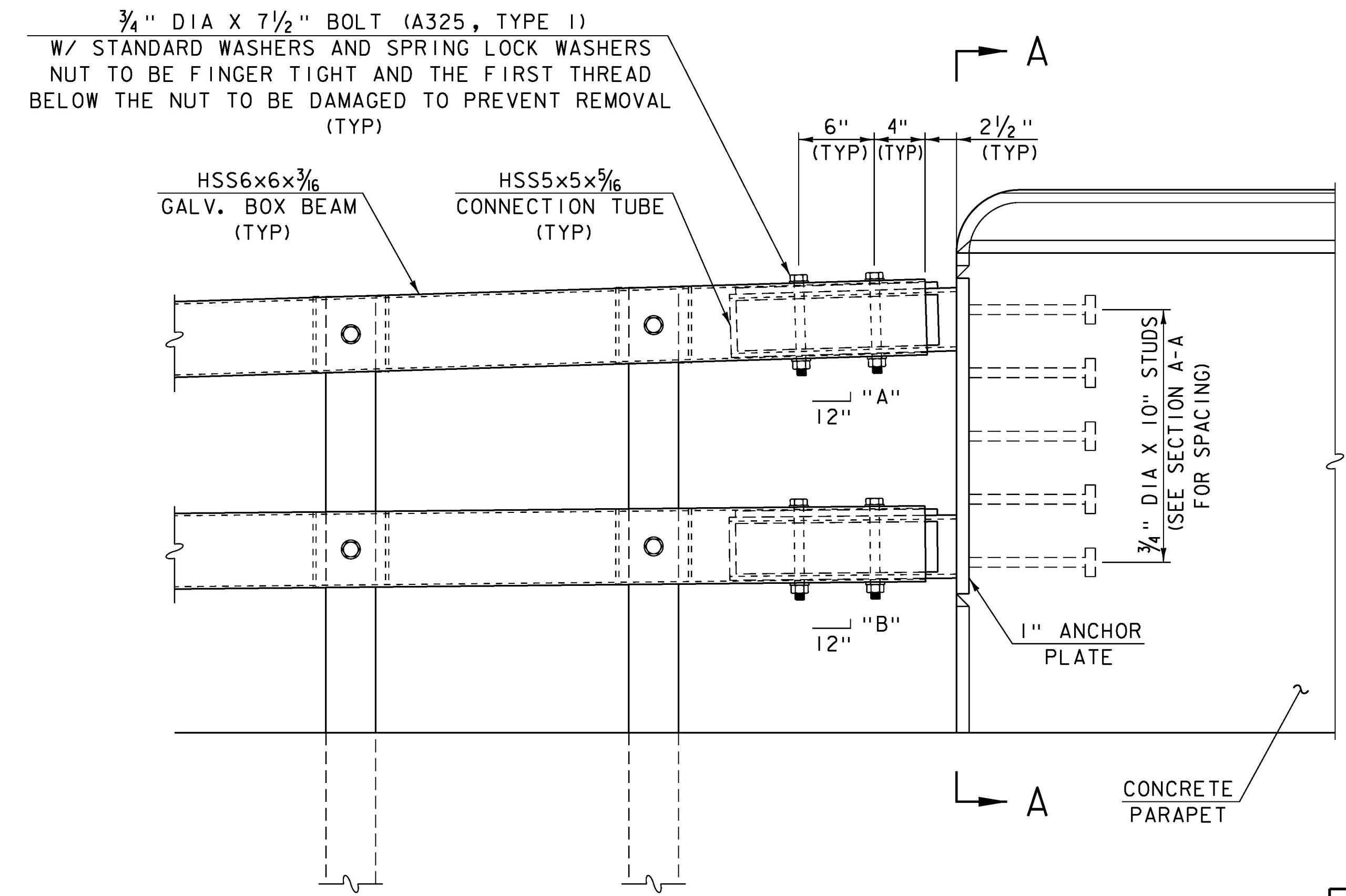


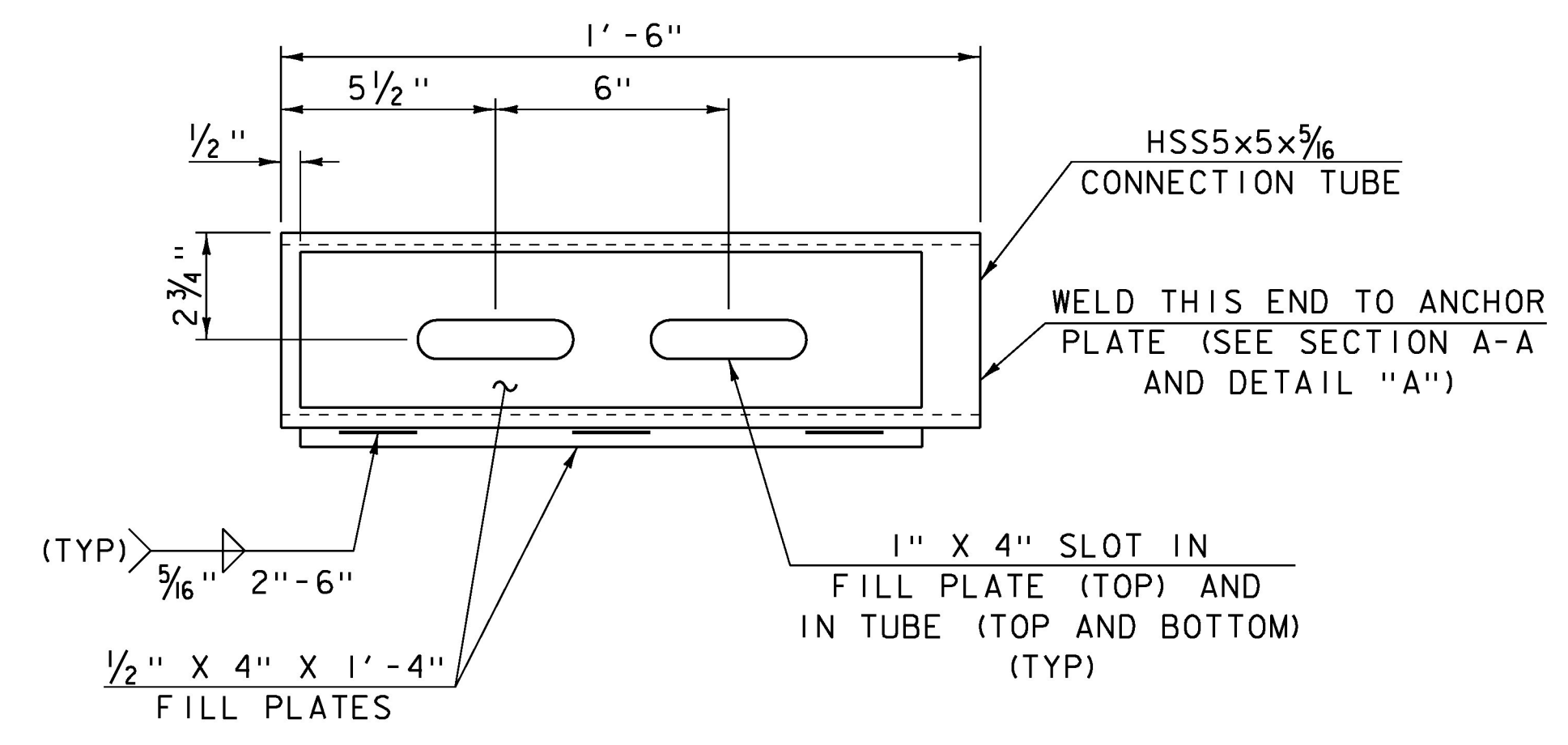
SECTION A-A
NOT TO SCALE



DETAIL "A"
NOT TO SCALE



APPROACH RAIL CONNECTION DETAIL
NOT TO SCALE



CONNECTION TUBE DETAIL PLAN
NOT TO SCALE

WINGWALL	"A"	"B"
1	5/8"	3/8"
2	7/16"	1/4"
3	3/8"	1/8"
4	7/16"	3/16"

PROJECT NAME: RUTLAND CITY
 PROJECT NUMBER: BRF 3000 (16)
 FILE NAME: s94j092rail.dgn PLOT DATE: 03-JUL-2014
 PROJECT LEADER: C. CARLSON DRAWN BY: G. ROY
 DESIGNED BY: M. EVANS-MONGEON CHECKED BY: M. EVANS-MONGEON
 APPROACH RAIL DETAILS (1) SHEET 192 OF 245