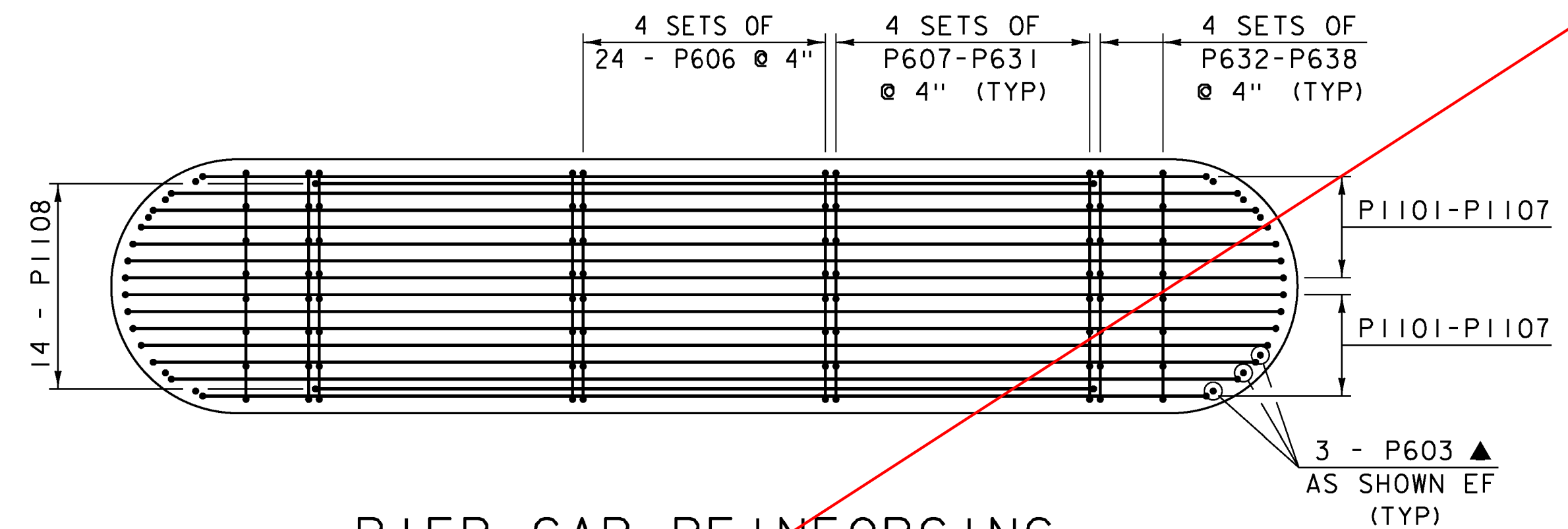


**PIER PLAN**

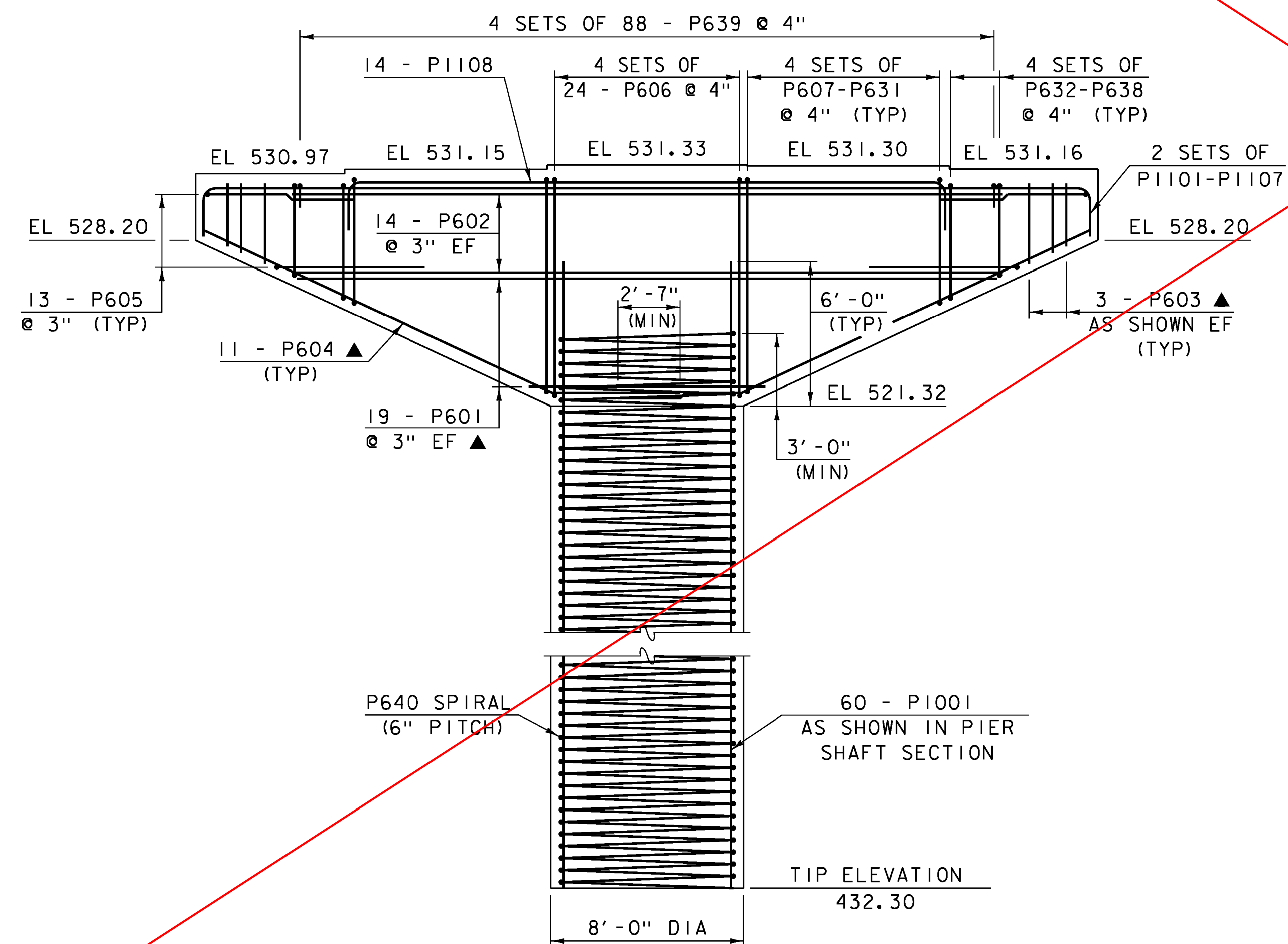
SCALE: 1/4" = 1'-0"

SEE REVISED SHEET 187A



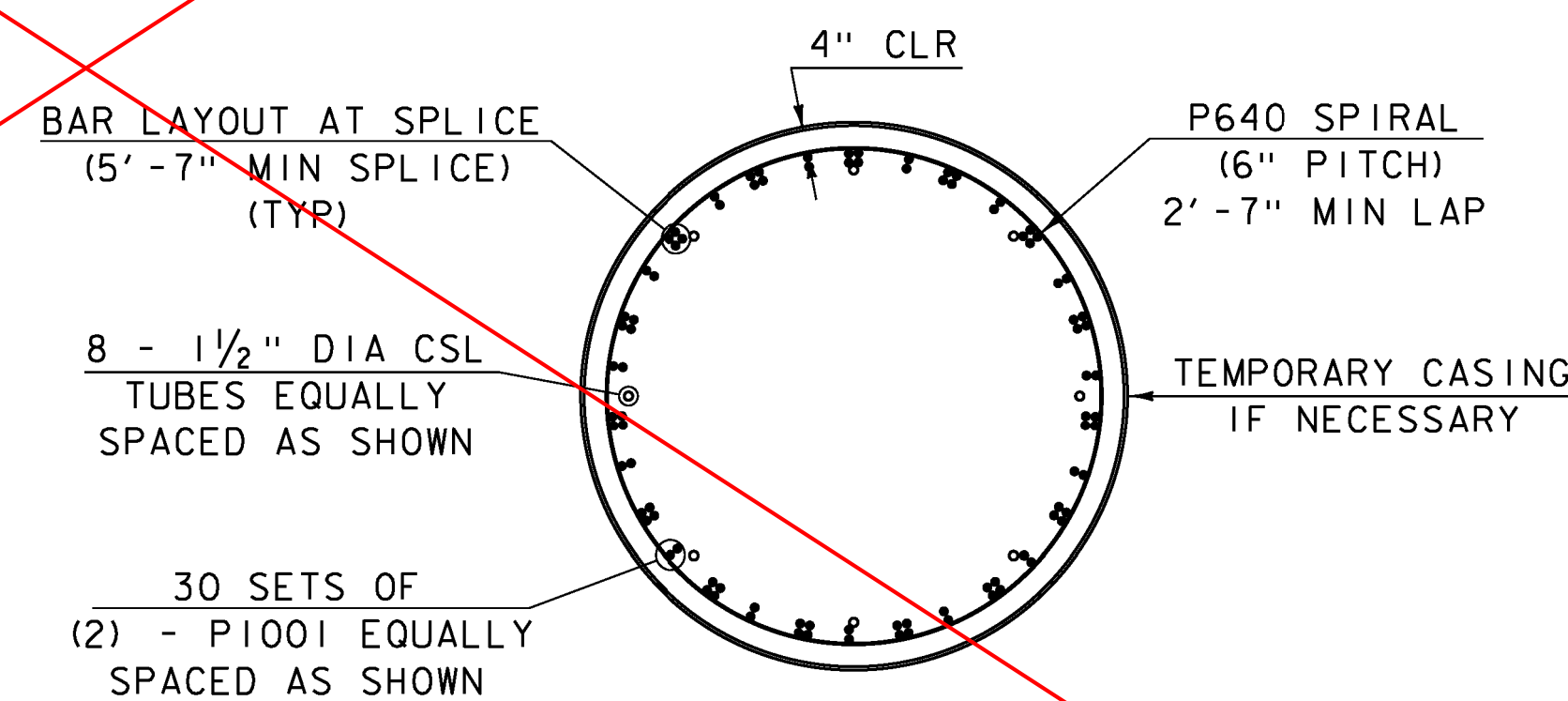
**PIER CAP REINFORCING**

SCALE: 1/4" = 1'-0"



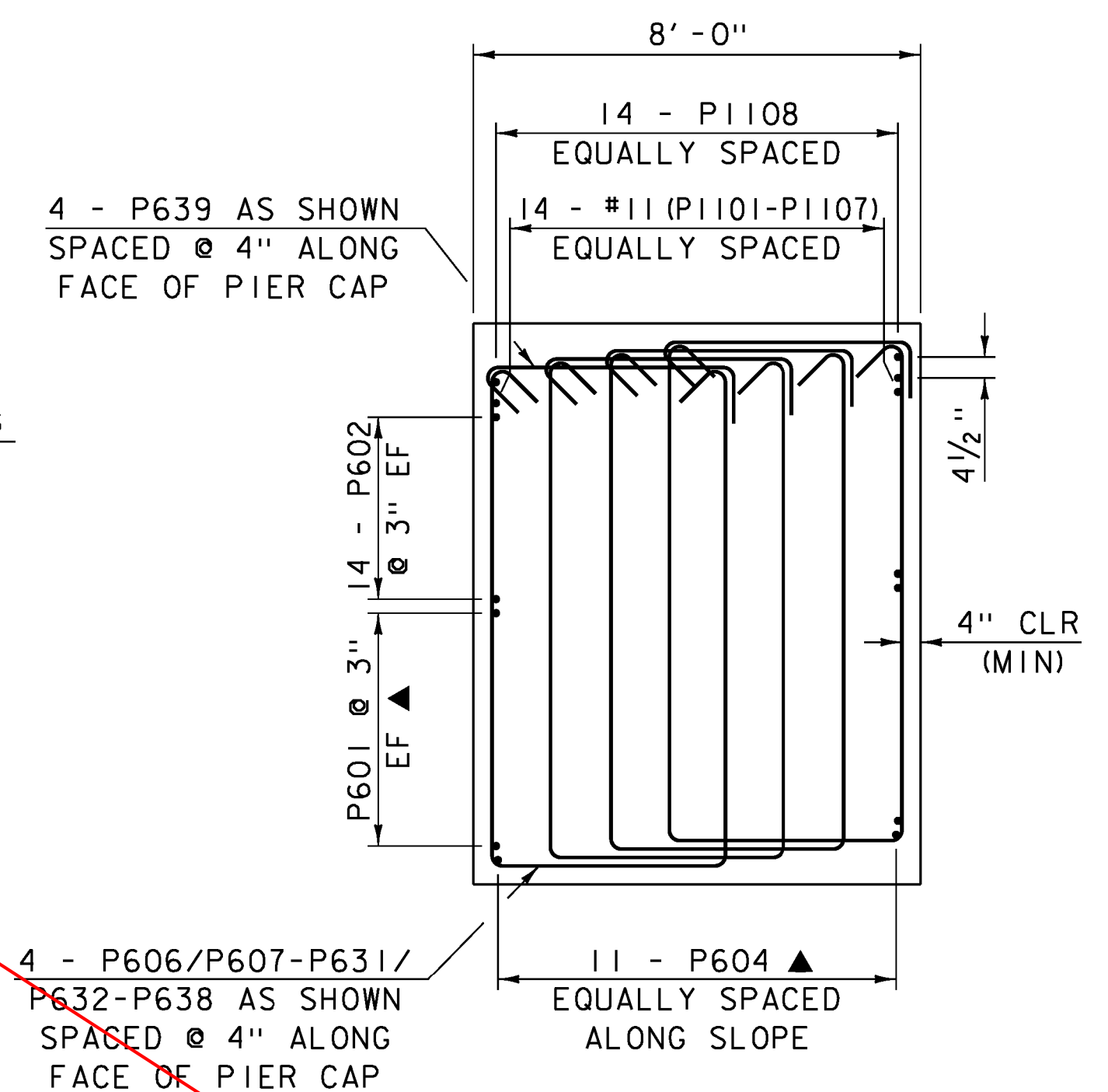
**PIER ELEVATION**

SCALE: 1/4" = 1'-0"



**PIER SHAFT SECTION**

SCALE: 3/8" = 1'-0"



**PIER CAP SECTION**

SCALE: 3/8" = 1'-0"

**NOTE:**

- NF = NEAR FACE
- FF = FAR FACE
- EF = EACH FACE
- ▲ = CUT TO FIT IN FIELD
- 3" CLR. UNLESS OTHERWISE NOTED
- 2'-2" BAR LAP UNLESS OTHERWISE NOTED

PROJECT NAME:	RUTLAND CITY	PLOT DATE:	03-JUL-2014
PROJECT NUMBER:	BRF 3000 (16)	DRAWN BY:	G. ROY
FILE NAME:	s94J092sub.dgn	DESIGNED BY:	M. EVANS-MONGEON
PROJECT LEADER:	C. CARLSON	CHECKED BY:	M. EVANS-MONGEON
PIER DETAILS		SHEET	187 OF 245