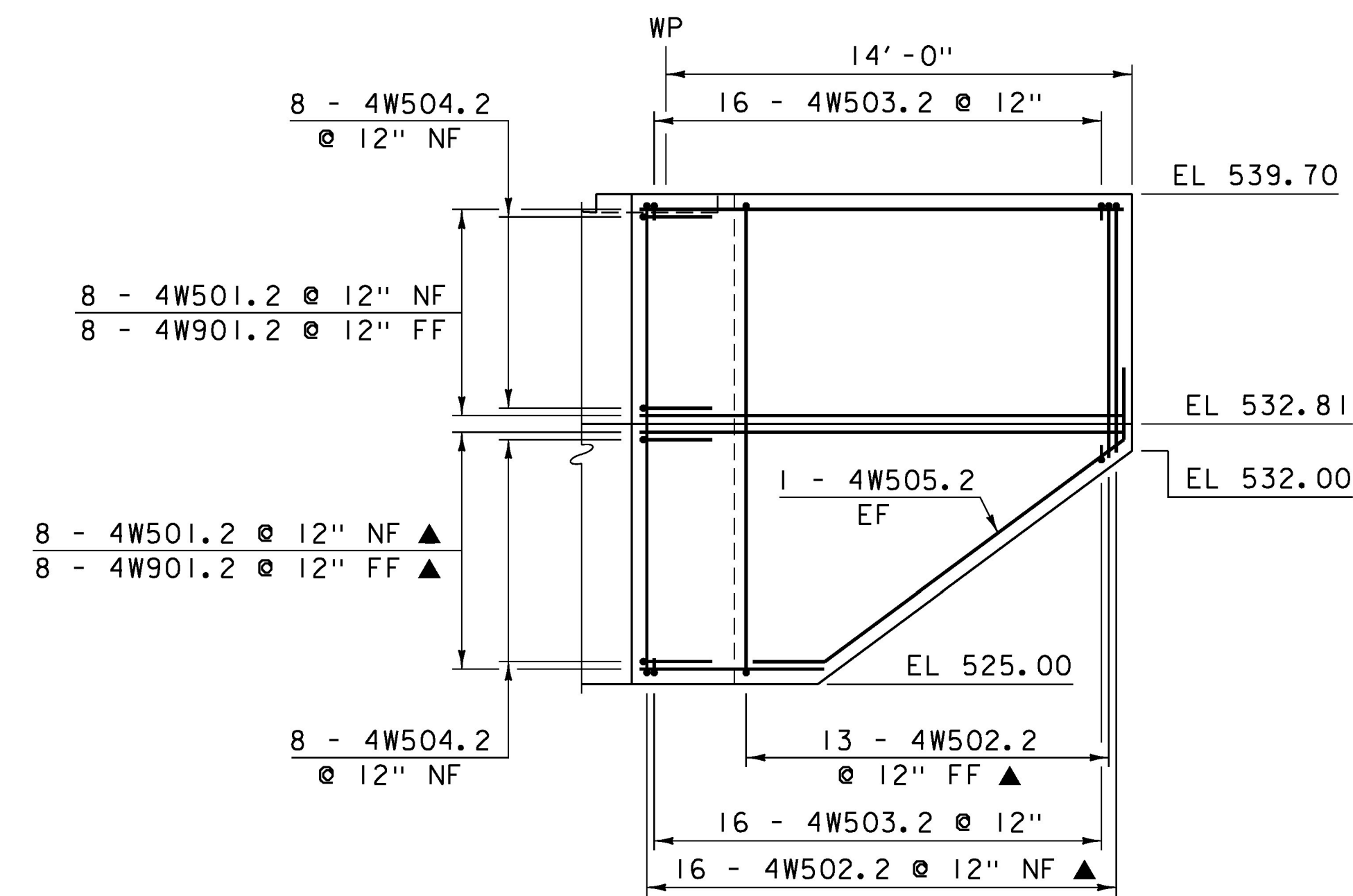
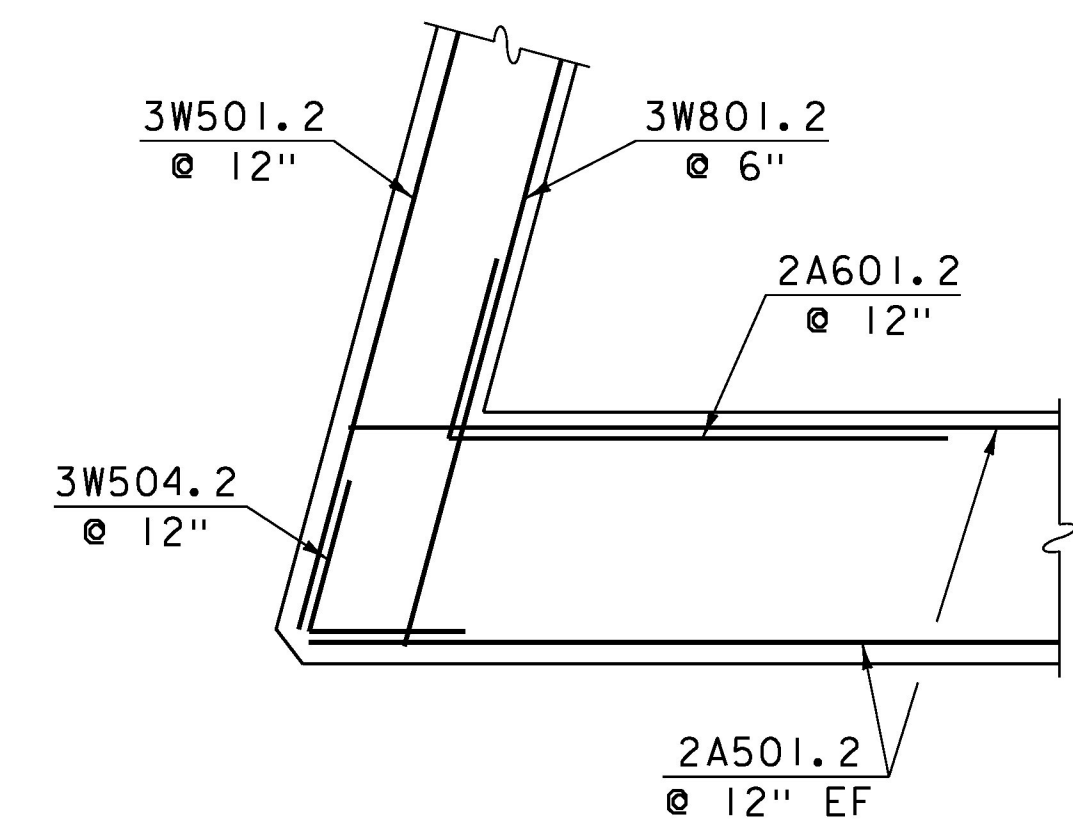


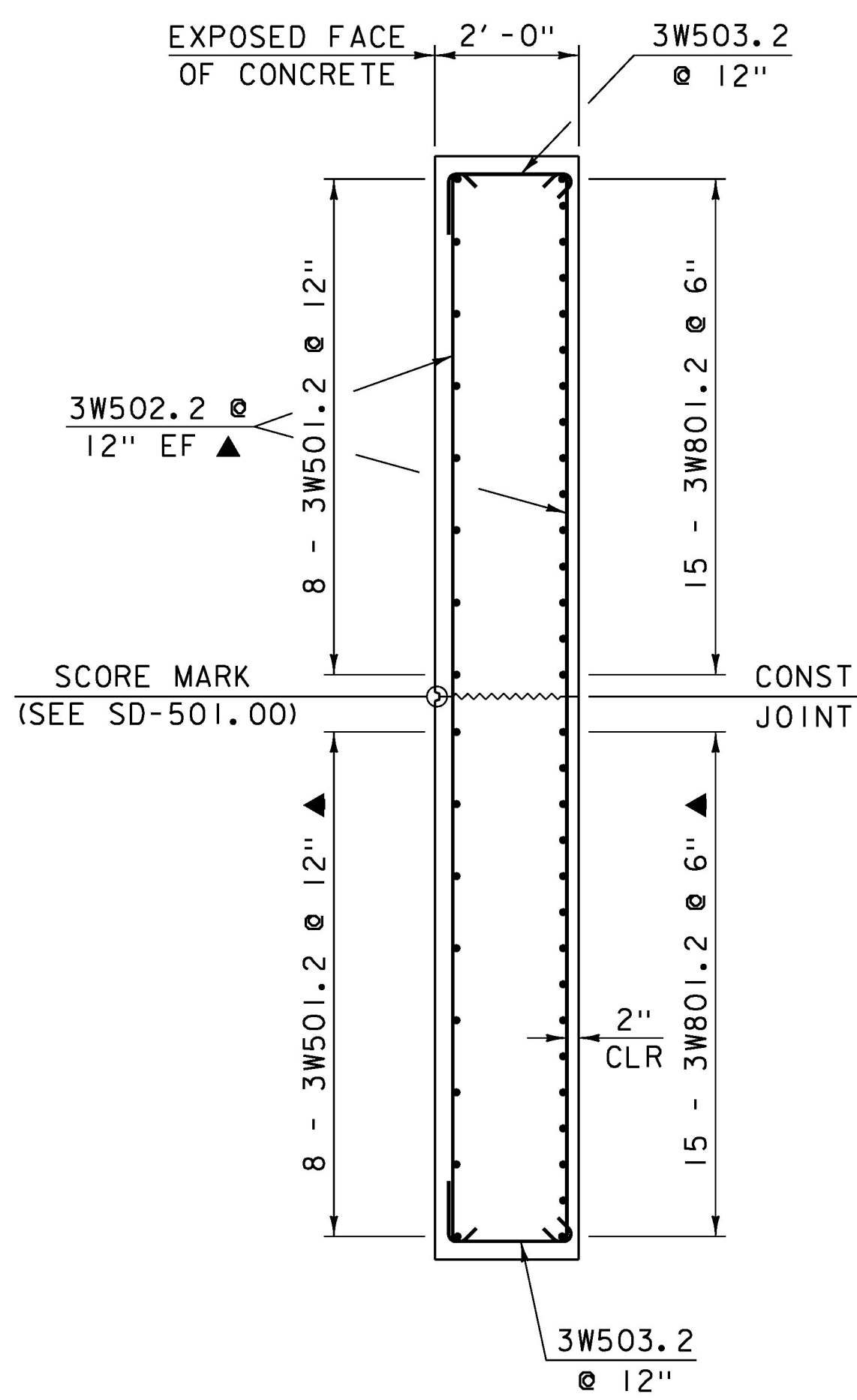
**WINGWALL NO.3 ELEVATION**  
SCALE: 1/4" = 1'-0"



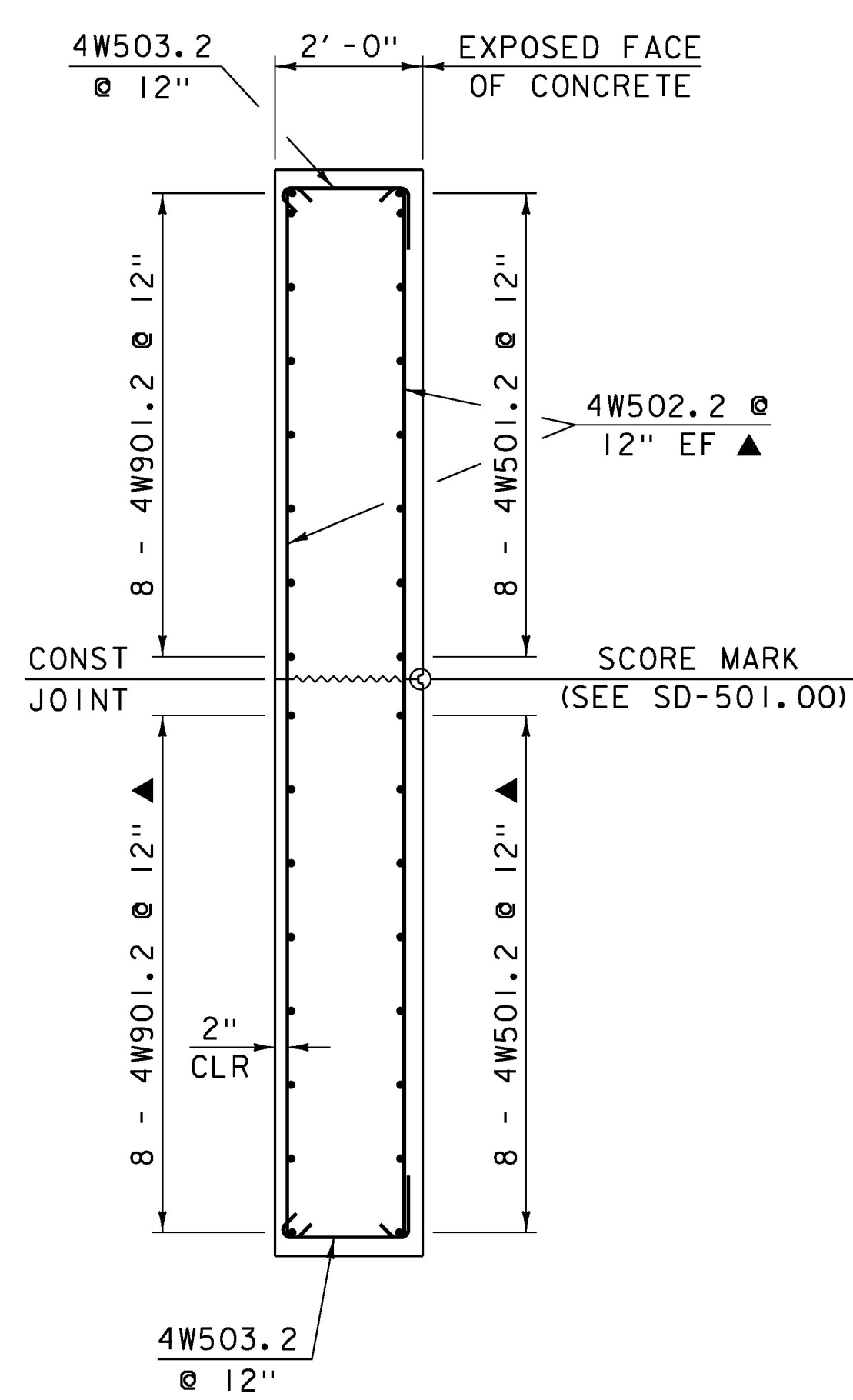
**WINGWALL NO.4 ELEVATION**  
SCALE: 1/4" = 1'-0"



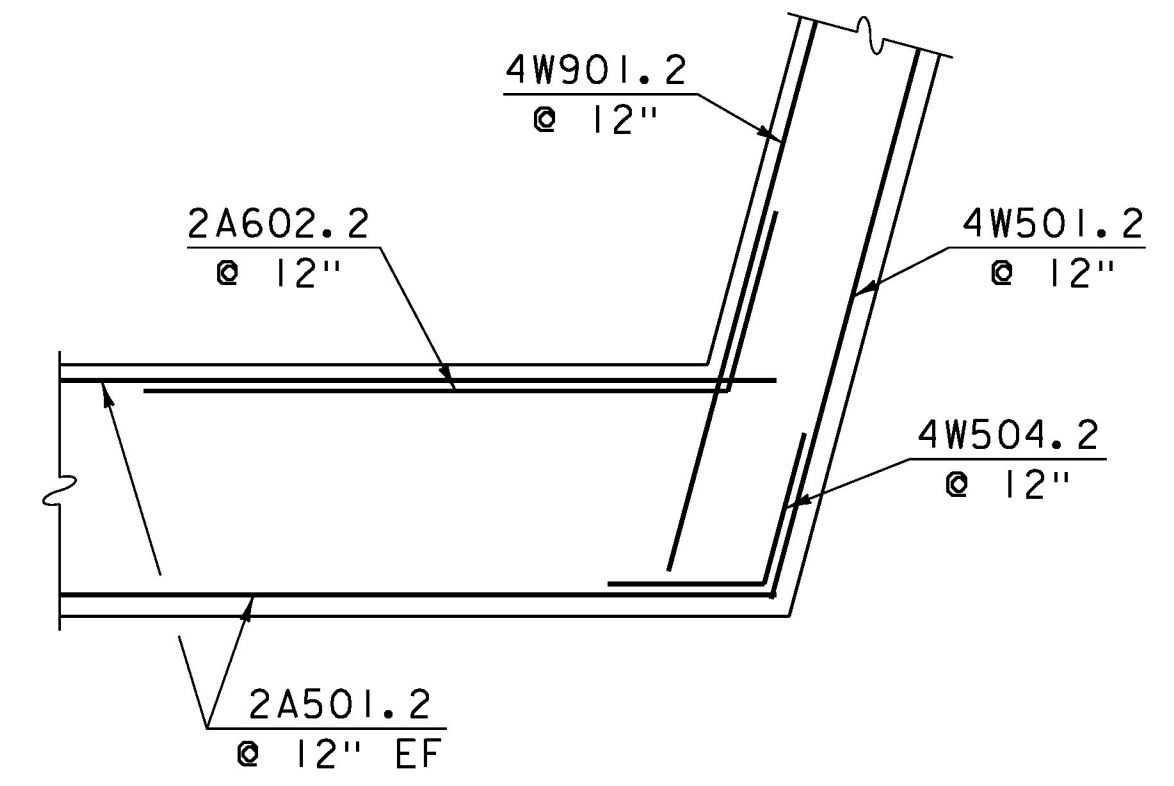
**WINGWALL NO.3  
CORNER REINFORCING**  
SCALE: 3/8" = 1'-0"



**WINGWALL NO.3 TYPICAL SECTION**  
SCALE: 1/2" = 1'-0"



**WINGWALL NO.4 TYPICAL SECTION**  
SCALE: 1/2" = 1'-0"



**WINGWALL NO.4  
CORNER REINFORCING**  
SCALE: 3/8" = 1'-0"

**NOTE:**  
NF = NEAR FACE  
FF = FAR FACE  
EF = EACH FACE  
▲ = CUT TO FIT IN FIELD  
3" CLR. UNLESS OTHERWISE NOTED  
2'-2" BAR LAP UNLESS OTHERWISE NOTED

PROJECT NAME:	RUTLAND CITY
PROJECT NUMBER:	BRF 3000 (16)
FILE NAME:	s94j092sub.dgn
PROJECT LEADER:	C. CARLSON
DESIGNED BY:	M. EVANS-MONGEON
WINGWALLS NO. 3 AND 4 DETAILS	
PLOT DATE:	03-JUL-2014
DRAWN BY:	G. ROY
CHECKED BY:	M. EVANS-MONGEON
SHEET	185 OF 245