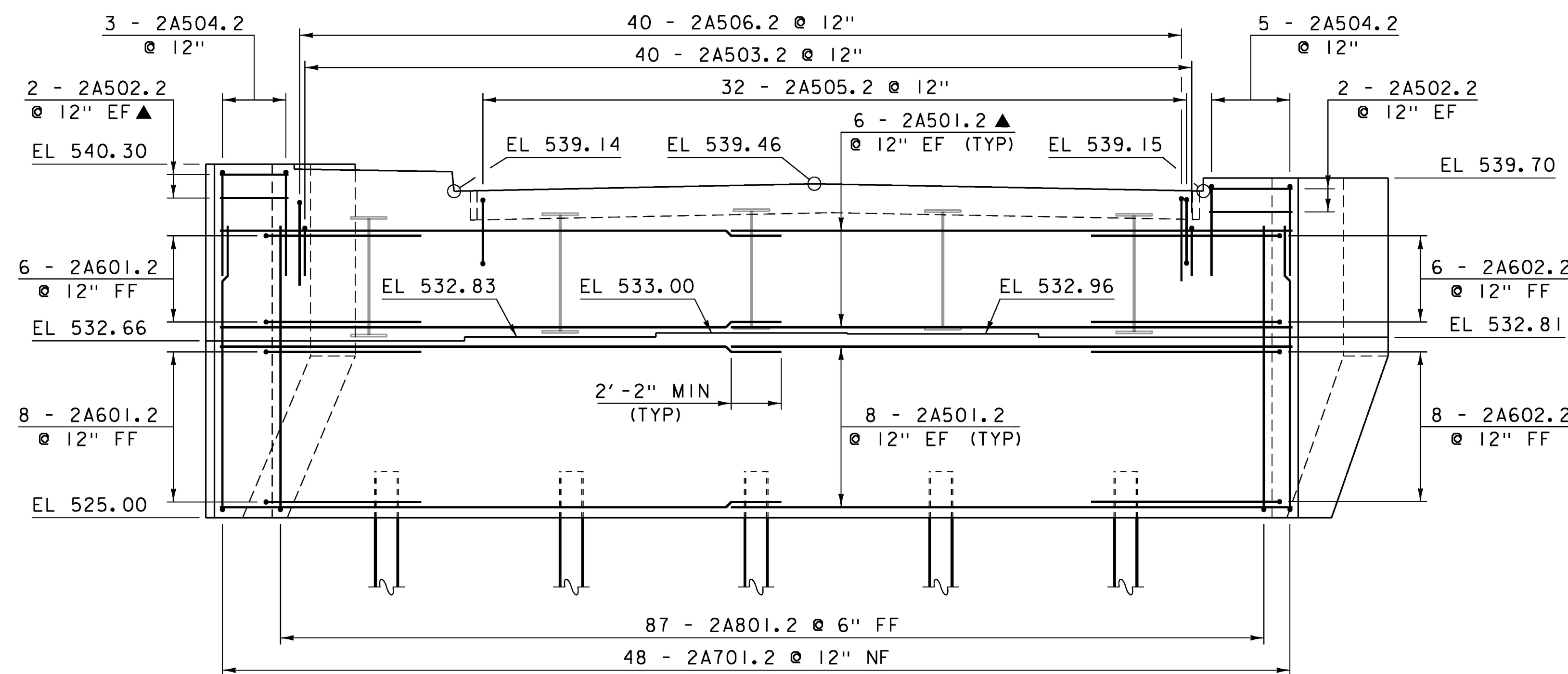
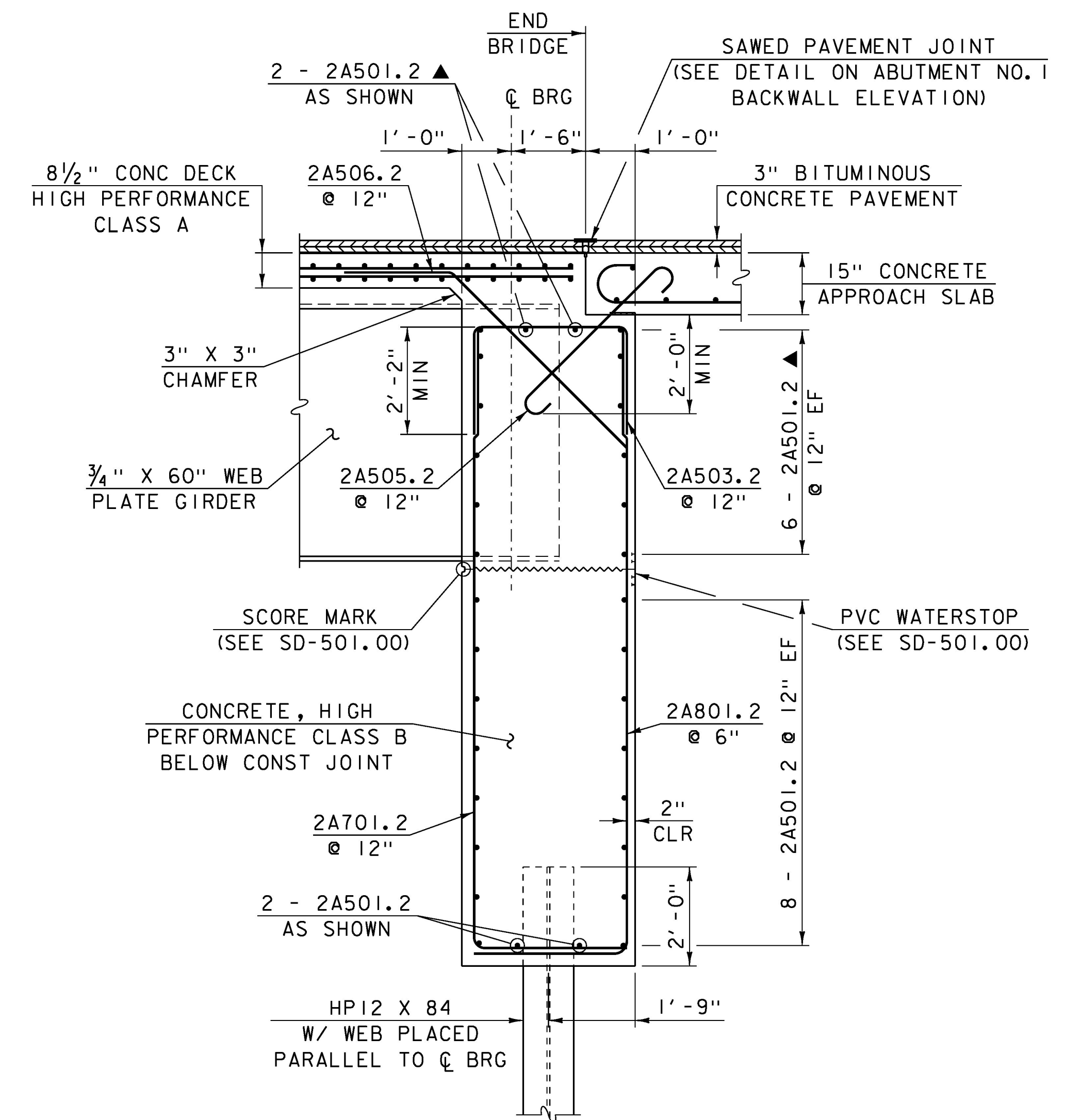


ABUTMENT NO. 2 PLAN
SCALE: 1/4" = 1'-0"



ABUTMENT NO. 2 ELEVATION
SCALE: 1/4" = 1'-0"



ABUTMENT NO. 2 TYPICAL SECTION
SCALE: 1/2" = 1'-0"

NOTE:

- NF = NEAR FACE
- FF = FAR FACE
- EF = EACH FACE
- ▲ = CUT TO FIT IN FIELD
- 3" CLR. UNLESS OTHERWISE NOTED
- 2'-2" BAR LAP UNLESS OTHERWISE NOTED

PROJECT NAME: RUTLAND CITY	PLOT DATE: 03-JUL-2014
PROJECT NUMBER: BRF 3000 (16)	DRAWN BY: G. ROY
FILE NAME: s94j092sub.dgn	CHECKED BY: M. EVANS-MONGEON
PROJECT LEADER: C. CARLSON	SHEET 184 OF 245
DESIGNED BY: M. EVANS-MONGEON	
ABUTMENT NO. 2 DETAILS	