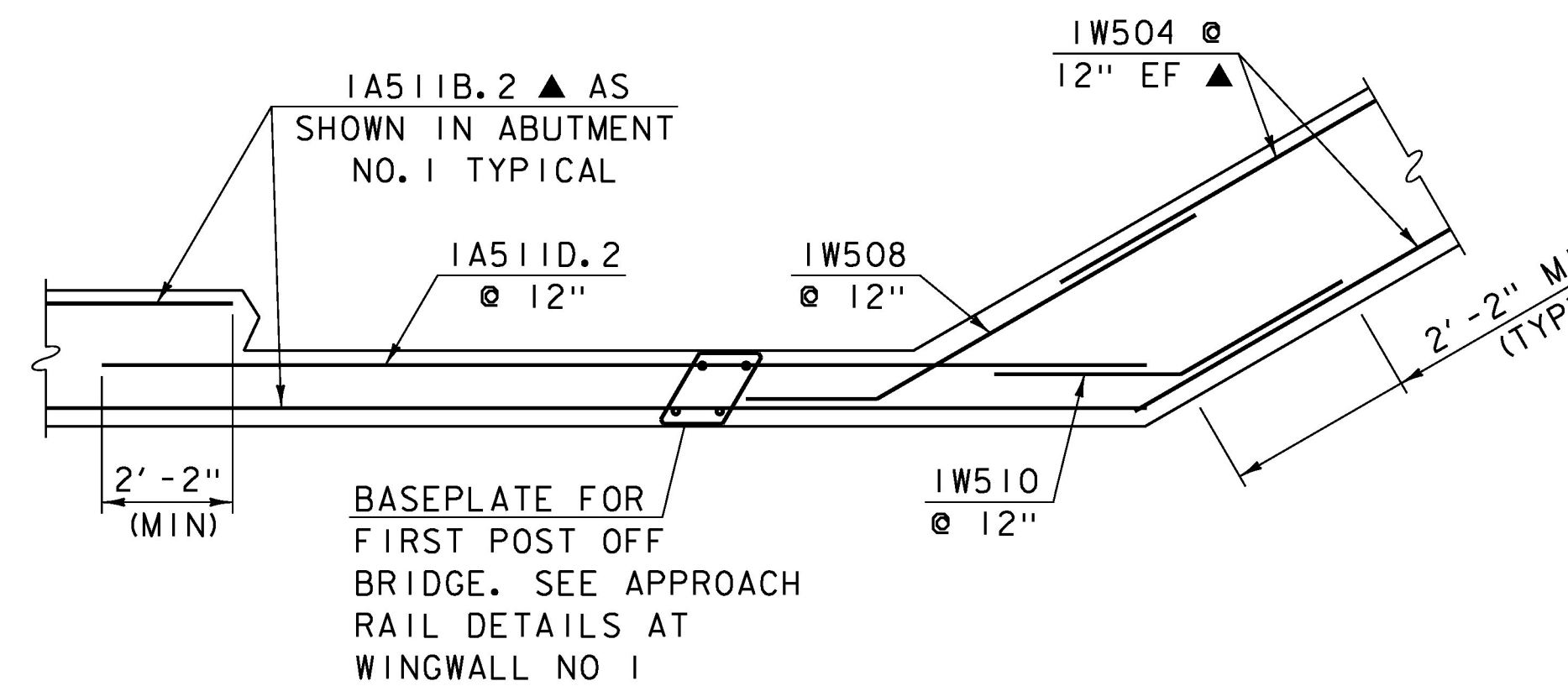


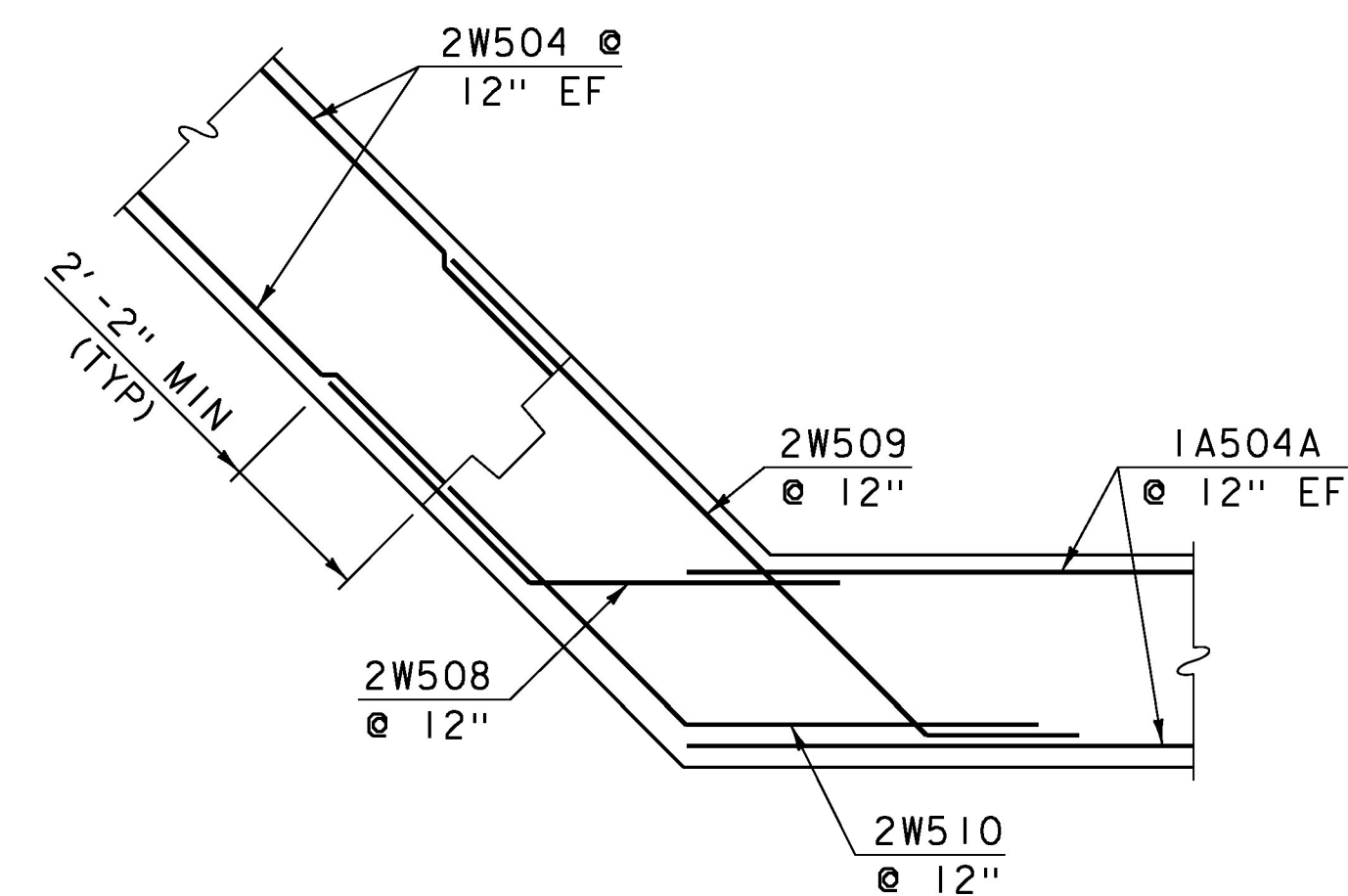
**WINGWALL NO. 2 CORNER
REINFORCING ABOVE BRIDGE SEAT**

SCALE: 3/8" = 1'-0"



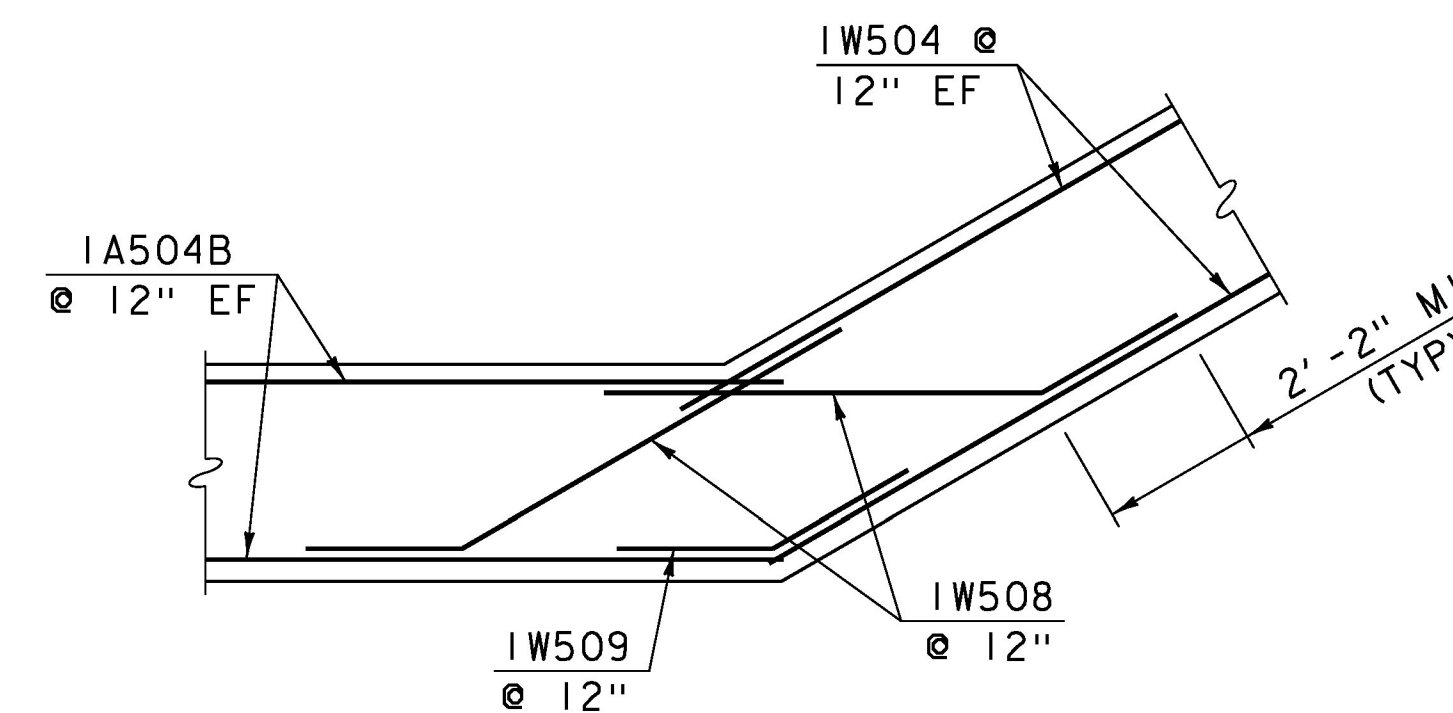
**WINGWALL NO. 1 CORNER
REINFORCING ABOVE BRIDGE SEAT**

SCALE: 3/8" = 1'-0"



**WINGWALL NO. 2 CORNER
REINFORCING BELOW BRIDGE SEAT**

SCALE: 3/8" = 1'-0"



**WINGWALL NO. 1 CORNER
REINFORCING BELOW BRIDGE SEAT**

SCALE: 3/8" = 1'-0"

NOTE:

- NF = NEAR FACE
- FF = FAR FACE
- EF = EACH FACE
- ▲ = CUT TO FIT IN FIELD
- 3" CLR. UNLESS OTHERWISE NOTED
- 2'-2" BAR LAP UNLESS OTHERWISE NOTED

PROJECT NAME:	RUTLAND CITY
PROJECT NUMBER:	BRF 3000 (16)
FILE NAME:	s94j092sub.dgn
PROJECT LEADER:	C. CARLSON
DESIGNED BY:	M. EVANS-MONGEON
ABUTMENT NO. 1 CORNER REINFORCING DETAILS	SHEET 182 OF 245
PLOT DATE:	03-JUL-2014
DRAWN BY:	G. ROY
CHECKED BY:	M. EVANS-MONGEON