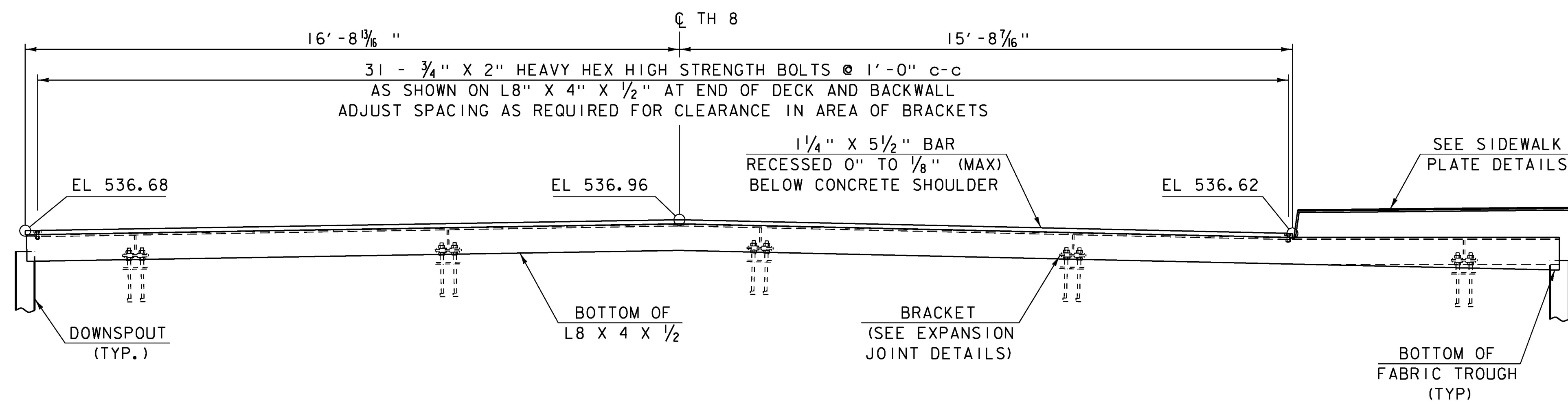


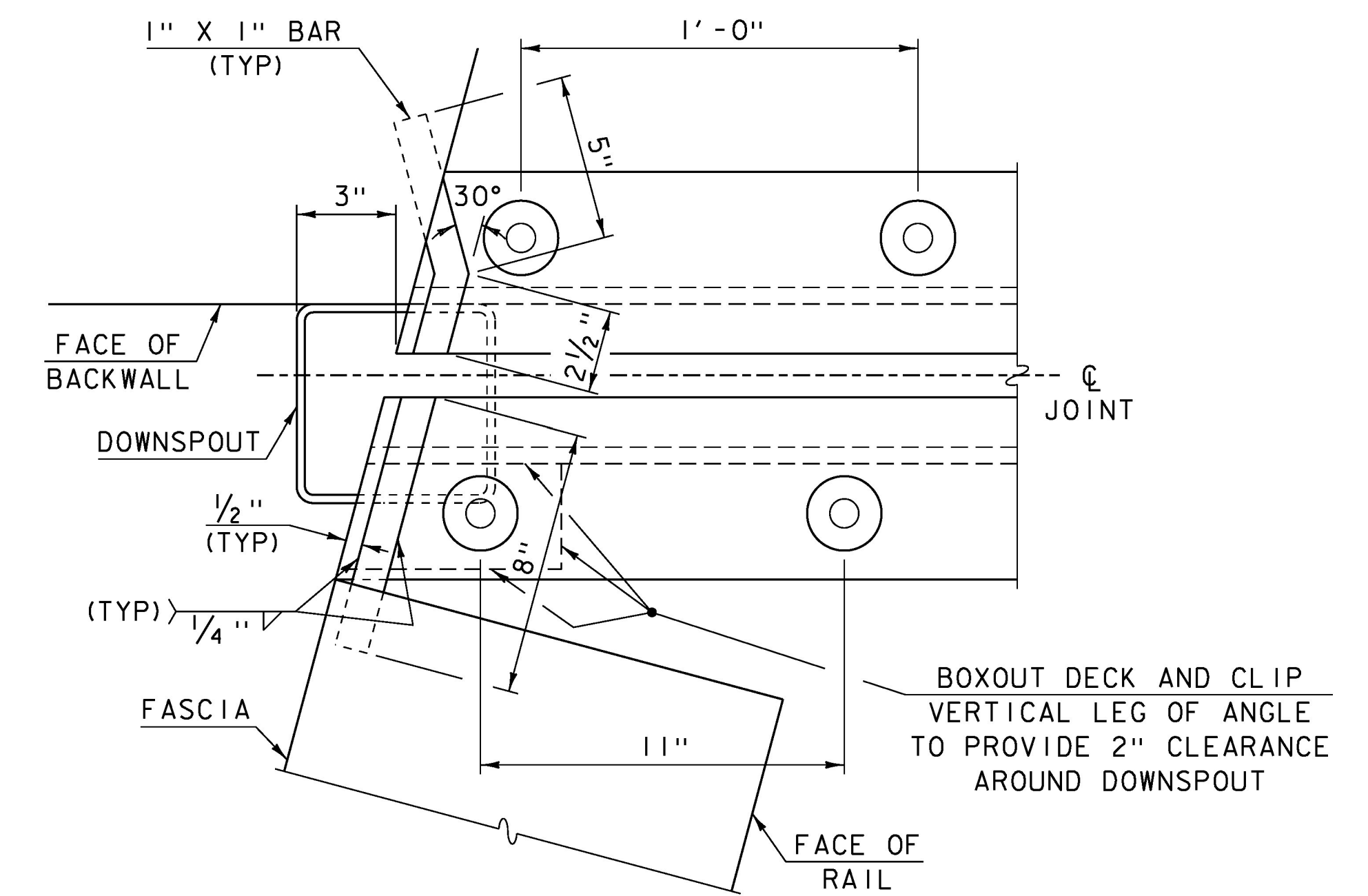
**BRIDGE EXPANSION JOINT PLAN  
AT ABUTMENT NO 1**

SCALE: 1/2" = 1'-0"



**SECTION A-A**

SCALE: 1/2" = 1'-0"



**DETAIL "A"**

SCALE: 3" = 1'-0"

PROJECT NAME: RUTLAND CITY	PLOT DATE: 03-JUL-2014
PROJECT NUMBER: BRF 3000 (16)	DRAWN BY: G. ROY
FILE NAME: s94j092expj+.dgn	DESIGNED BY: M. EVANS-MONGEON
PROJECT LEADER: C. CARLSON	CHECKED BY: M. EVANS-MONGEON
EXPANSION JOINT PLAN AND ELEVATION	SHEET 168 OF 245