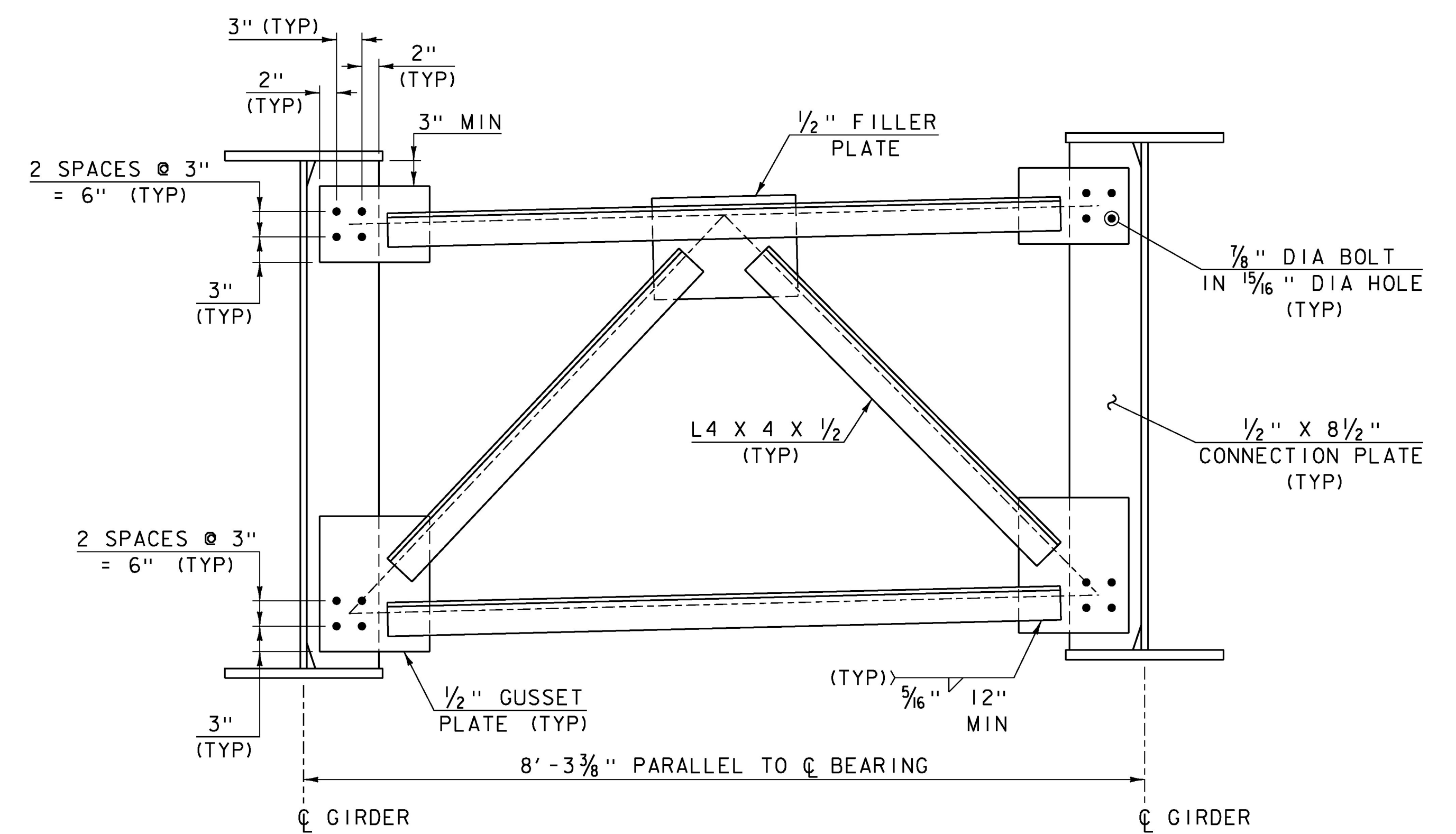


ABUTMENT NO 1 / PIER CROSSFRAME
SCALE: 1" = 1'-0"



INTERMEDIATE CROSSFRAME
SCALE: 1" = 1'-0"

PROJECT NAME:	RUTLAND CITY
PROJECT NUMBER:	BRF 3000 (16)
FILE NAME: s94j092sup.dgn	PLOT DATE: 03-JUL-2014
PROJECT LEADER: C. CARLSON	DRAWN BY: G. ROY
DESIGNED BY: M. EVANS-MONGEON	CHECKED BY: M. EVANS-MONGEON
CROSSFRAME DETAILS	SHEET 167 OF 245