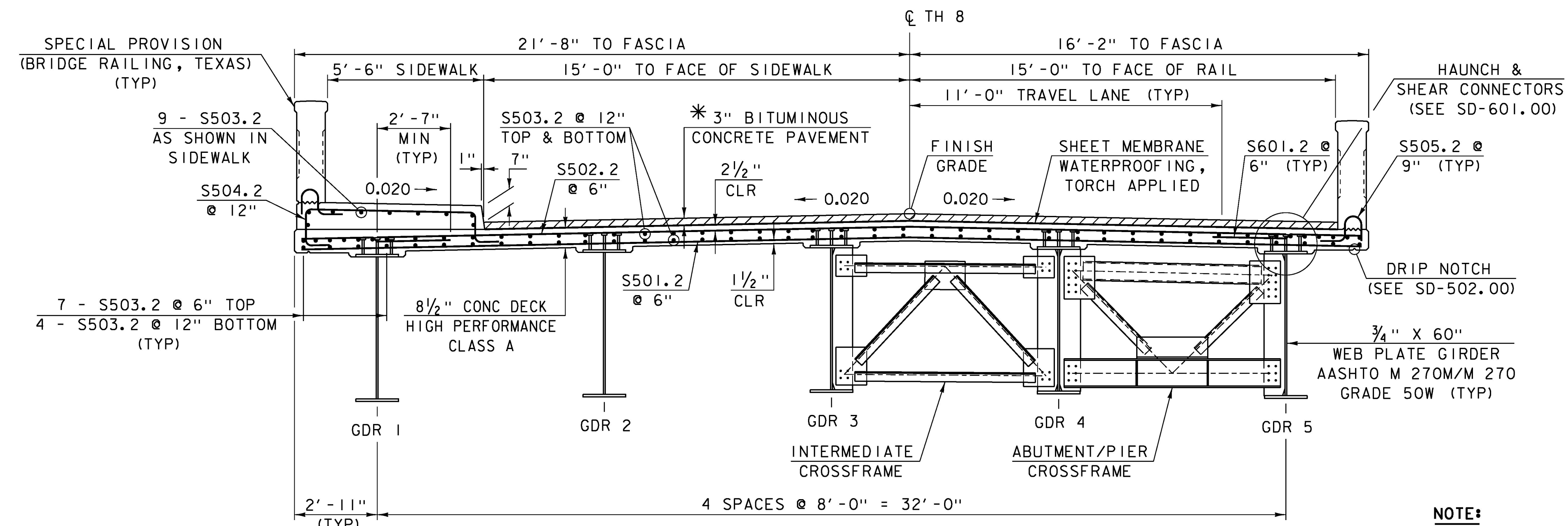
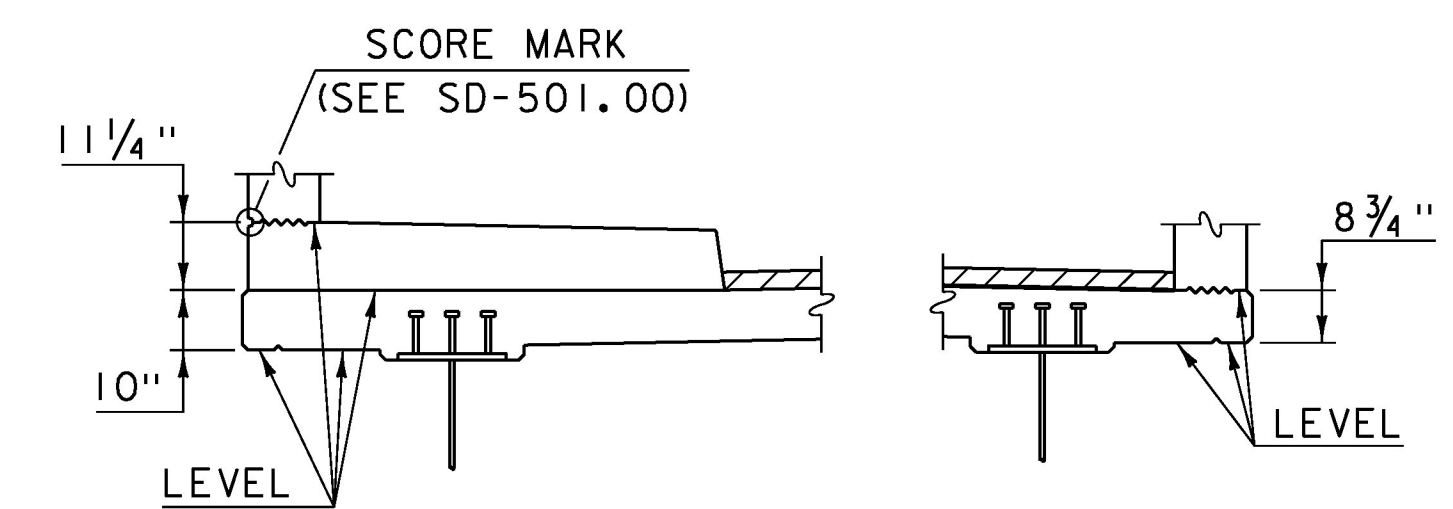


DECK REINFORCING PLAN
 HORIZONTAL SCALE: 1" = 10'-0"
 VERTICAL SCALE: 1" = 5'-0"



BRIDGE TYPICAL SECTION
 SCALE: 3/8" = 1'-0"



FASCIA DETAILS
 SCALE: 3/8" = 1'-0"

NOTE:
 3" CLR UNLESS OTHERWISE NOTED.

PROJECT NAME: RUTLAND CITY	PLOT DATE: 03-JUL-2014
PROJECT NUMBER: BRF 3000 (16)	DRAWN BY: G. ROY
FILE NAME: s94j092sup.dgn	CHECKED BY: M. EVANS-MONGEON
PROJECT LEADER: C. CARLSON	SHEET 163 OF 245
DESIGNED BY: M. EVANS-MONGEON	