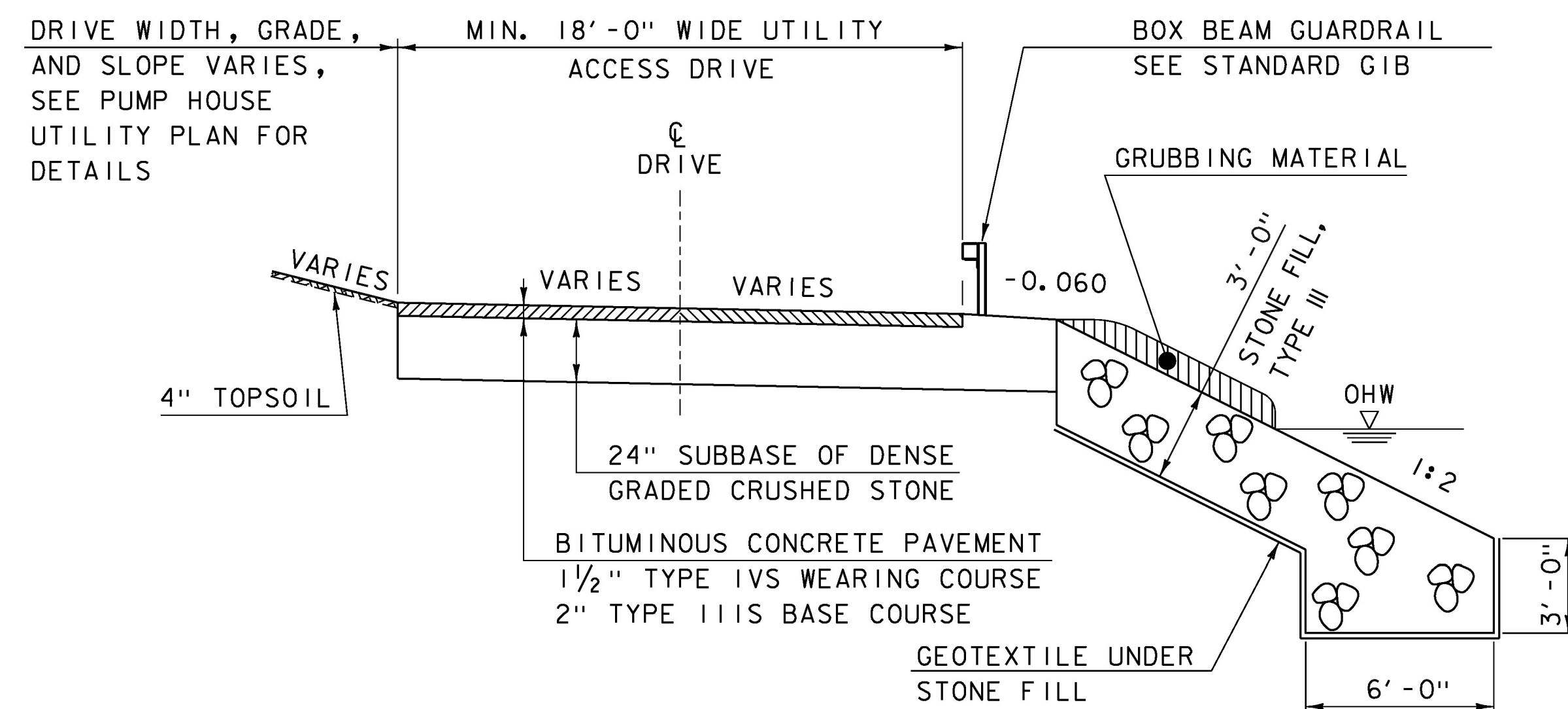


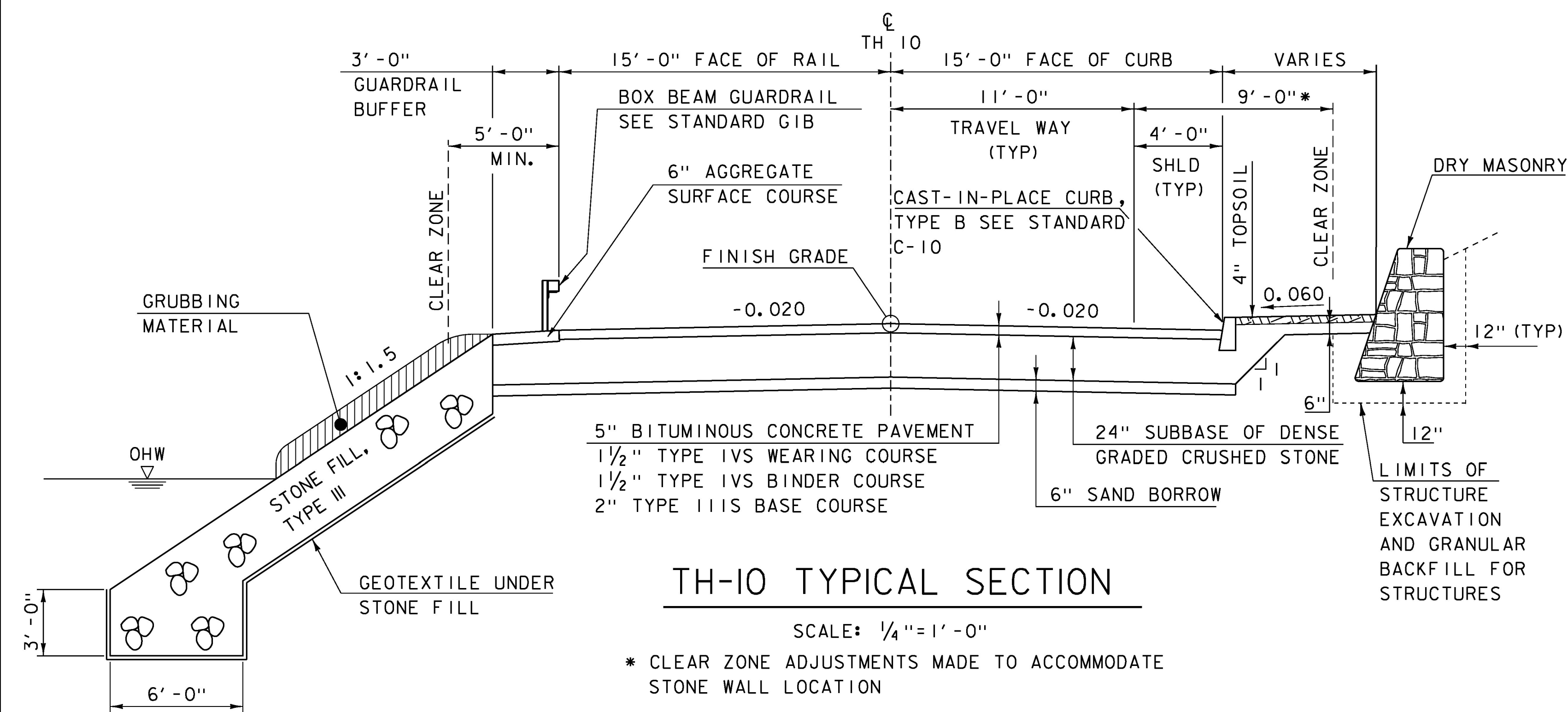
TH-8 TYPICAL SECTION

SCALE: 1/4" = 1'-0"



PUMP HOUSE DRIVE TYPICAL SECTION

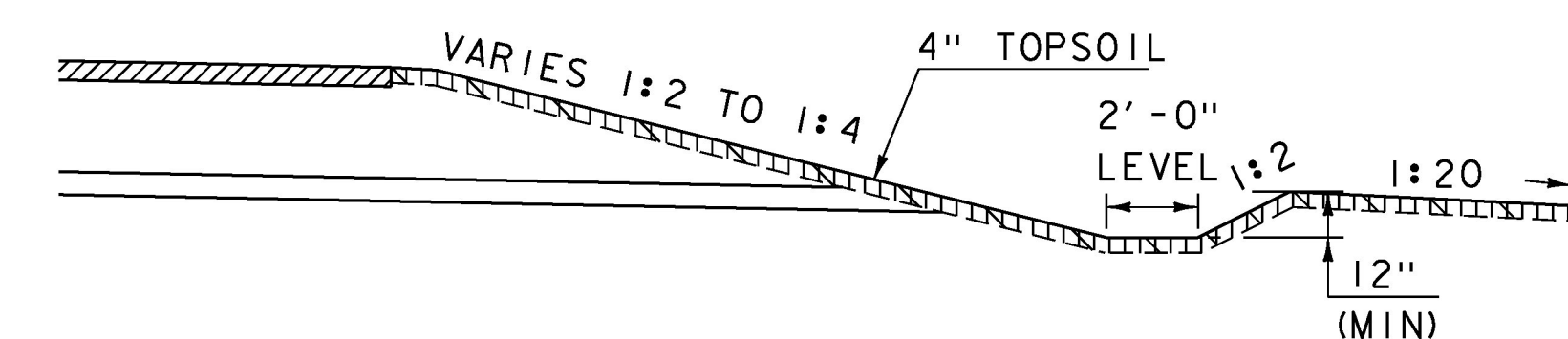
SCALE: 1/4" = 1'-0"



TH-10 TYPICAL SECTION

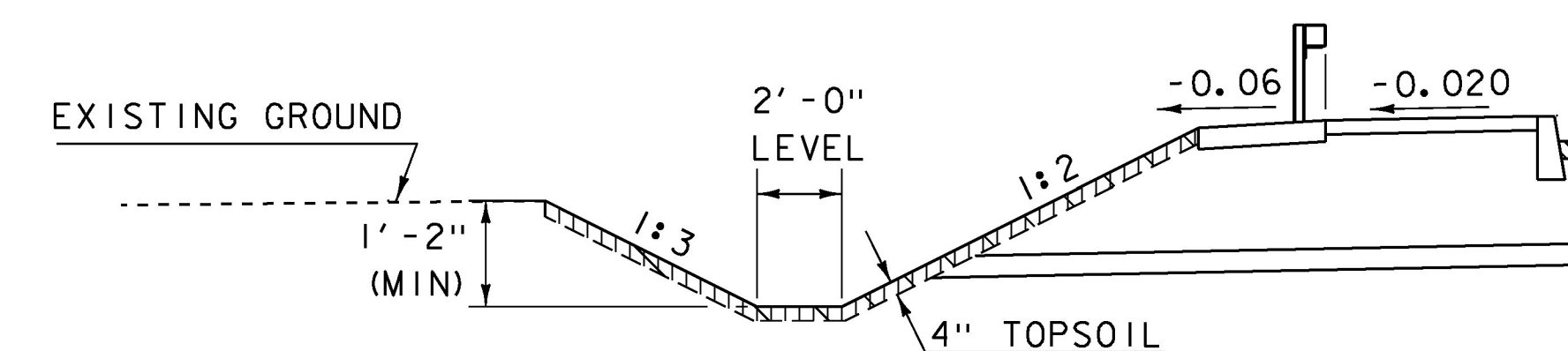
SCALE: 1/4" = 1'-0"

* CLEAR ZONE ADJUSTMENTS MADE TO ACCOMMODATE STONE WALL LOCATION



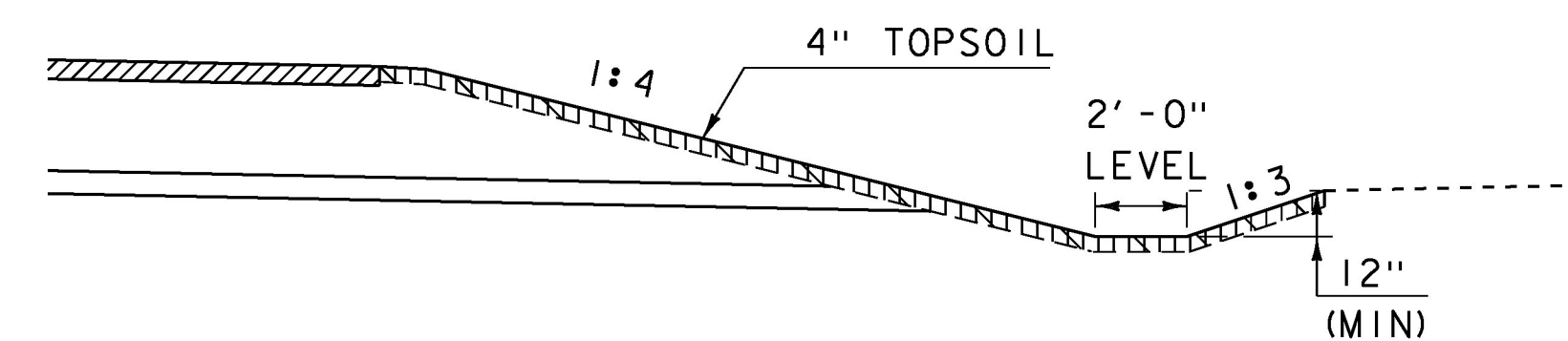
GRASS CHANNEL 3 TYPICAL SECTION

SCALE: 1/4" = 1'-0"



GRASS CHANNEL 4 TYPICAL SECTION

SCALE: 1/4" = 1'-0"

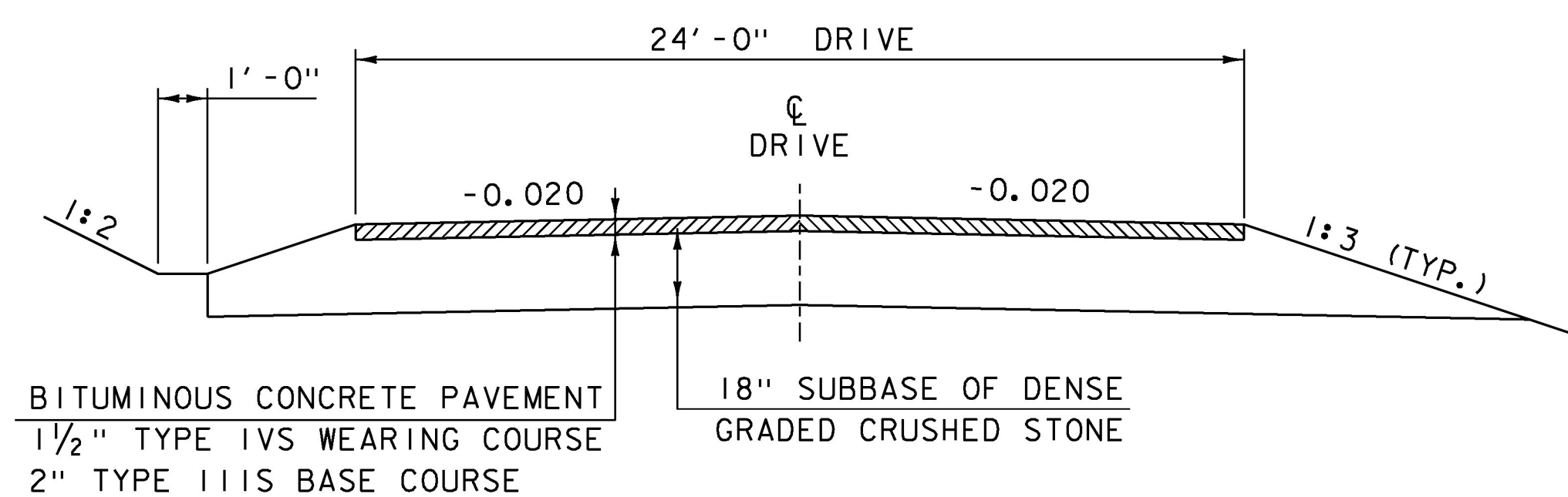


GRASS CHANNEL 5 TYPICAL SECTION

SCALE: 1/4" = 1'-0"

MATERIAL TOLERANCES
(IF USED ON PROJECT)

SURFACE	
- PAVEMENT (TOTAL THICKNESS)	+/- 1/4"
- AGGREGATE SURFACE COURSE	+/- 1/2"
SUBBASE	+/- 1"
SAND BORROW	+/- 1"



TYPICAL SECTION DRIVES
AT STA 104+50 LT AND 107+71LT

SCALE: 1/4" = 1'-0"

PROJECT NAME: RUTLAND CITY
PROJECT NUMBER: BRF 3000 (16)

FILE NAME: s94j092+yp.dgn
PROJECT LEADER: C. CARLSON
DESIGNED BY: M. EVANS-MONGEON
TYPICAL SECTIONS

PLOT DATE: 03-JUL-2014
DRAWN BY: M. LONGSTREET
CHECKED BY: EVANS-MONGEON
SHEET 125 OF 245