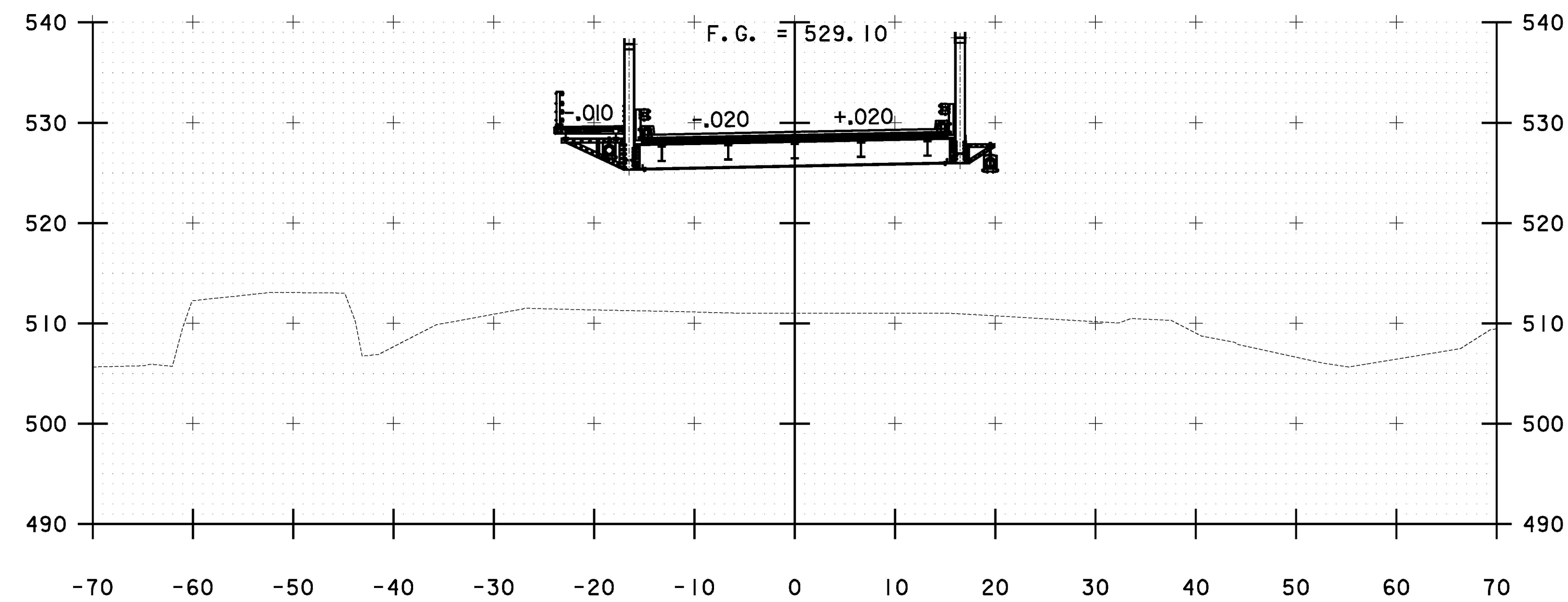
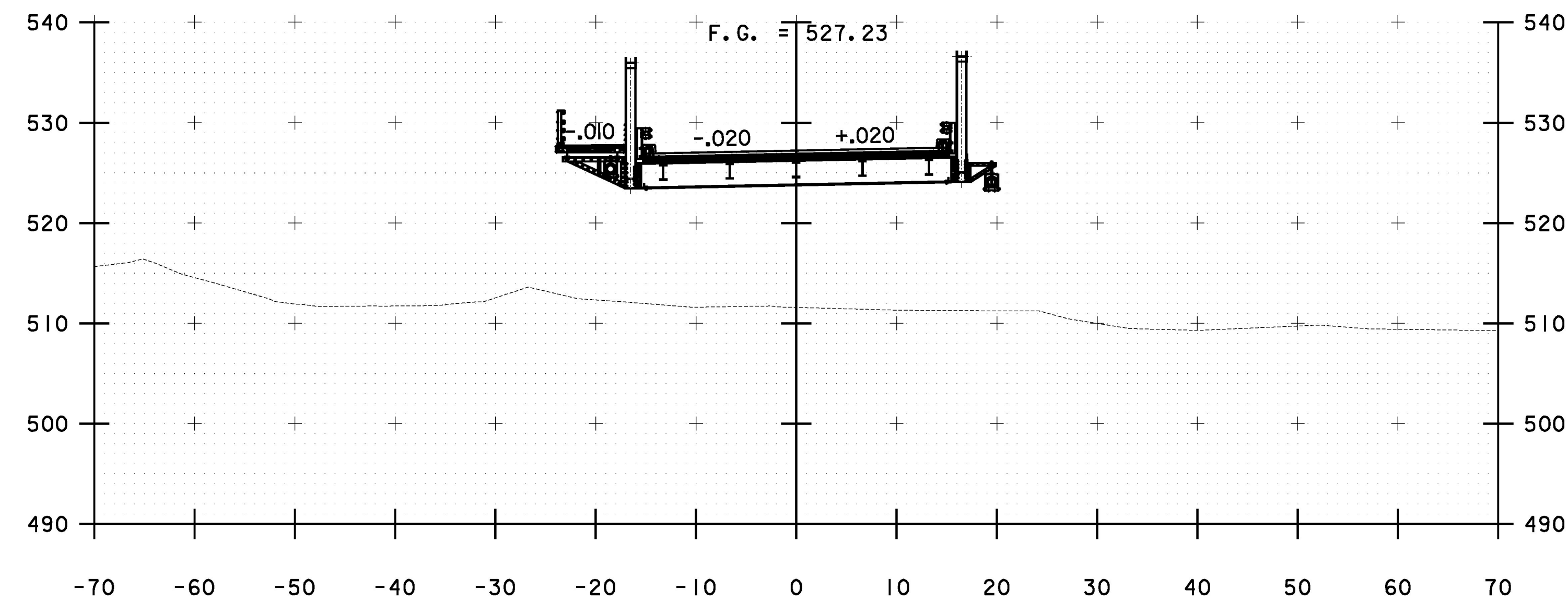


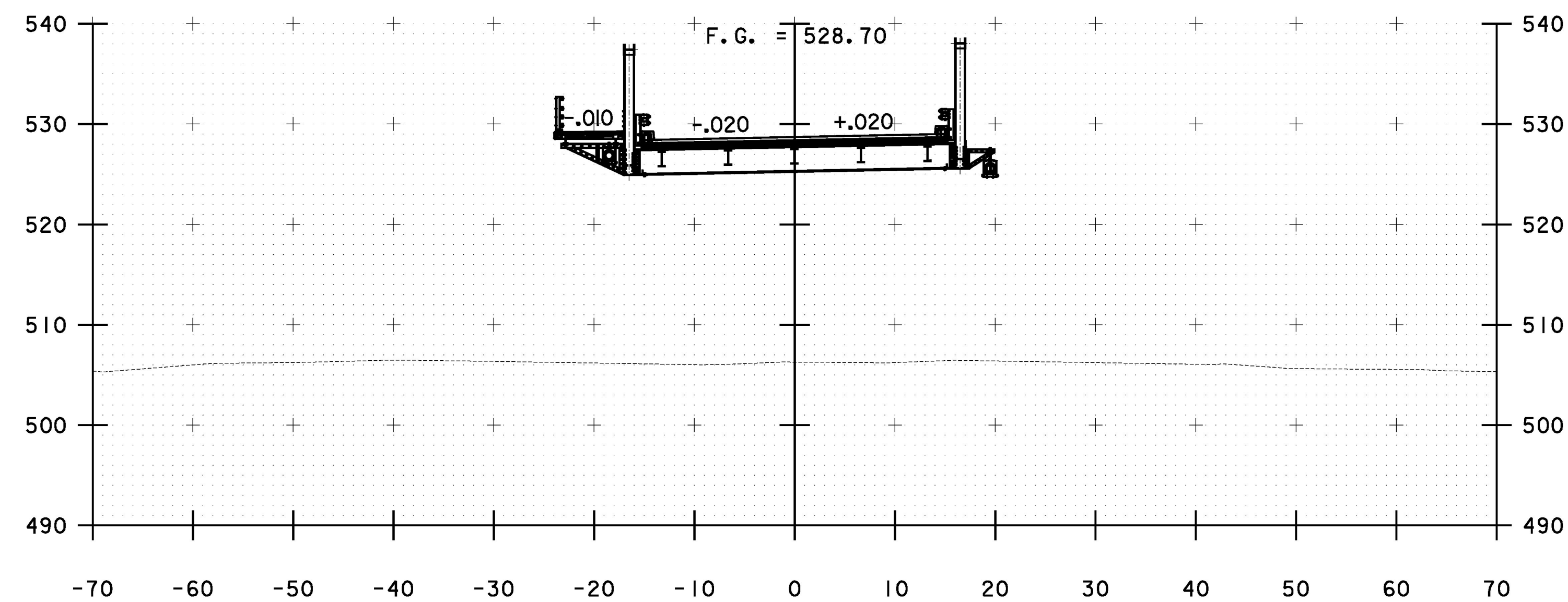
FILE NAME = W:\P\Projects\BRF3000\19\TH10\CROSS\TH10\TH10.dgn
 DATE/TIME = 6/30/2014
 USER = 4916



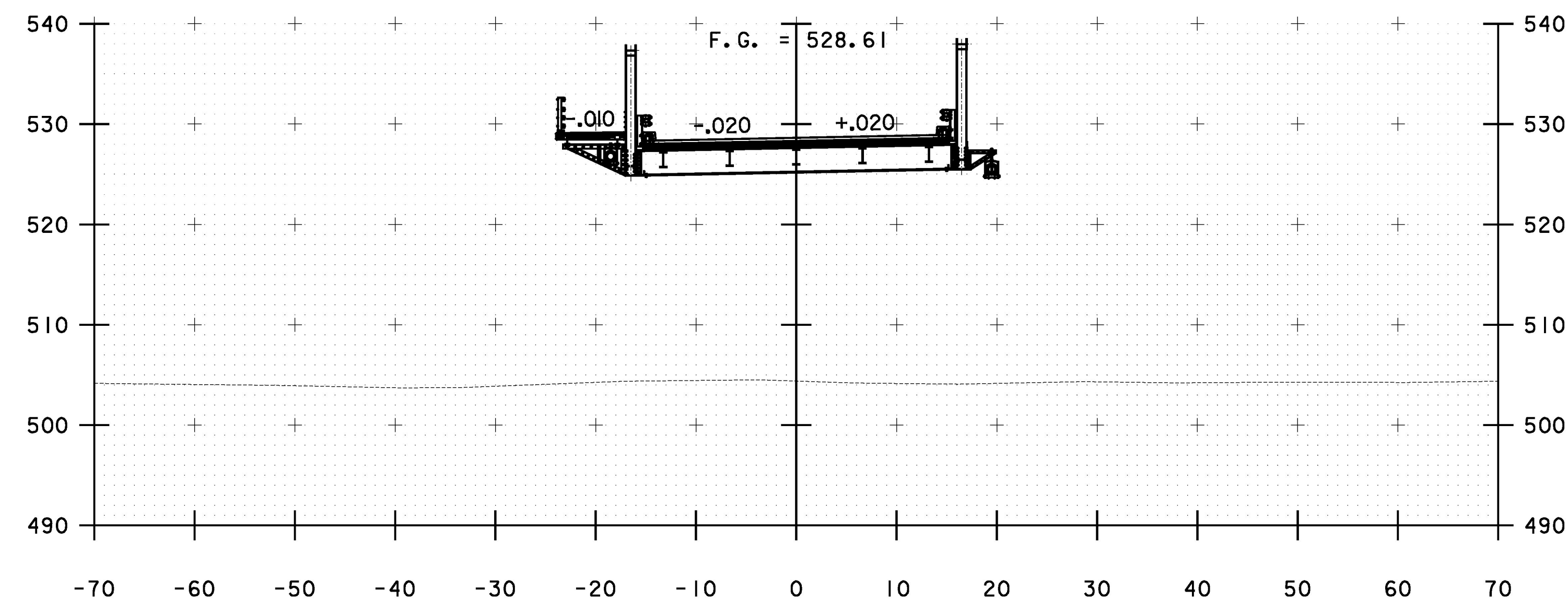
8+50



9+50



8+00



9+00

NOTE:

I. EXISTING UTILITIES INCLUDING WATER, SANITARY SEWER AND STORM SEWER PIPES ARE SHOWN IN THEIR APPROXIMATE LOCATIONS. THE CONTRACTOR IS RESPONSIBLE FOR CONFIRMING THE LOCATIONS OF ALL UTILITIES AT LEAST 48 HOURS PRIOR TO COMMENCING EXCAVATION OPERATIONS BY CONTACTING "DIG SAFE" AT (888) 344-7233.



SCALE IN FEET



STA. 8+00 TO STA. 9+50

**TH 10
 CROSS
 SECTIONS #4**

PROJECT NAME: RUTLAND CITY
 PROJECT NUMBER: BRF 3000 (19)

PROJECT LEADER: M.D.S.
 DESIGNED BY: C.R.H.
 DWG. NO.: TH10XS-4

PLOT DATE: 6/30/2014
 DRAWN BY: C.R.H.
 CHECKED BY: D.E.G.
 SHEET 84 OF 245