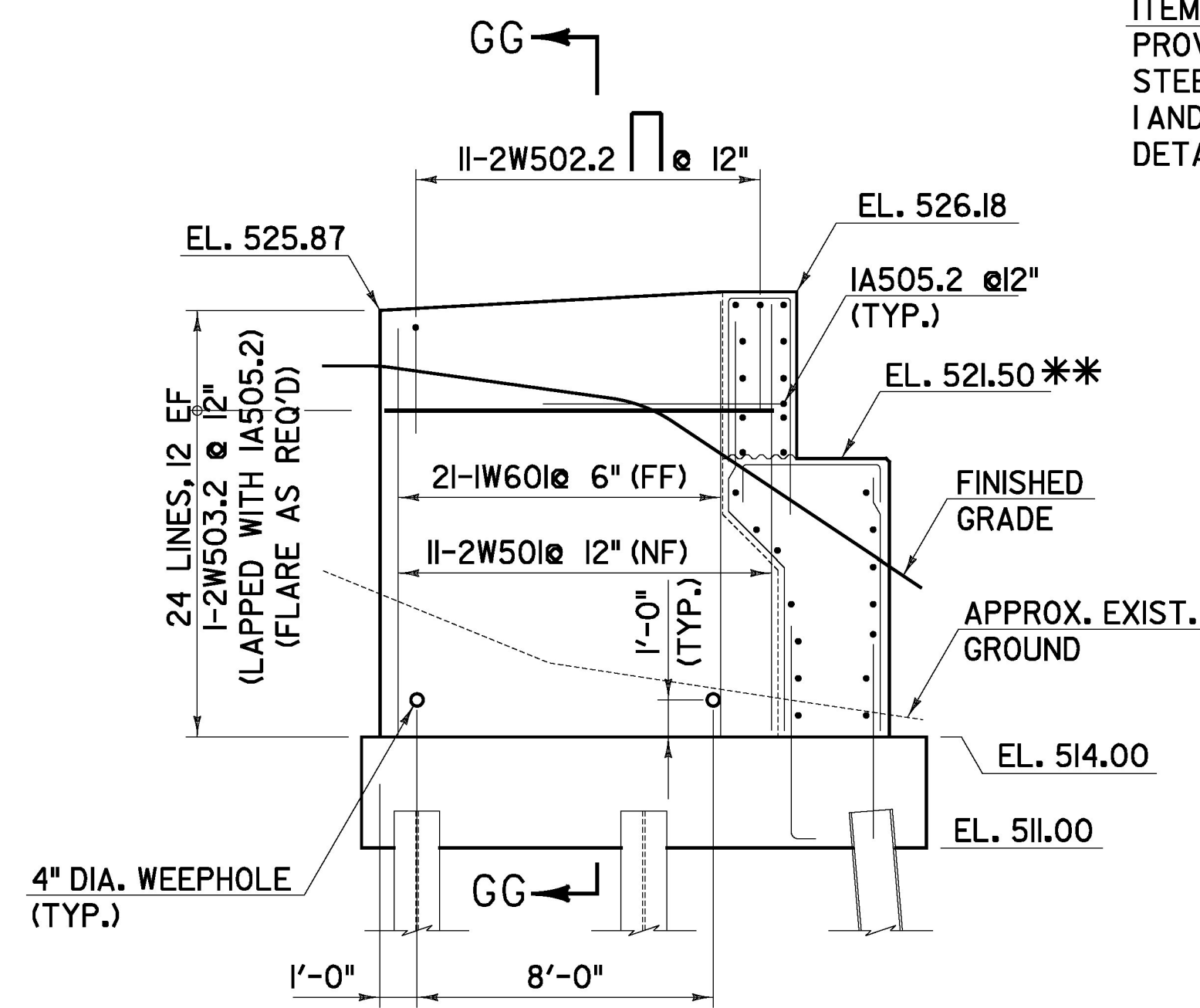


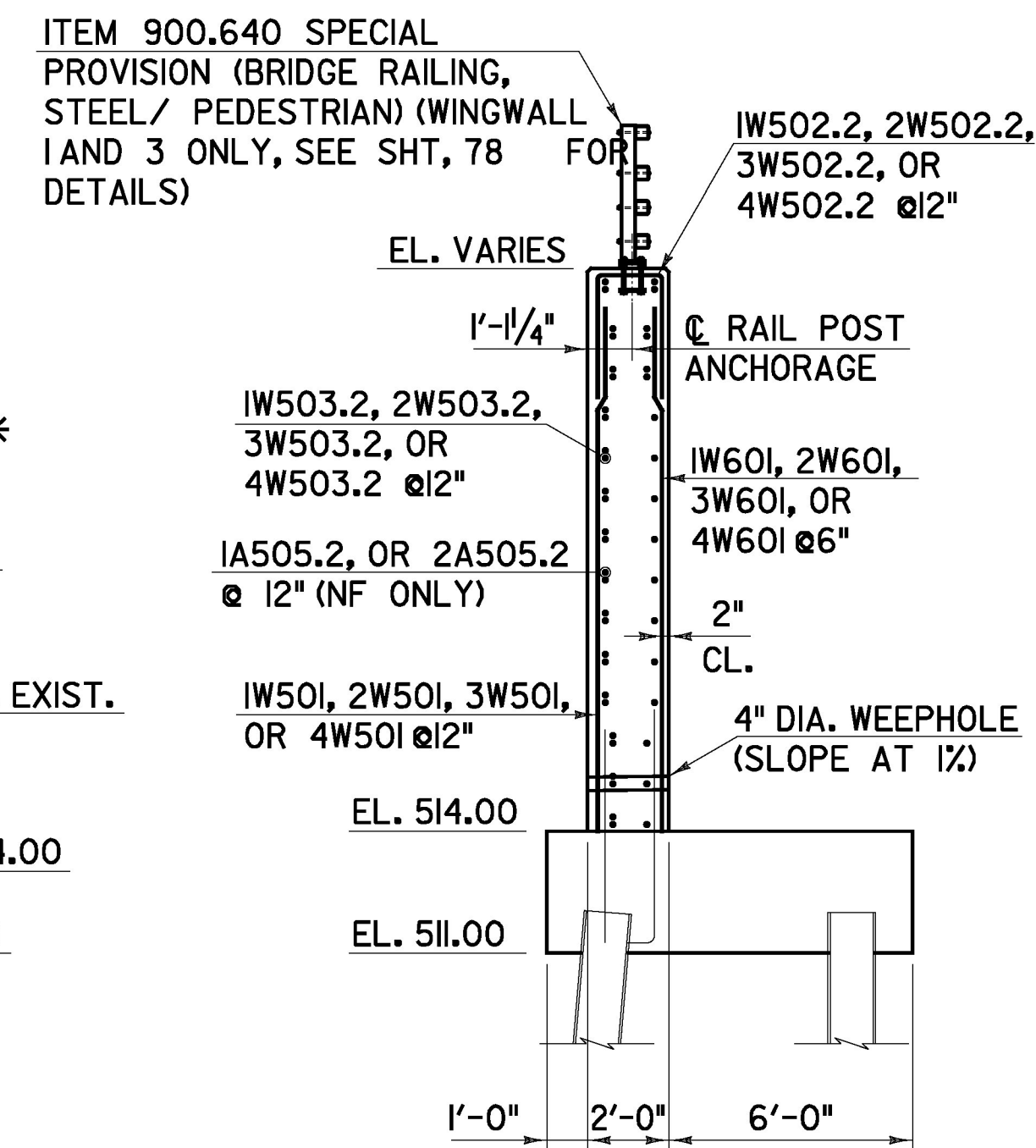
**WINGWALL 1 ELEVATION**

SCALE 1/4" = 1'-0"  
1 0 2 4 6



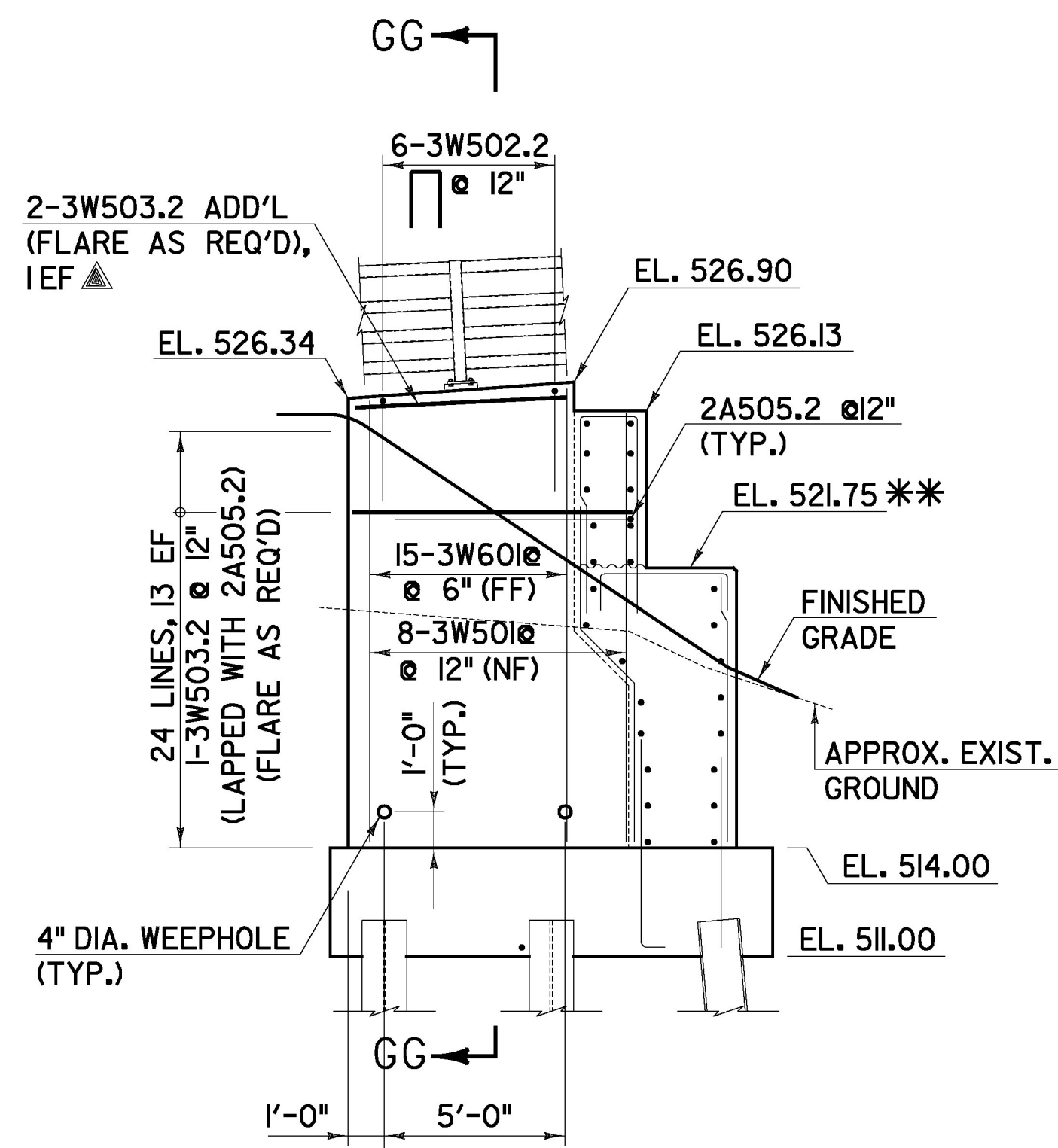
**WINGWALL 2 ELEVATION**

SCALE 1/4" = 1'-0"  
1 0 2 4 6



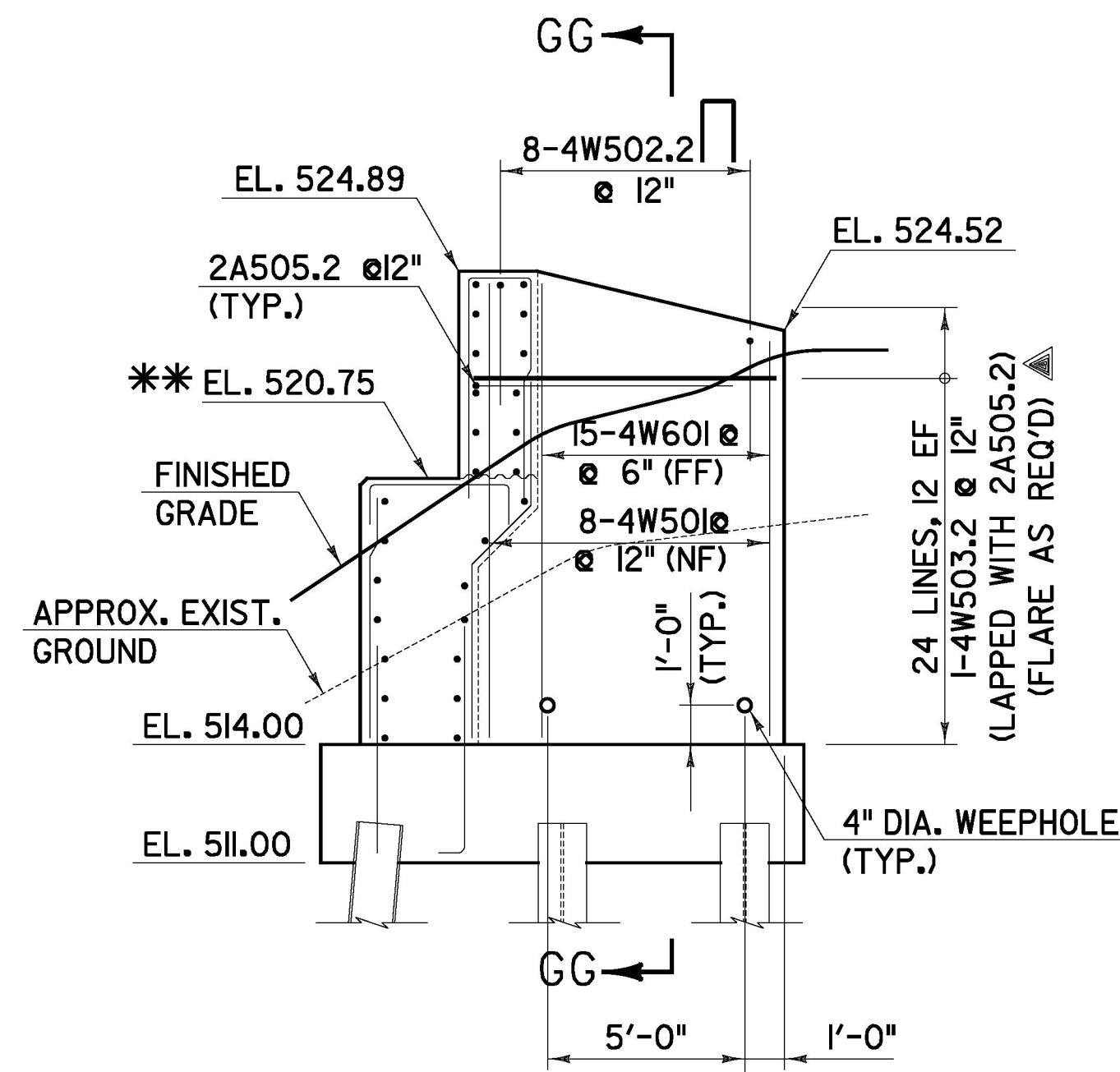
**SECTION GG-GG**

SCALE 1/4" = 1'-0"  
1 0 2 4 6



**WINGWALL 3 ELEVATION**

SCALE 1/4" = 1'-0"  
1 0 2 4 6



**WINGWALL 4 ELEVATION**

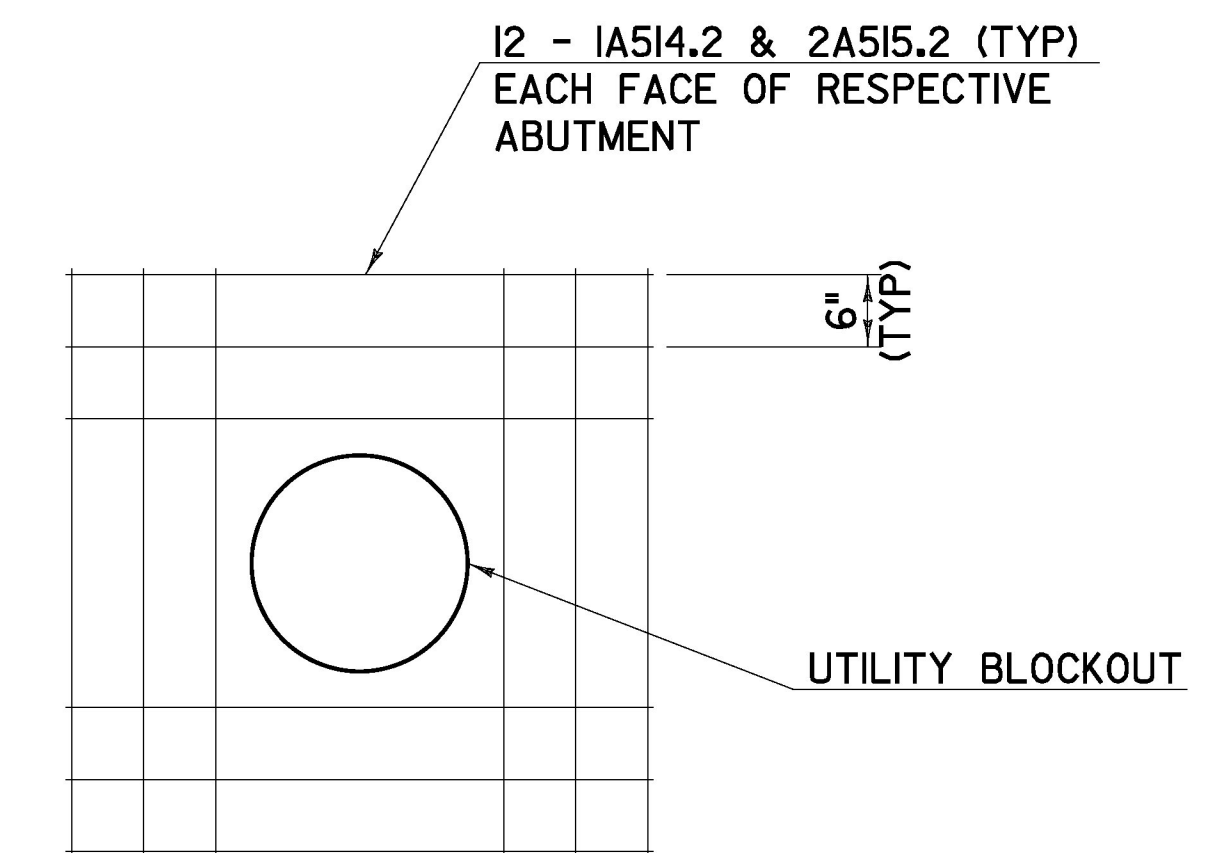
SCALE 1/4" = 1'-0"  
1 0 2 4 6

**NOTES:**

1. ALL SUBSTRUCTURE CONCRETE SHALL BE HIGH PERFORMANCE CLASS B AND SHALL BE PAID FOR UNDER ITEM 501.34 CONCRETE, HIGH PERFORMANCE CLASS B.
2. HORIZONTAL WINGWALL REINFORCING WHICH PENETRATES THE BACKWALL ABOVE THE BRIDGE SEAT (MARK SUFFIX .2) SHALL HAVE LEVEL II CORROSION PROTECTION AND SHALL BE PAID FOR UNDER ITEM 507.12 REINFORCING STEEL, LEVEL II. ALL OTHER WINGWALL REINFORCING SHALL BE PLAIN AND SHALL BE PAID FOR UNDER ITEM 507.11 REINFORCING STEEL, LEVEL I.
3. 2" CL. FOR WINGWALLS EXCEPT 3" CL. IN FOOTINGS.

\*\* - ELEVATIONS ARE ASSUMED AND MAY REQUIRE REVISION AFTER PREFABRICATED TRUSS IS SELECTED. IT IS CONTRACTOR'S RESPONSIBILITY TO PROVIDE CURRENT ELEVATIONS AND REVISE REINFORCEMENT DETAILS (IF NECESSARY) AT NO ADDITIONAL COST TO THE STATE OF VERMONT.

ITEM 900.640 SPECIAL PROVISION (BRIDGE RAILING, STEEL/ PEDESTRIAN) (WINGWALL 1 AND 3 ONLY, SEE SHT, 78 DETAILS)



**BLOCKOUT REINFORCING DETAIL**

NOT TO SCALE

**LEGEND**

- NF = NEAR FACE
- FF = FAR FACE
- EF = EACH FACE
- ▲ = CUT IN FIELD
- EST = ESTIMATED QUANTITY



<b>WINGWALL DETAILS</b>	PROJECT NAME: RUTLAND CITY	PLOT DATE: 6/30/2014
	PROJECT NUMBER: BR 3000 (19)	DRAWN BY: D.M.D.
	PROJECT LEADER: M.D.S.	CHECKED BY: P.M.P.
	DESIGNED BY: D.M.D.	DWG. NO.:
		SHEET 74 OF 245